

8P1P YYY 200 YRB 01

SERIES 14.00 [0.551]  
 # OF POSITIONS (Ex. 002)  
 \*\*SEE CHART A\*\*  
 2 = FEMALE  
 SOLDER CUP (PANEL MOUNT)  
 PLASTIC SHELL  
 1 = GOLD FLASH  
 RoHS COMPLIANT  
 NUT "B" COLOR  
 G = GREY  
 A = BLUE  
 J = YELLOW  
 N = BLACK  
 R = RED  
 V = GREEN

CHARACTERISTICS

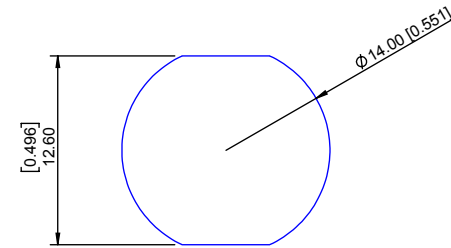
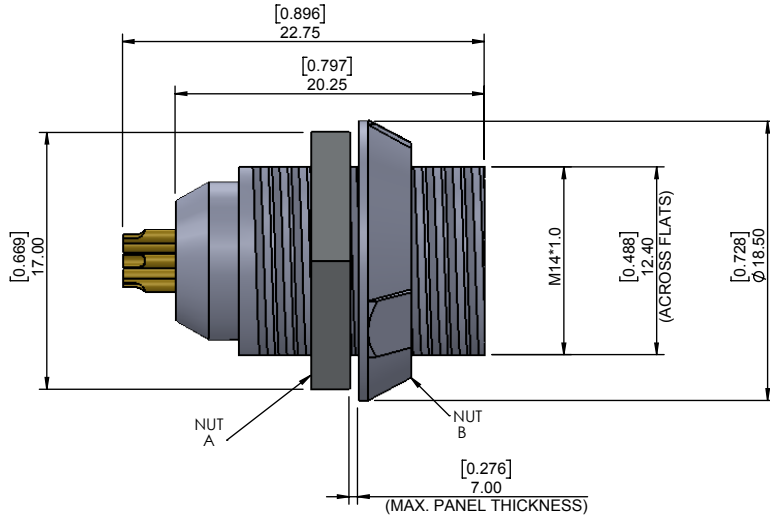
MATERIALS

HOUSING : ABS+PC  
 HOUSING COLOR : GREY  
 NUT A : BRASS  
 NUT A PLATING : NICKEL  
 CONTACTS : COPPER ALLOY  
 CONTACT PLATING : 7µ" GOLD PLATED OVER 196µ" NICKEL MIN.  
 INSULATOR : PPS (HIGH TEMPERATURE)

MECHANICAL

DURABILITY: 2000 CYCLES  
 OPERATING TEMP. RANGE: -20° C ~ +120° C  
 PROCESS TEMPERATURE : 260°C FOR 5 SECONDS  
 MAX. TORQUE VALUE : 0.7 Nm [6.19 IN/lbs]

IP RATING: 50



PANEL CUTOUT

TOLERANCE = +0.10, -0.0  
 [+0.004, -0.00]

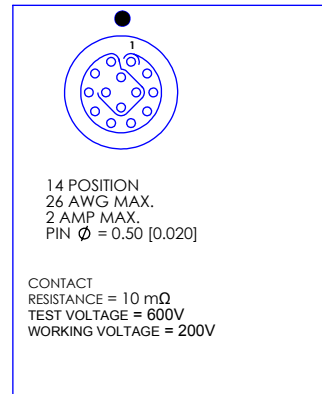


CHART A

● = KEY LOCATION

\*\*VIEW FROM TERMINATION END\*\*

<p>2 POSITION                  22 AWG MAX.                  10 AMP MAX.                  PIN Ø = 1.30 [0.051]</p> <p>CONTACT                  RESISTANCE = 5 mΩ                  TEST VOLTAGE = 1200V                  WORKING VOLTAGE = 400V</p>	<p>3 POSITION                  22 AWG MAX.                  10 AMP MAX.                  PIN Ø = 1.30 [0.051]</p> <p>CONTACT                  RESISTANCE = 5 mΩ                  TEST VOLTAGE = 1200V                  WORKING VOLTAGE = 400V</p>	<p>4 POSITION                  22 AWG MAX.                  8 AMP MAX.                  PIN Ø = 0.90 [0.035]</p> <p>CONTACT                  RESISTANCE = 6 mΩ                  TEST VOLTAGE = 1200V                  WORKING VOLTAGE = 400V</p>	<p>5 POSITION                  22 AWG MAX.                  7 AMP MAX.                  PIN Ø = 0.90 [0.035]</p> <p>CONTACT                  RESISTANCE = 6 mΩ                  TEST VOLTAGE = 1050V                  WORKING VOLTAGE = 350V</p>	<p>6 POSITION                  24 AWG MAX.                  6 AMP MAX.                  PIN Ø = 0.70 [0.028]</p> <p>CONTACT                  RESISTANCE = 7.5 mΩ                  TEST VOLTAGE = 1050V                  WORKING VOLTAGE = 350V</p>	<p>7 POSITION                  24 AWG MAX.                  5 AMP MAX.                  PIN Ø = 0.70 [0.028]</p> <p>CONTACT                  RESISTANCE = 7.5 mΩ                  TEST VOLTAGE = 1050V                  WORKING VOLTAGE = 350V</p>	<p>8 POSITION                  24 AWG MAX.                  5 AMP MAX.                  PIN Ø = 0.70 [0.028]</p> <p>CONTACT                  RESISTANCE = 7.5 mΩ                  TEST VOLTAGE = 1050V                  WORKING VOLTAGE = 350V</p>	<p>9 POSITION                  26 AWG MAX.                  3 AMP MAX.                  PIN Ø = 0.50 [0.020]</p> <p>CONTACT                  RESISTANCE = 10 mΩ                  TEST VOLTAGE = 850V                  WORKING VOLTAGE = 280V</p>	<p>10 POSITION                  26 AWG MAX.                  3 AMP MAX.                  PIN Ø = 0.50 [0.020]</p> <p>CONTACT                  RESISTANCE = 10 mΩ                  TEST VOLTAGE = 850V                  WORKING VOLTAGE = 280V</p>
---	---	--	--	--	--	--	--	---

RoHS COMPLIANT



THESE DRAWINGS AND SPECIFICATIONS ARE THE PROPERTY OF NorComp AND SHALL NOT BE REPRODUCED, COPIED OR USED AS THE BASIS FOR THE MANUFACTURE OR SALE OF APPARATUS WITHOUT WRITTEN PERMISSION.

NorComp

DRAWN: M. SIGMON	DATE: 07-29-16	SCALE: N.T.S.	SHEET 1 OF 1	REV: 2
DWG NO. 8P1PYYY200YRB01				