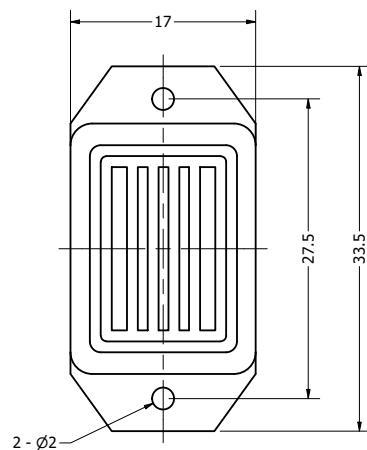
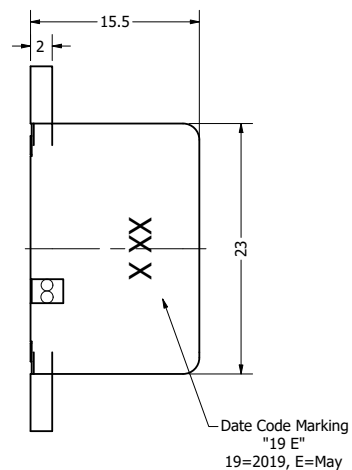


Part Number:	IE330403-1	
	DRAWN	5/20/2019
Description:	Electro-Mechanical Indicator	
	CHECKED	5/21/2019
	C.H.	
	APPROVED	5/21/2019
	C.E.	
<small>This document contains data proprietary to DB Unlimited. Any use or reproduction, in any form, without prior written permission of DB Unlimited is prohibited. All terms and conditions can be found at www.dbunlimitedco.com</small>		

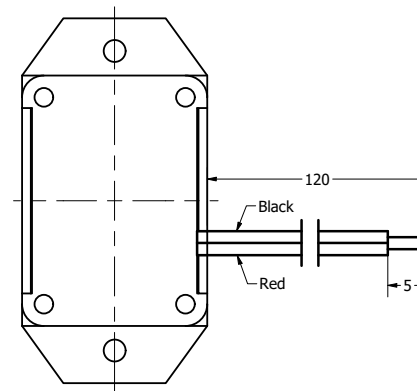
Top View



Side View



Bottom View



Items	Specifications	Conditions	REVISION HISTORY		
Min. Sound Pressure Level	70	dB (@ 10cm)			
Tone	Single				
Resonant Frequency	400	Hz			
Rated Voltage	3	V	REV	DESCRIPTION	DATE
Voltage Range	2 ~ 4	V		Released from Engineering	10/21/2013
Max. Rated Current	20	mA	1	Updated to new drawing template, weight, temps	5/21/2019
Storage Temperature	-20 ~ +70	°C	2	Updated max. rated current	11/16/2021
Operating Temperature	-20 ~ +65	°C			
Connection Method	Lead Wires		NOTES		
Mount Type	Flange Mount		1) All dimensions are in mm unless otherwise noted		
Housing Material	ABS		2) All tolerances are ± 0.5 mm unless otherwise noted		
Weight	8	g	3) All parts meet RoHS		
			4) Subject to change or redrawn without notice		