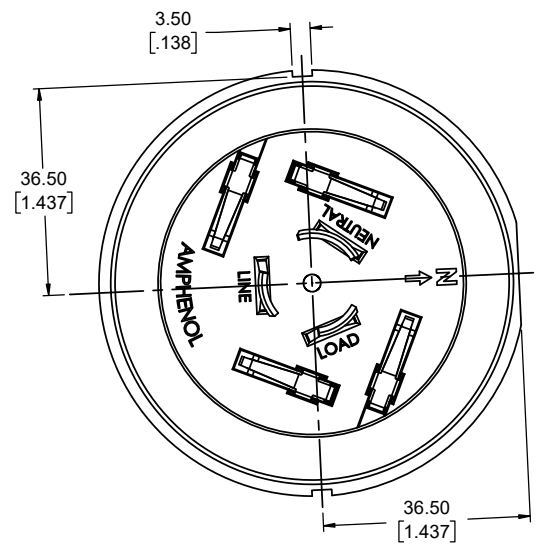
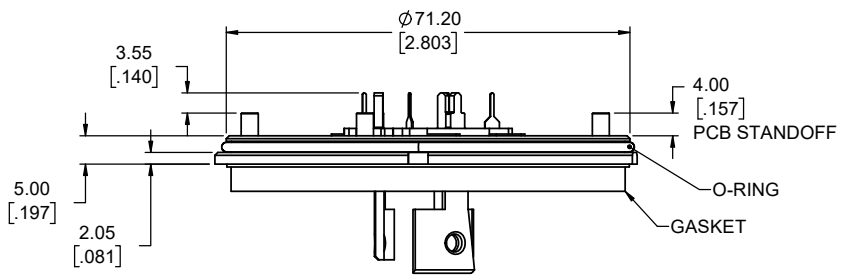
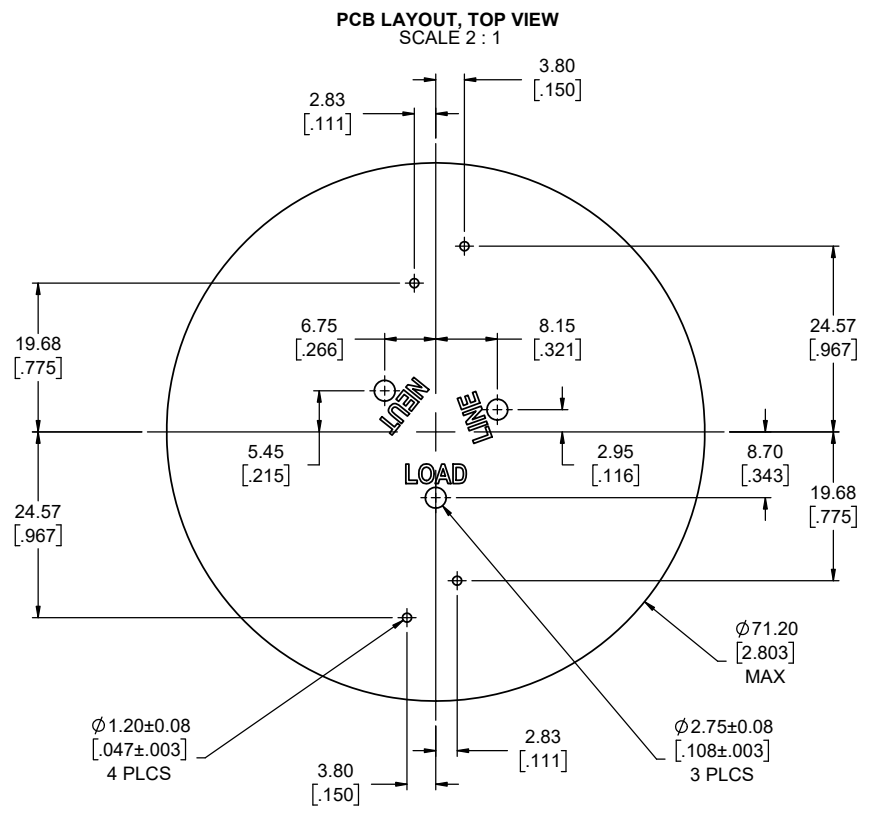
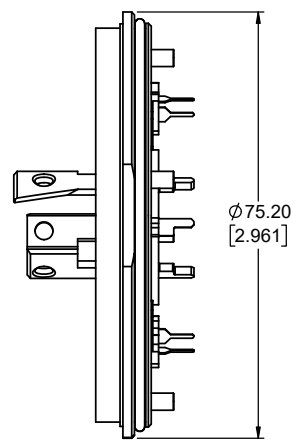


REVISIONS			
REV	DESCRIPTION, ECN, EAR NO.	DATE	APP'D
J	PRODUCT DRAWING (EAR 14970)	MAY07/21	M.P.
K	PRODUCT DRAWING (EAR 14993)	JUN15/21	M.P.



FLB-P77-001 SHOWN
4 DIMMING CONTACTS



NOTES:

- MATERIALS:** ALL MATERIALS ARE RoHS COMPLIANT PER EU DIRECTIVE 2011/65/EU & AMENDMENTS.
 - HOUSING: ENGINEERING THERMOPLASTIC, UL94V-0 FLAMMABILITY RATING, COLOUR BLACK
 - POWER CONTACT: COPPER ALLOY, PLATED WITH TIN OVER NICKEL
 - DIMMABLE CONTACT: COPPER ALLOY, PLATED WITH 0.76µm (30µ") GOLD OVER 1.27µm (50µ") NICKEL.
 - GASKET: REFER TO ORDERING CODE, UL94V-0 FLAMMABILITY RATING, COLOUR BLACK
 - O-RING: SILICONE RUBBER, UL94V-0 FLAMMABILITY RATING, COLOUR BLACK
- ELECTRICAL CHARACTERISTICS:**
 - POWER CONTACTS:
 - CURRENT RATING: 15 A MAX
 - VOLTAGE RATING: 480 VAC/DC
 - DIMMING CONTACTS:
 - CURRENT RATING: 1.5 A MAX
 - VOLTAGE RATING: 30 VDC
- SPECIFICATIONS:**
 - ANSI C136.41
 - ANSI C136.10
 - UL 773

ENVIRONMENTAL CHARACTERISTICS:

GASKET MATERIAL	IP RATING* (PER IEC 60529)	OPERATING TEMPERATURE
EPDM	IP53	-40 TO +65°C
SILICONE RUBBER	IP66	-40 TO +85°C

*WHEN ASSEMBLED WITH AMPHENOL DOME / COVER & MATED TO ANSI C136.41 COMPLIANT RECEPTACLE.

5. COMPATIBLE DOME / COVER CAN BE ORDERED SEPARATELY, REFER TO DRAWING NO.: P-FLB-C70-XXX-001.

ORDERING CODE: **FLB - P 7 X - 0X 1**

FLB SERIES ANSI C136.41

BASE (PLUG)

76mm BASE DIAMETER

NUMBER OF CONTACTS
0 = 3 POWER CONTACTS ONLY
5 = 3 POWER & 2 DIMMING CONTACTS
7 = 3 POWER & 4 DIMMING CONTACTS

GASKET MATERIAL
00 = EPDM
01 = SILICONE RUBBER

NON-VENTED



UNLESS SPECIFIED OTHERWISE	DRAWN	S. MUGAN	MAY12/20
PRIMARY UNITS MILLIMETERS	CHECKED	A. GREEN	MAY12/20
SECONDARY UNITS INCHES	M.E. APP'D		
REFERENCE IN PARENTHESES	Q.A. APP'D		
GENERAL TOLERANCES	DWG APPR.		
1 DECIMAL PLACE ±0.3	ENG. REL. NO.		
2 DECIMAL PLACES	REF.		
3 DECIMAL PLACES	THIRD ANGLE PROJECTION	DO NOT SCALE DRAWING	
ANGULAR DEGREES			

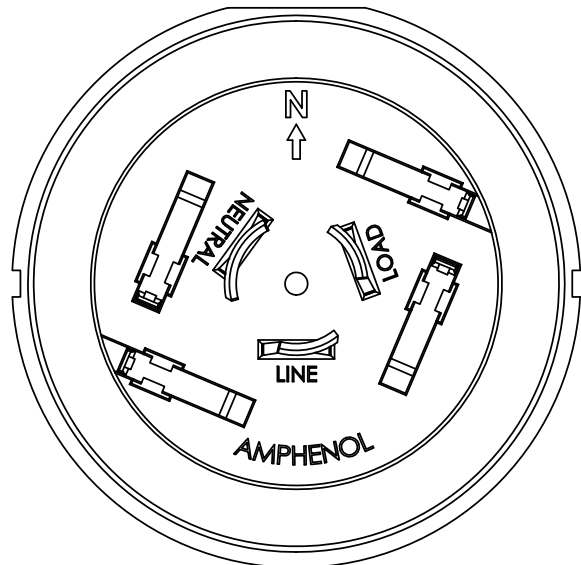
Amphenol Canada Corp.
Commercial Products

FLB SERIES, DIMMING CONTROL, LOCKING TYPE BASE, RoHS COMPLIANT

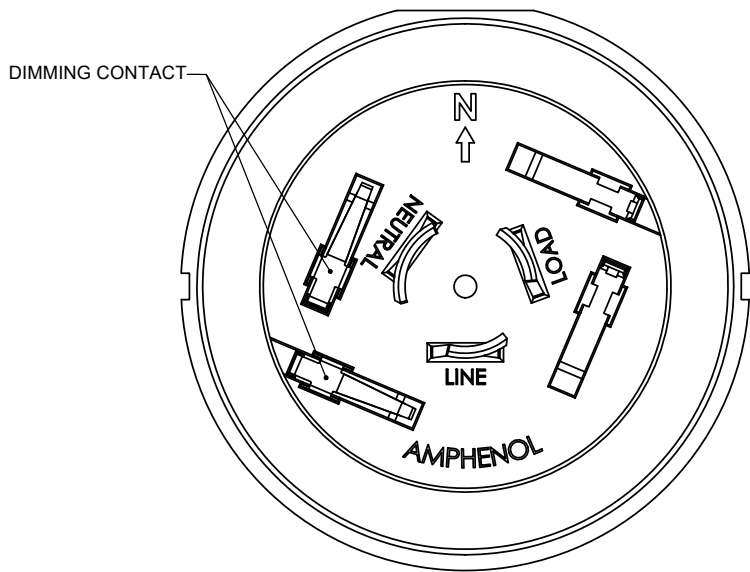
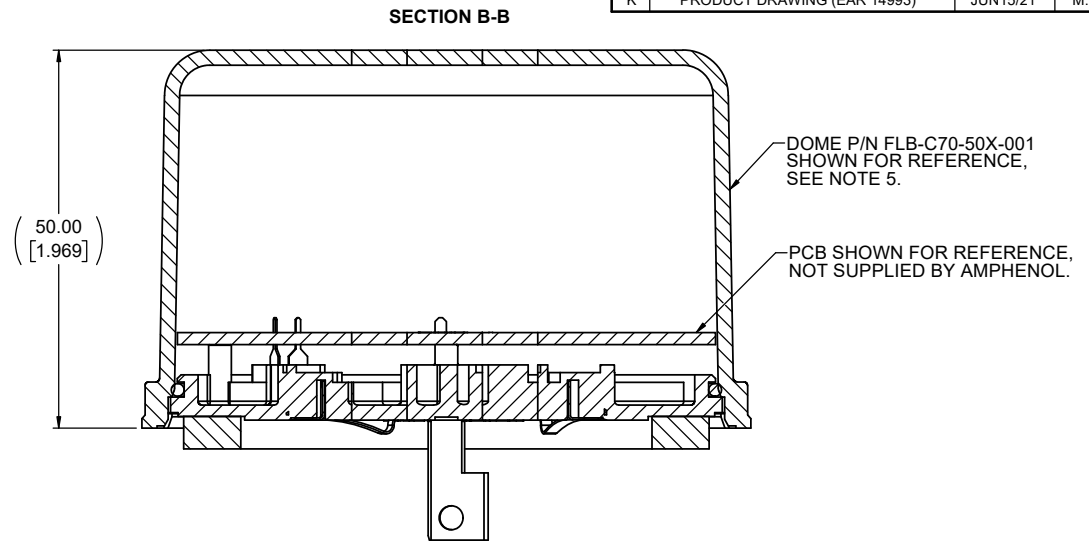
DWG. NO. **P-FLB-P7X-0X1** REV **K**

CODE ID NO. 03554 DWG SIZE: X SCALE: 3:2 SHEET 1 OF 2

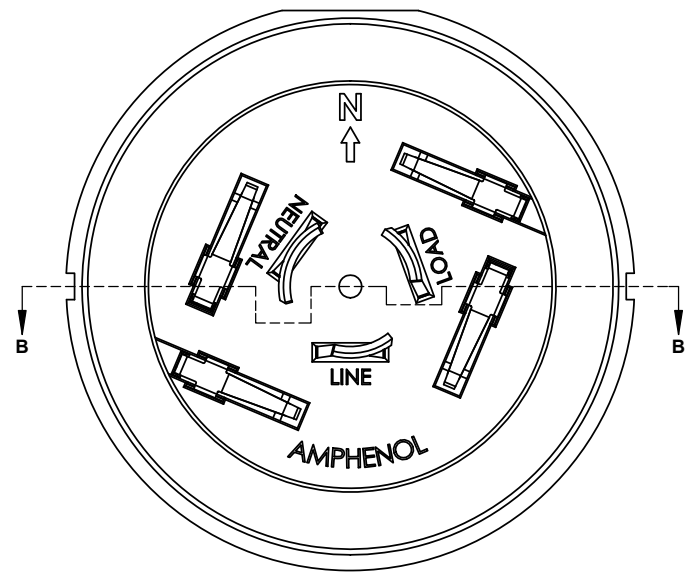
REVISIONS			
REV	DESCRIPTION, ECN, EAR NO.	DATE	APP'D
J	PRODUCT DRAWING (EAR 14970)	MAY07/21	M.P.
K	PRODUCT DRAWING (EAR 14993)	JUN15/21	M.P.



**FLB-P70-001 SHOWN
NO DIMMING CONTACTS**



**FLB-P75-001 SHOWN
2 DIMMING CONTACTS**



**FLB-P77-001 SHOWN
4 DIMMING CONTACTS**



UNLESS SPECIFIED OTHERWISE	DRAWN	S. MUGAN	MAY12/20
PRIMARY UNITS MILLIMETERS	CHECKED	A. GREEN	MAY12/20
SECONDARY INCHES	M.E. APP'D		
REFERENCE IN PARENTHESES	Q.A. APP'D		
GENERAL TOLERANCES	DWG APPR.		
1 DECIMAL PLACE	ENG. REL. NO.		
2 DECIMAL PLACES	REF.		
3 DECIMAL PLACES	THIRD ANGLE PROJECTION		
ANGULAR DEGREES	DO NOT SCALE DRAWING		

Amphenol Canada Corp.
Commercial Products

**FLB SERIES, DIMMING CONTROL,
LOCKING TYPE BASE,
RoHS COMPLIANT**

DWG. NO. **P-FLB-P7X-0X1** REV **K**

CODE ID NO. 03554 | DWG SIZE: X | SCALE: 2:1 | SHEET 2 OF 2

THIS DOCUMENT CONTAINS PROPRIETARY INFORMATION AND SUCH INFORMATION MAY NOT BE DISCLOSED TO OTHERS FOR ANY PURPOSE OR USED FOR MANUFACTURING PURPOSES WITHOUT WRITTEN PERMISSION FROM AMPHENOL CANADA CORP.