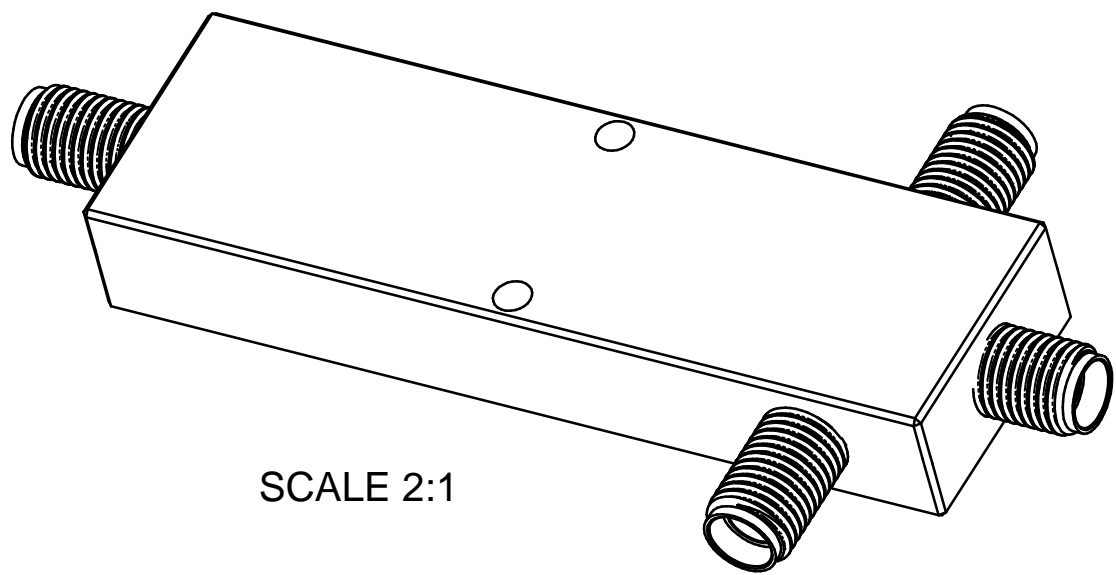
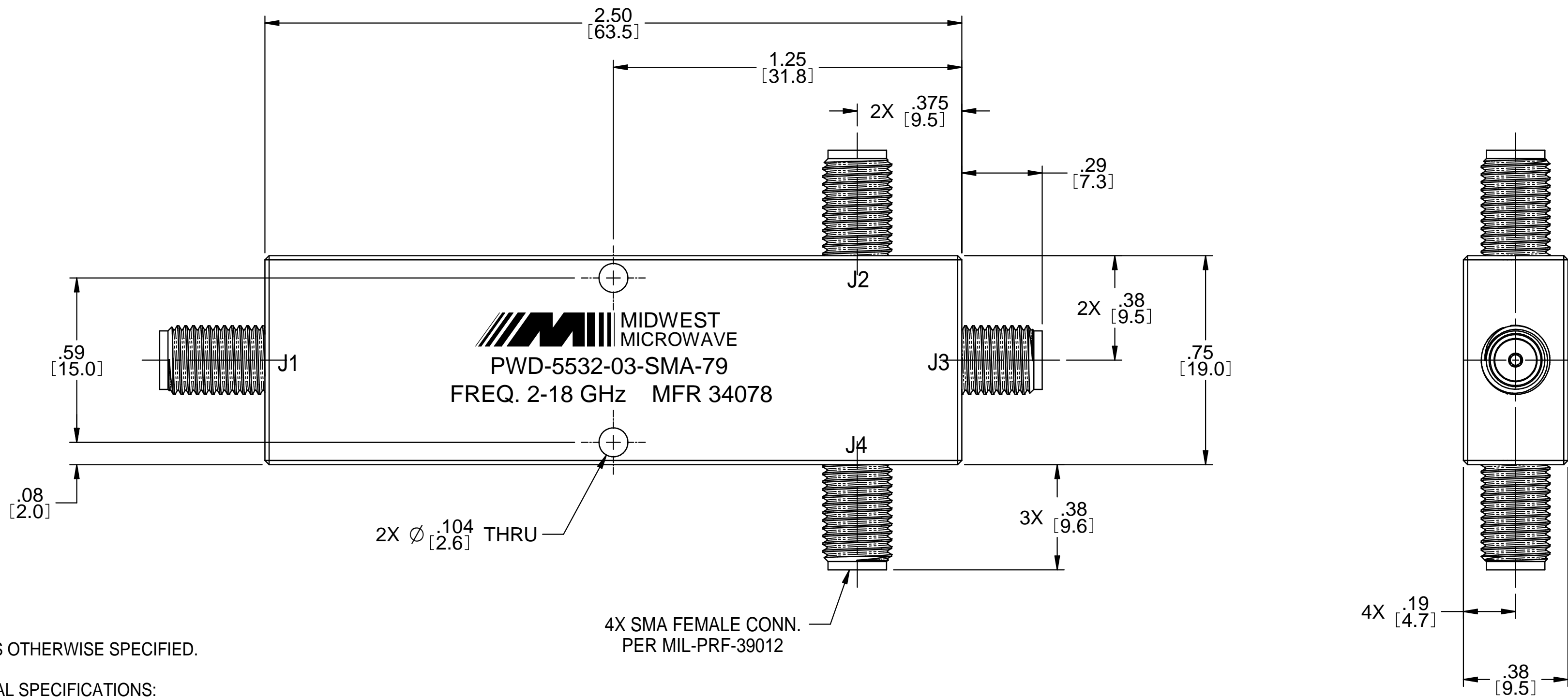


| ZONE | REV | ECO | DESCRIPTION | APPR. | DATE |
|------|-----|-------|-------------|-------|----------|
| | C | 18601 | | | 10/30/02 |
| | D | 23117 | | | 12/22/10 |
| | E | 24395 | | JRK | 8/13/12 |



SCALE 2:1



NOTES: UNLESS OTHERWISE SPECIFIED.

1. ELECTRICAL SPECIFICATIONS:
 - 1.1 FREQUENCY RANGE: 2.0 TO 18.0 GHz
 - 1.2 INSERTION LOSS: 1.0 dB MAX.
 - 1.3 ISOLATION: 20 dB MIN.
 - 1.4 VSWR: 1.50:1 MAX.
 - 1.5 OUTPUT UNBALANCE:
 - 1.5.1 AMPLITUDE: 0.5 dB MAX.
 - 1.5.2 PHASE: 5° MAX.
 - 1.6 MAXIMUM INPUT POWER:
 - 5 WATTS WITH OUTPUT LOAD VSWR ≤ 2.0:1
 - 10 WATTS WITH OUTPUT LOAD VSWR ≤ 1.5:1
 - 20 WATTS WITH OUTPUT LOAD VSWR ≤ 1.4:1
 - 30 WATTS WITH OUTPUT LOAD VSWR ≤ 1.2:1
 - 1.7 OPERATING TEMP. RANGE: -65°C TO +125°C

2. FINISHING: GRAY OVER MIL-E-15090 TYPE II, CLASS 2 OVER MIL-C-5541 CLASS 3A. MEETS MIL-F-14072 AND MIL-E-5400.
 - 2.1 MARK UNIT AS SHOWN.

3. DIMENSIONS IN BRACKETS ARE MILLIMETERS.

OUTLINE DRAWING

| | | | | | |
|---|---|------------------------|-------------------------------|----------------------|---|
| | Model No. PWD-5532-03-SMA-79 | | MIDWEST MICROWAVE | | |
| | Cage Code 34078 | | Title POWER DIVIDER | | Material |
| <small>This PROPRIETARY Document is property of Emerson Network Power Connectivity Solutions. It is confidential in nature, non-transferable, and issued with the clear understanding that it is not traced or copied without permission and is returnable upon demand.</small> | UNLESS OTHERWISE SPECIFIED UNITS: INCHES .XX ±.02 .XXX ±.005 ANGLES ±1° | | 3RD ANGLE PROJECTION - ⊕ - | | Drawing No. PWD-5532-03-SMA-79-01 |
| | Drawn by CWW | Date 10/3/12 | Rev. E | Finish | |
| | Approved by JRK | Date 10/4/12 | Size C | DO NOT SCALE DRAWING | Scale 3:1 |