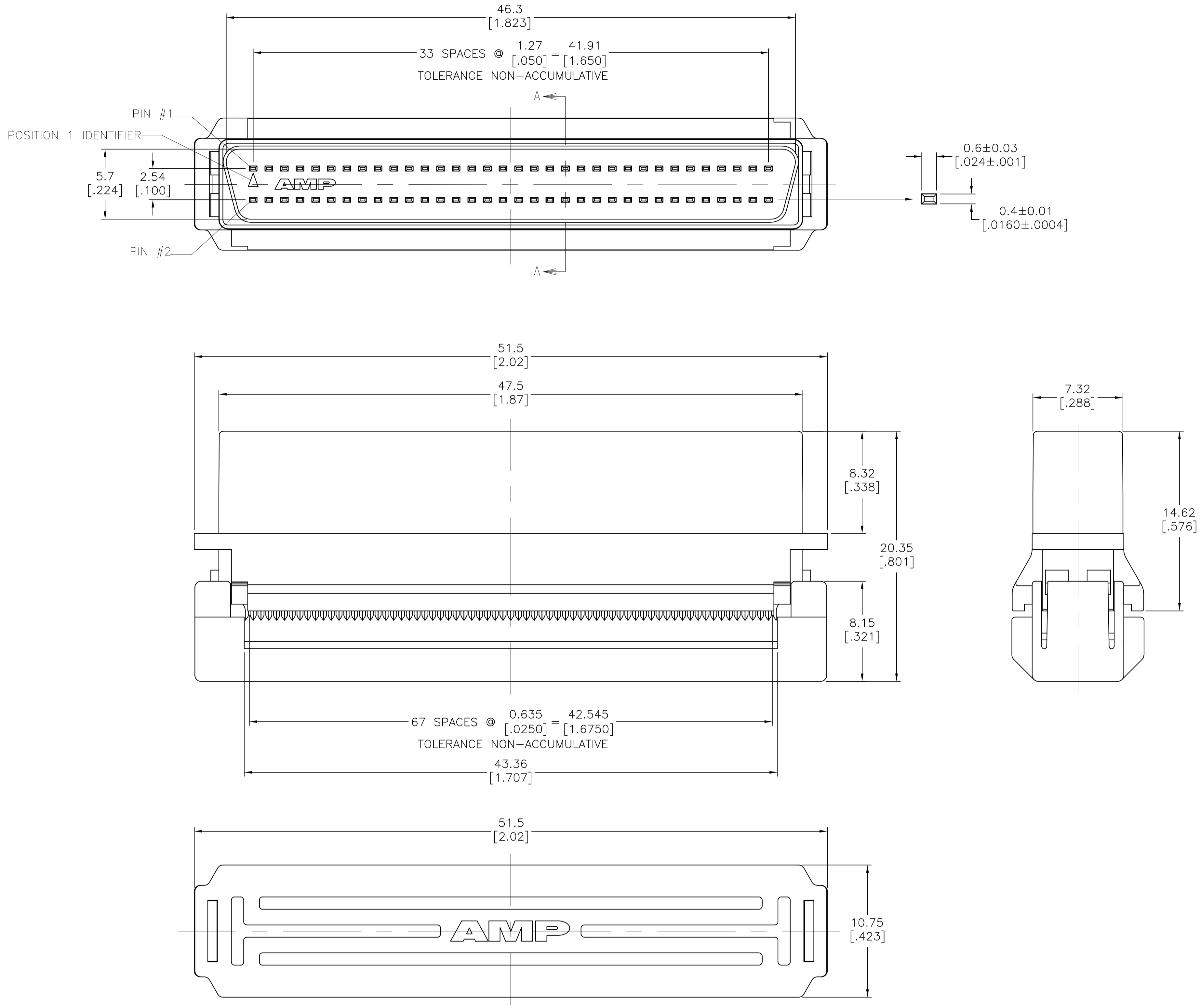
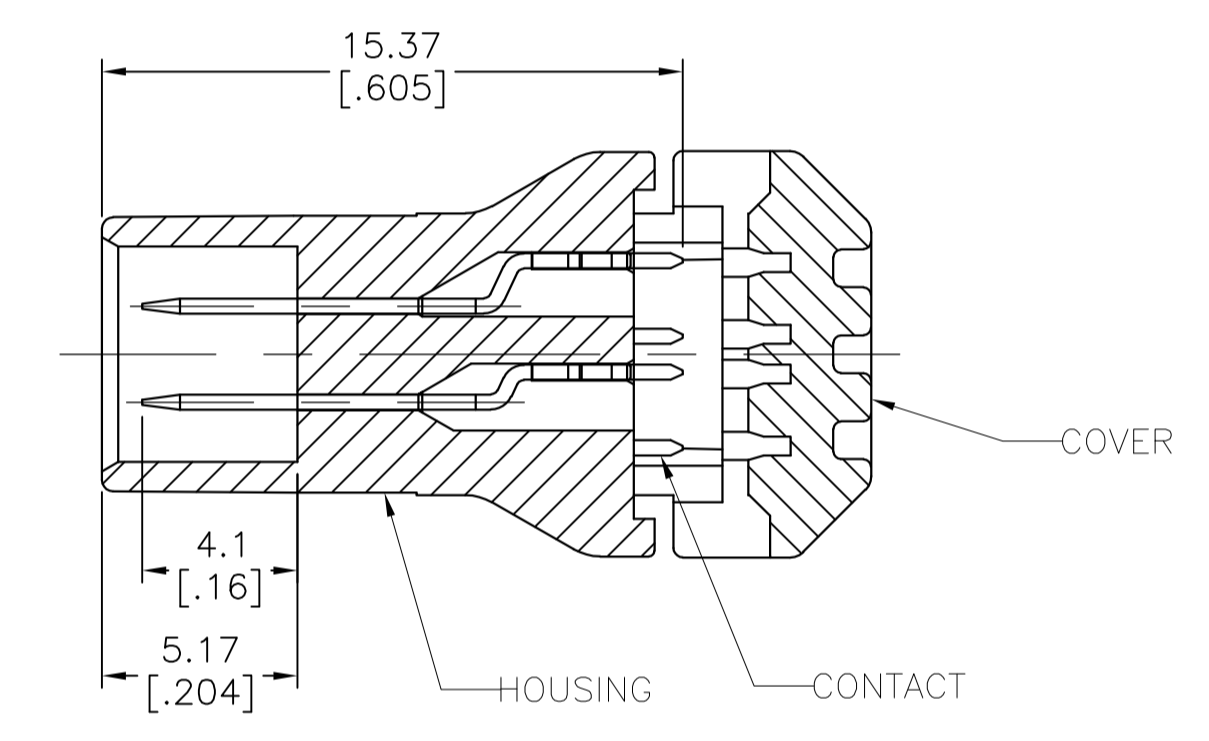
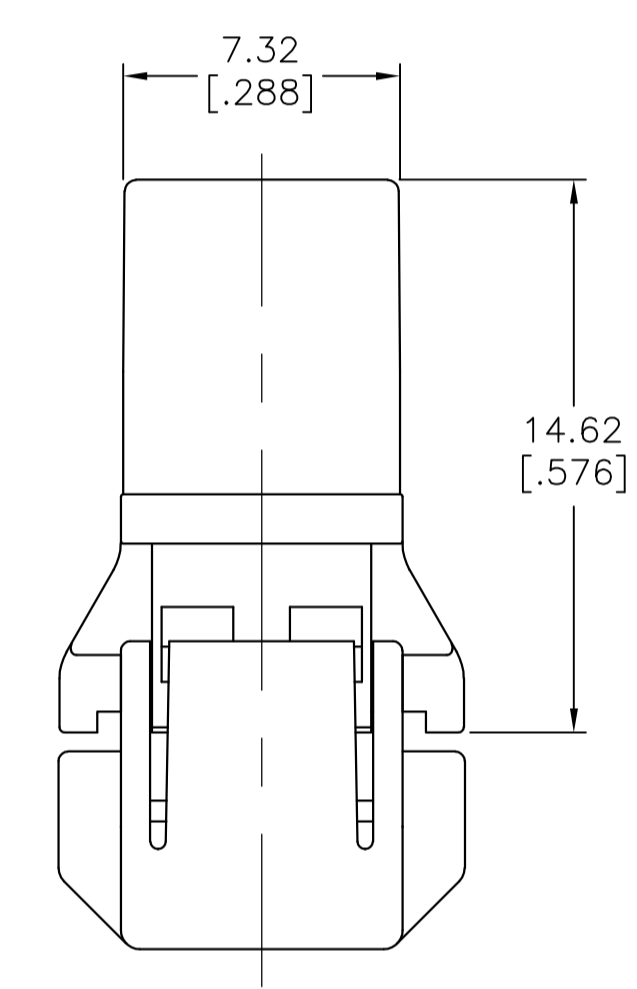


LOC		DIST		REVISIONS			
P	LTR	DATE	DMN	APVD			
T		REVISED PER ECO-09-016356	23JUL2009	ZMR	SLB		



- ① HOUSING & COVER: PBT 30% GLASS FILLED, UL 94V-0 RATED, COLOR BLACK. CONTACTS: PHOSPHOR BRONZE.
- ② CONTACTS: 0.00076[.000030] MIN GOLD ON MATING END, 0.00127[.000050] MIN BRIGHT TIN-LEAD ON TERMINATION END, ALL OVER 0.00127[.000050] MIN NICKEL ON ENTIRE CONTACT.
- ③ CONTACTS: 0.00038[.000015] MIN GOLD ON MATING END, 0.00127[.000050] MIN BRIGHT TIN-LEAD ON TERMINATION END, ALL OVER 0.00127[.000050] MIN NICKEL ON ENTIRE CONTACT.
- 4. RECOMMENDED WIRE: #30 AWG AND #31 AWG STRANDED OR SOLID RIBBON CABLE. CONTACT TYCO ELECTRONICS ENGINEERING FOR APPROVED CABLES.
- 5. DIMENSIONS SHOWN ARE FOR 68 POSITION ASSEMBLY.
- ⑥ CONTACTS: 0.00076[.000030] MIN GOLD ON MATING END, 0.00127[.000050] MIN BRIGHT TIN ON TERMINATION END, ALL OVER 0.00127[.000050] MIN NICKEL ON ENTIRE CONTACT.



SECTION A-A

OBSOLETE

DESCRIPTION	QTY	PART NO.	REV
TUBE	68	6-786090-7	
TUBE	68	1-786090-7	
TUBE	68	786090-7	
TRAY	50	786090-5	
PACKAGING			
CONTACT FINISH			
NO OF POS			
PART NUMBER			

SUPERSEDED BY 390377-5

THIS DRAWING IS A CONTROLLED DOCUMENT.		DIN	J.GERACE	13MAR03	Tyco Electronics Corporation Harrisburg, PA 17105-3608
DIMENSIONS: mm [INCHES]		CHK	C.CASH	13MAR03	
TOLERANCES UNLESS OTHERWISE SPECIFIED:		APP'D	M.WALMSLEY	13MAR03	Tyco Electronics PLUG ASSEMBLY, UNSHIELDED, 0.635[.025] CENTERLINE, 1.27[.050] SERIES, AMPLIMITE
0. PLC ± -		PRODUCT SPEC			
1. PLC ± 0.35[0.014]		APPLICATION SPEC			SIZE
2. PLC ± 0.25[0.010]					WEIGHT
3. PLC ± 0.15[0.006]					SCALE
4. PLC ± -					SHEET
ANGLES ± -					OF
FINISH SEE TABLE					REV
					T

CUSTOMER DRAWING