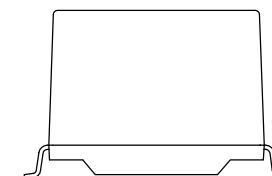
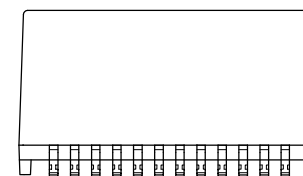
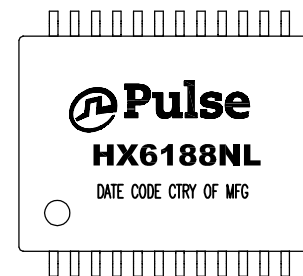


NOTES:

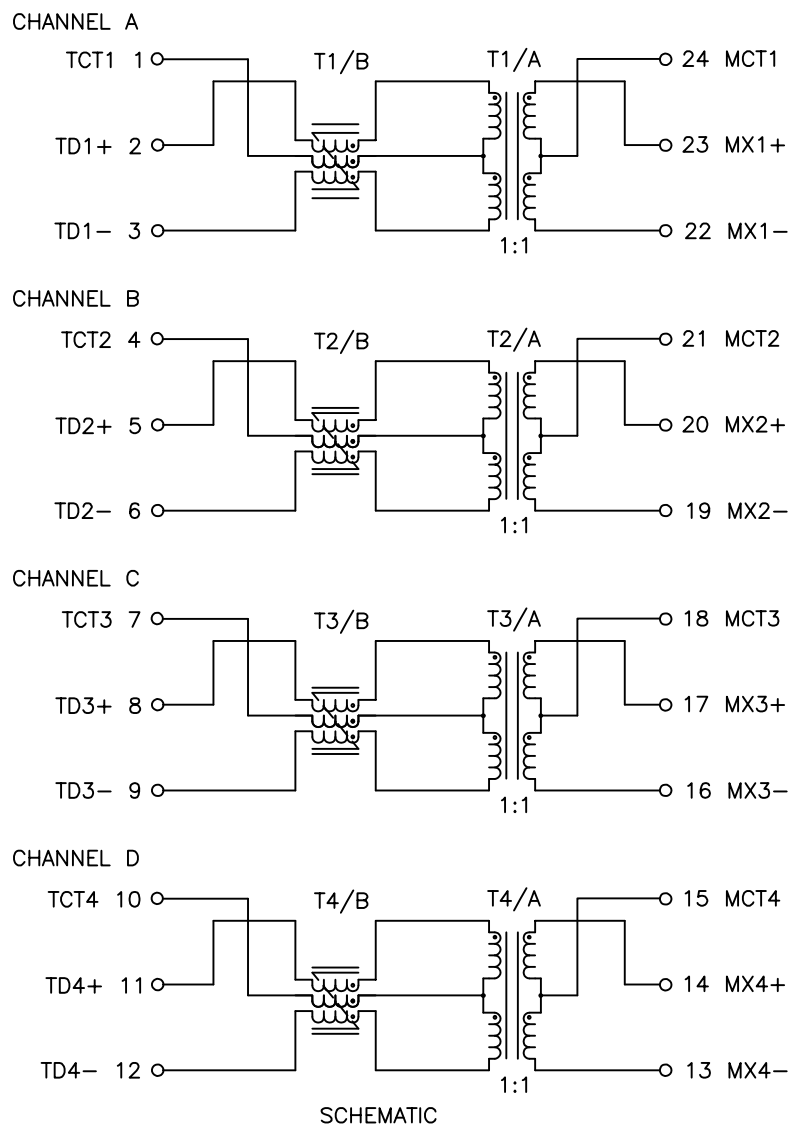
1. ROHS COMPLIANT
2. HEADER: PHENOLIC WITH FLAMMABILITY RATING UL 94V-0 OR BETTER.
3. STORAGE TEMPERATURE: -50°C TO +125°C
4. COMPLIANCE TO J-STD:
 - A. J-STD-002: SOLDERABILITY AT 245°C REFLOW PROFILE
 - B. J-STD-020: LEVEL 1, NO MOISTURE SENSITIVE
 - C. J-STD-075: R7, 245°C MAXIMUM THROUGH REFLOW SOLDER
5. TO ORDER TAPE & REEL PACKAGING ADD A "T" SUFFIX TO THE PART NUMBER(i.e HX6188NL BECOMES HX6188NLT).



FINAL OUTLINE

© Copyright, 2017. Pulse Electronics Corp. All rights reserved. Pulse confidential & proprietary. (04/01/17)

| PRODUCT DESCRIPTION | TLA DRAWING | PS DRAWING | SHEET | PART NO. | DATASHEET REV. |
|------------------------|-------------|---------------|--------|----------|----------------|
| MDL,SIN,1GPP,1:1,SM,OH | HX6188NL-X1 | PS-2655.001-A | 1 OF 4 | HX6188NL | A |



ELECTRICAL CHARACTERISTICS AT +25°C UNLESS OTHER SPECIFIED

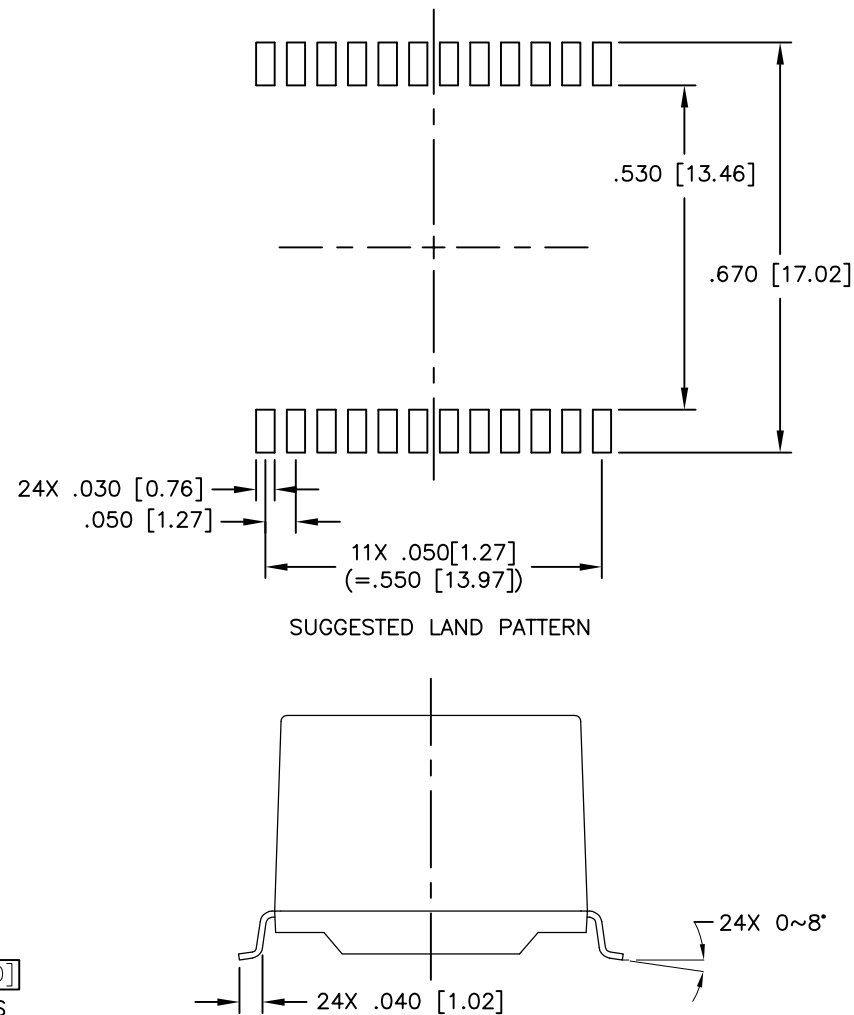
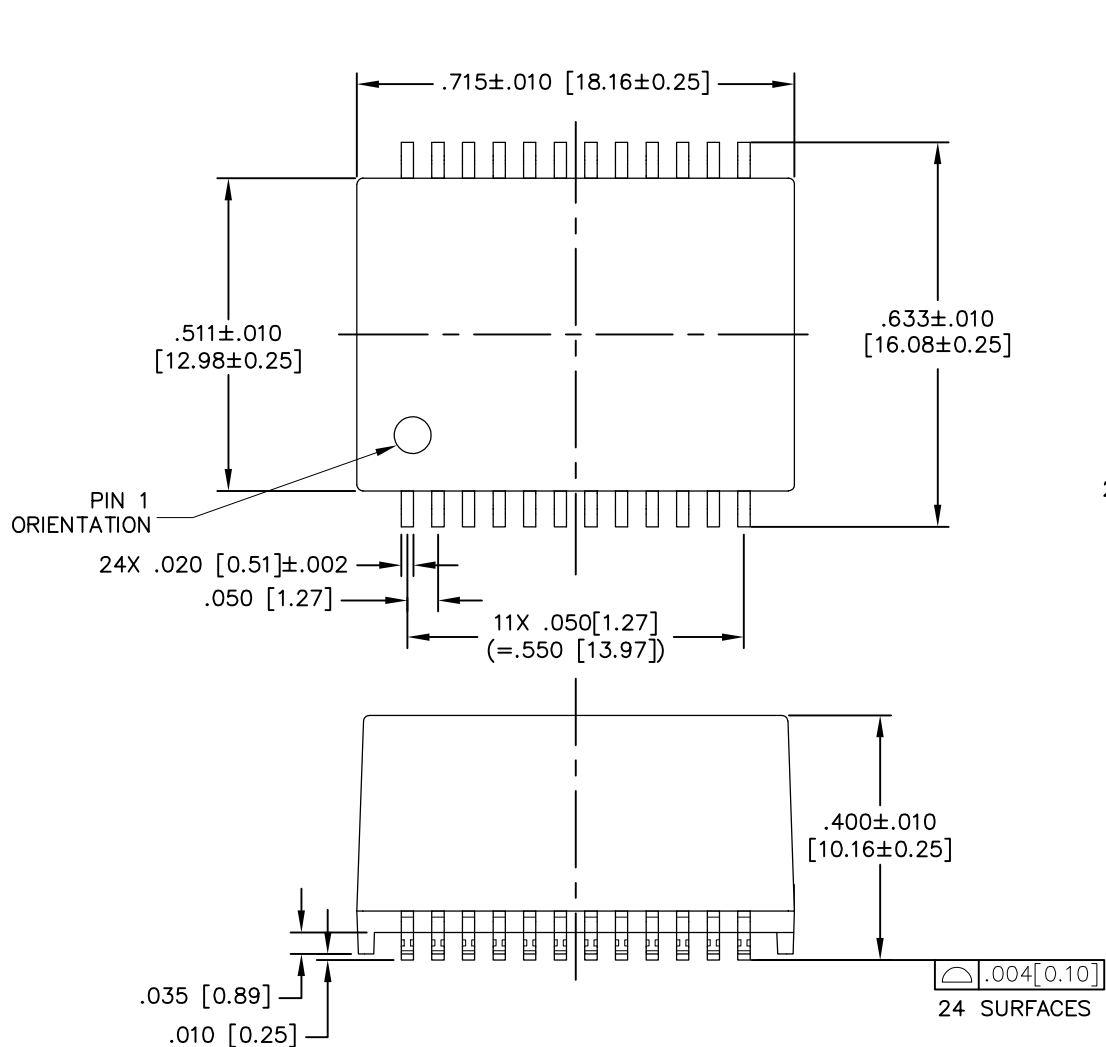
MEETS IEEE 802.3 SPECIFICATION

| PARAMETER | SPECIFICATIONS | | |
|---|---|--|--------------|
| OPERATING TEMPERATURE | -40°C TO +85°C | | |
| TURNS RATIO | 1.00 ± 2% | | |
| INTERWINDING CAPACITANCE (C _{ww}) | 35 pF MAX (25pF TYP) | | |
| LEAKAGE INDUCTANCE (LL) | 500 nH MAX @ 100 kHz, 100 mV | | |
| INSERTION LOSS | 100 KHz | 1-125 MHz | |
| | -1.2 dB MAX | -0.2-0.002*f ^{1.4} dB MAX | |
| RETURN LOSS (Z OUT = 100 OHM ±15%) | 1-40 MHz | 40-100 MHz | |
| | -16 dB MIN | -10+20*LOG ₁₀ (f/80 MHz) dB MIN | |
| INDUCTANCE (OCL) (23-22,20-19,17-16,14-13) (MEDIA SIDE, -40 TO +85°C) | 350 uH MIN (MEASURED AT 100 KHz, 100 mVRMS AND WITH 25 mA DC BIAS) | | |
| | 135 uH MIN (MEASURED AT 100 KHz, 100 mVRMS AND WITH 35 mA DC BIAS) | | |
| CROSSTALK, ADJACENT CHANNELS | 1 MHz | 10-100 MHz | |
| | -50 dB MIN | -50+25*LOG ₁₀ (f/10) dB MIN | |
| COMMON MODE REJECTION RATIO | 2 MHz | 30-200 MHz | 200-1000 MHz |
| | -50 dB MIN | -15+20*LOG ₁₀ (f/200) dB MIN | -10 dB MIN |
| DC RESISTANCE, 1/2 WINDING | .25 OHMS MAX. | | |
| DC CURRENT/VOLTAGE RATING | 1150 mA @ 57 V (CONTINUOUS) | | |
| DC RESISTANCE BALANCE | ±.05 OHMS MAX (CENTER TAP SYMMETRY) | | |
| INPUT - OUTPUT ISOLATION | 1500 VRMS MIN @ 60 SECONDS | | |

NOTE: f IS FREQUENCY IN MHz.

© Copyright, 2017. Pulse Electronics Corp. All rights reserved. Pulse confidential & proprietary. (04/01/17)

| PRODUCT DESCRIPTION | TLA DRAWING | PS DRAWING | SHEET | PART NO. | DATASHEET REV. |
|------------------------|-------------|---------------|--------|----------|----------------|
| MDL,SIN,1GPP,1:1,SM,OH | HX6188NL-X1 | PS-2655.001-A | 2 OF 4 | HX6188NL | A |



DIMENSIONS ARE IN INCHES [MM] WITH THE FOLLOWING

TOLERANCES:

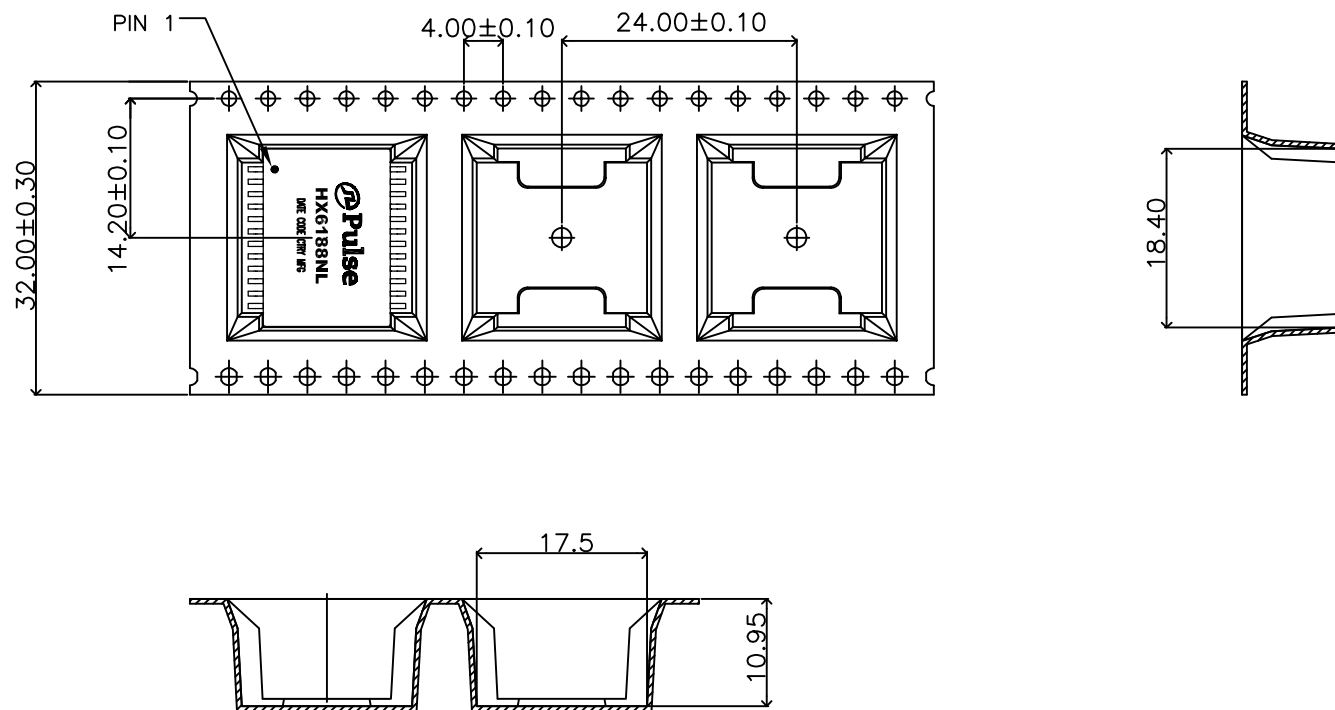
.XX = ±.01 [0.25]

.XXX = ±.005 [0.13]

© Copyright, 2017. Pulse Electronics Corp. All rights reserved. Pulse confidential & proprietary. (04/01/17)

| PRODUCT DESCRIPTION | TLA DRAWING | PS DRAWING | SHEET | PART NO. | DATASHEET REV. |
|------------------------|-------------|---------------|--------|----------|----------------|
| MDL,SIN,1GPP,1:1,SM,OH | HX6188NL-X1 | PS-2655.001-A | 3 OF 4 | HX6188NL | A |

NOTE: PACK 200 PIECES PER REEL.



DIMENSIONS ARE IN MM WITH THE FOLLOWING
TOLERANCES: ± 0.20

© Copyright, 2017. Pulse Electronics Corp. All rights reserved. Pulse confidential & proprietary. (04/01/17)

| PRODUCT DESCRIPTION | TLA DRAWING | PS DRAWING | SHEET | PART NO. | DATASHEET REV. |
|------------------------|-------------|---------------|--------|----------|----------------|
| MDL,SIN,1GPP,1:1,SM,OH | HX6188NL-X1 | PS-2655.001-A | 4 OF 4 | HX6188NL | A |