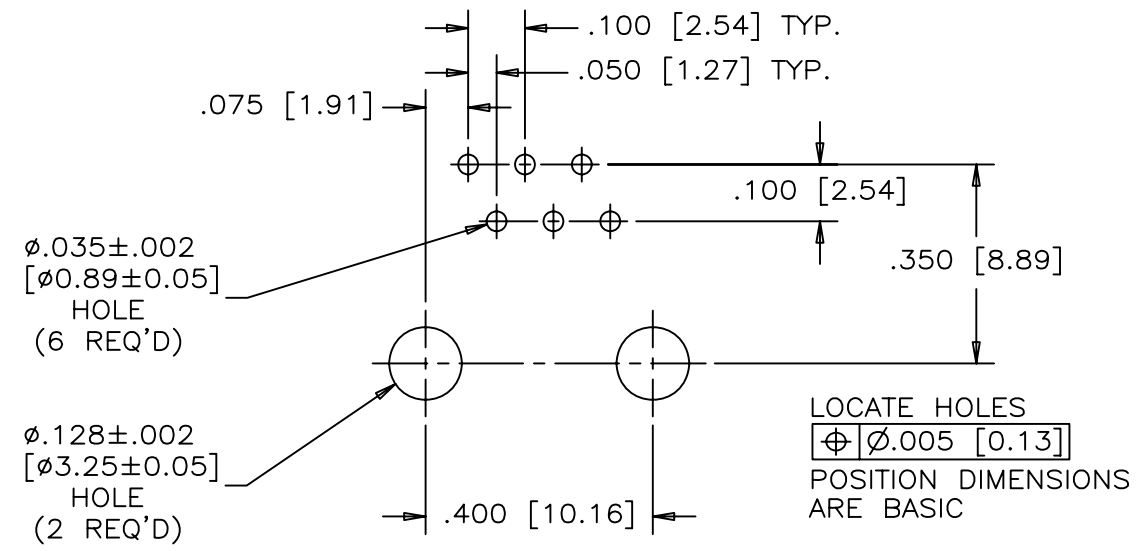
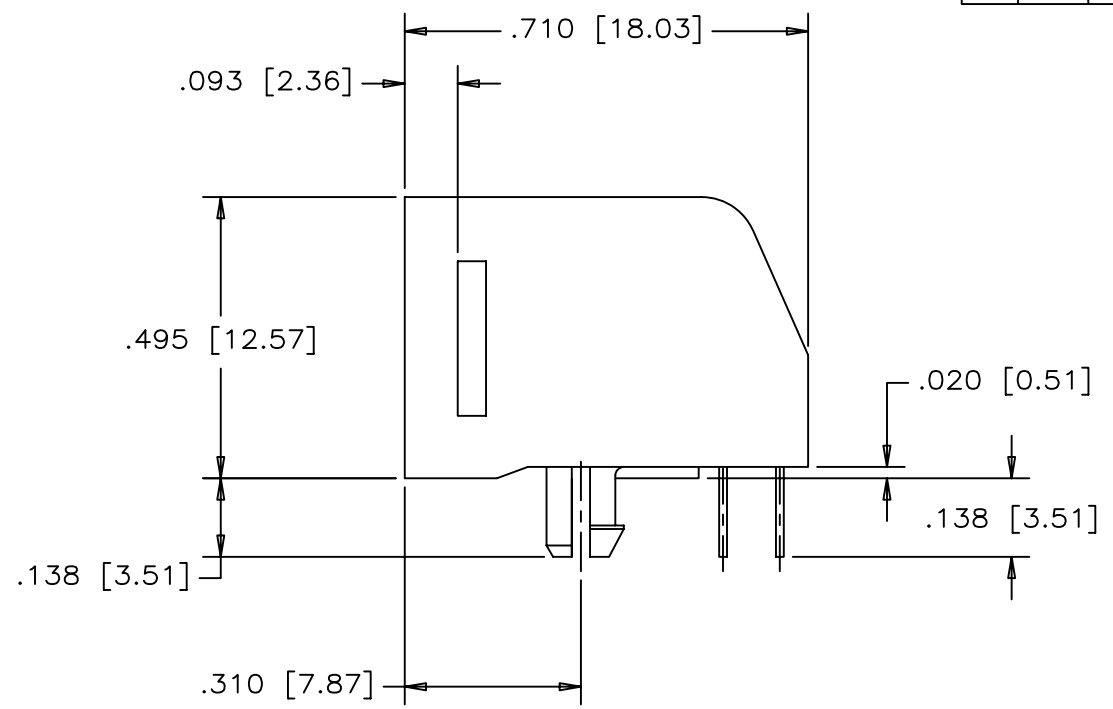
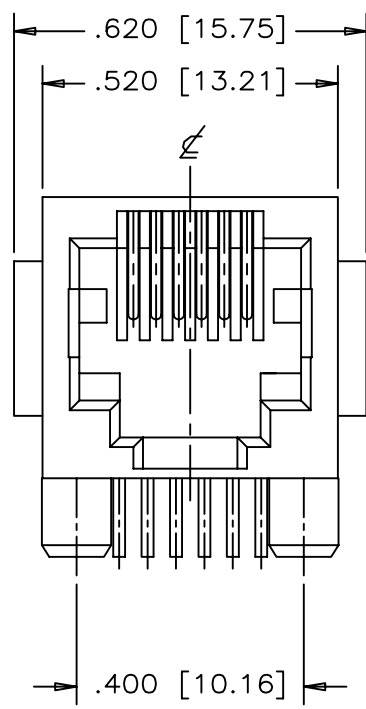


REVISIONS				
SYM	ZONE	ECN, ERN NO.	DATE	APPRD.
A		PROPOSAL	MAY04/06	L.CHAN



RECOMMENDED P.C.B. LAYOUT
(COMPONENT SIDE OF BOARD)



MATERIALS:
 PLASTIC HOUSING: ENGINEERING THERMOPLASTIC
 FLAMMABILITY RATING UL94V-0

CONTACTS:
 PHOSPHOR BRONZE
 PLATING: REFER TO PART NUMBER FOR GOLD THICKNESS ON MATING SURFACES.
 50 μ " [1.27 MICRONS]
 MIN. NICKEL UNDERPLATE.
 100 μ " [2.54 MICRONS]
 MIN. MATTE-TIN OR GOLD FLASH ON CONTACT TAILS.

RECOMMENDED SOLDERING TEMPERATURE:
 WAVE SOLDERING AT 240°C MAXIMUM FOR
 5 SEC MAXIMUM

AMPHENOL PART NO: RJE03-166-0X20

- 1 = 06 μ " GOLD
- 2 = 15 μ " GOLD
- 3 = 30 μ " GOLD
- 4 = 50 μ " GOLD

THIS DOCUMENT CONTAINS PROPRIETARY INFORMATION AND SUCH INFORMATION MAY NOT BE DISCLOSED TO OTHERS FOR ANY PURPOSE OR USED FOR MANUFACTURING PURPOSES WITHOUT WRITTEN PERMISSION FROM AMPHENOL CANADA CORP.

DRAWN PAULW	DATE MAY04/06	Amphenol Canada Corp.		
DESIGNED				
CHECKED CHIGOW	DATE MAY04/06	TITLE MODULAR JACK 6 POSITION, 6 CONTACTS (WITH SIDE FLANGES) - RoHS COMPLIANT		
I. E. APPRD.		DWG C	DRAWING NO. P-RJE03-166-0X20	REV. A
Q. A. APPRD.		SCALE 4/1 WT. ----- SURF. ----- SHEET 1 OF 1		
DWG. APPRD.				
ENG. REL. NO.				
REF.				
DIMENSIONS ARE IN INCHES [mm]	CODE ID. NO. 03554			