

5

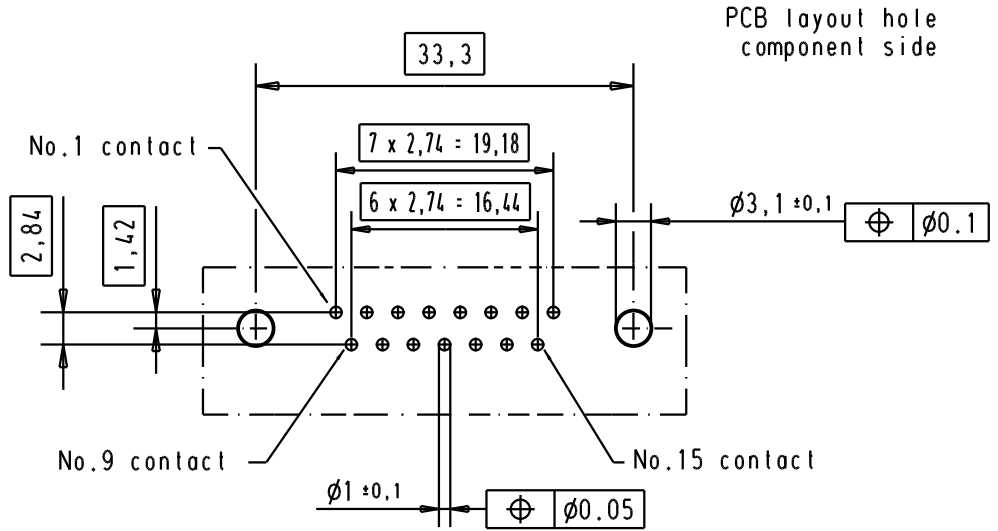
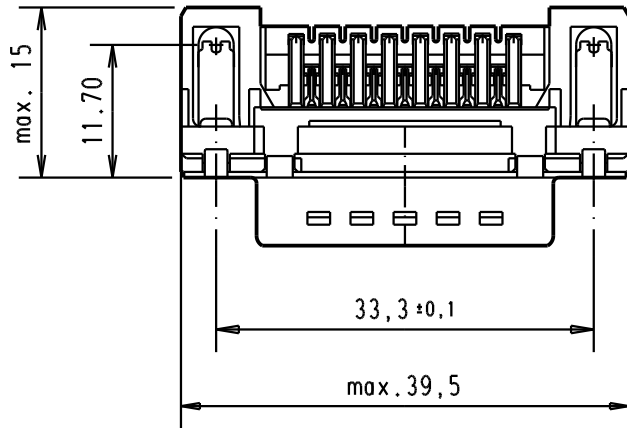
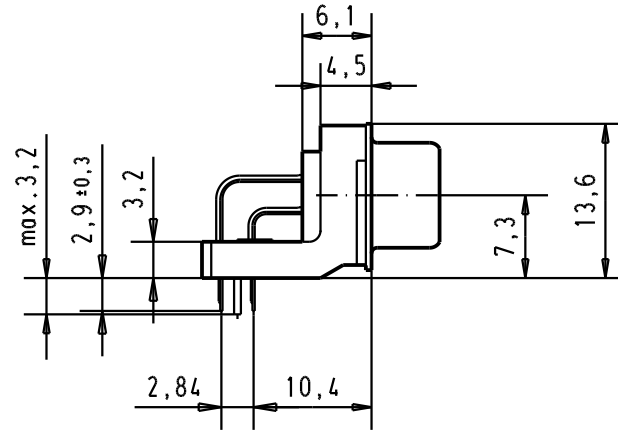
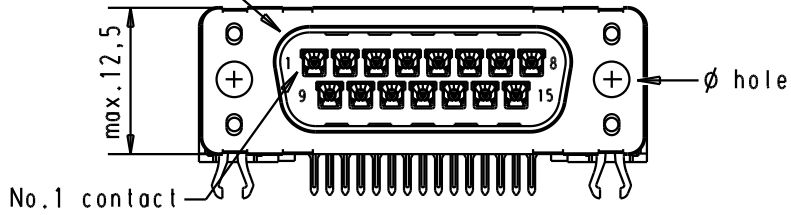
4

3

2



1

Mating face according to : MIL-C-24308 / DIN 41652 / CECC 75301-802



Connector retention and insertion forces on the PCB = 25 / 80 newtons

A

| | | | | | | Det. | Name |  All Dim. in mm Orig. Size DIN A 4 | D-Sub, male, standard angle, 15 poles, with solder pin, hole and grounding board lock | Moßstab/ Scale |
|----------------|-----------|-------------------|-------|-----------|---------|-------------------------------|------|---|---|--------------------|
| | | | | | | Insp. | | | | 1.5:1 |
| | | | | | | Stand. | | | | |
| | | | 31892 | 22/04/04 | JH | | | | | |
| 09 65 263 3810 | 3.1 ± 0.1 | 1 | 31084 | 04/09/02 | YT | | | | | |
| 09 65 263 6810 | 3.1 ± 0.1 | 2 | 29689 | 03/07/01 | AA | | | | | |
| 09 65 263 7810 | 3.1 ± 0.1 | 3 | 27960 | 18/dec/00 | ALSPACE | | | | | |
| Part number | ø hole | Performance level | Mod. | Dat. | Name | HARTING EURL F-95972 Paris | |  | TB 0965263x81x | Blatt/ Page 1 / |
| | | | | | | | | | Sub. | |