

6

5

4

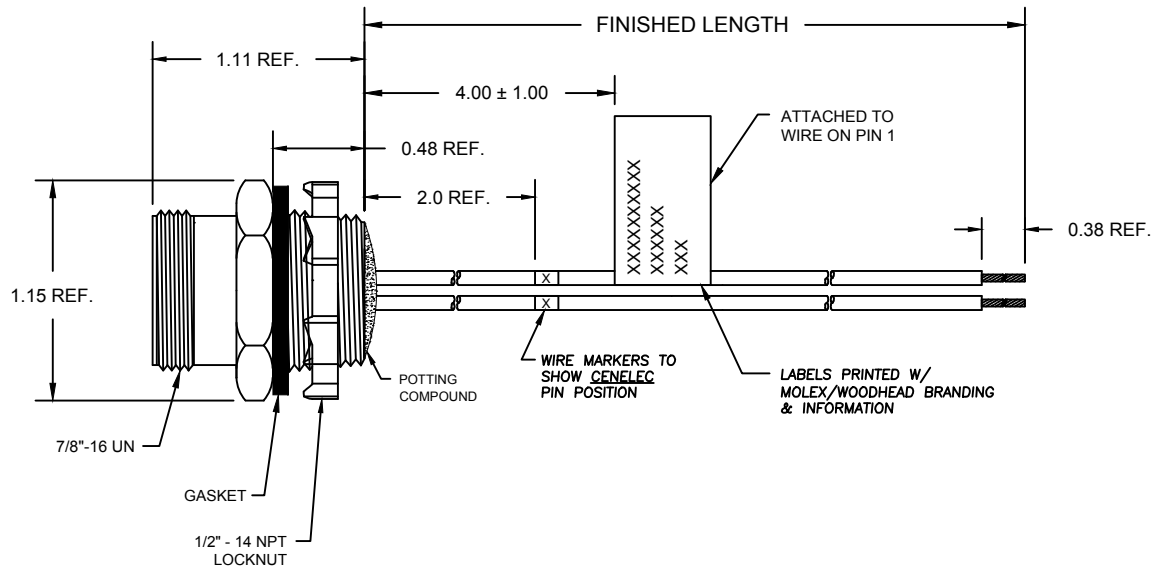
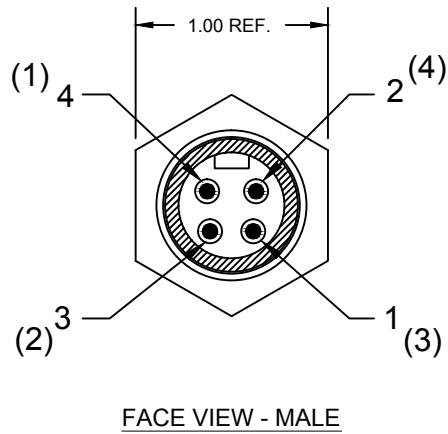
3

2

1

E

E



CENELEC EN 50 044 PINOUT SHOWN
(SAE-J-1738A SHOWN IN PARENTHESIS)

©
1R4006AA0MXXXD

FINISHED LENGTH
M010 - 1 METER
M100 - 10 METER

1 (3)	BLUE
2 (4)	BLUE/YELLOW
3 (2)	WHITE/BLUE
4 (1)	BLUE/WHITE

SPECIFICATIONS:

SHELL MATERIAL: ZINC DIECAST W/ BLACK ELECTROPHORETIC COATING
CONTACT MATERIAL: GOLD/NICKEL OVER COPPER ALLOY
INSERT MATERIAL: YELLOW TPE
LOCKNUT: ZINC-PLATED STEEL
GASKET: BLACK NEOPRENE

WIRES: #16-1, PVC LEADS
ASSEMBLY RATING: 600V, 10A

ENVIRONMENTAL: -20°C TO 105°C
IP67 WHEN MATED

AGENCY APPROVALS: UL LISTED

ADD PIN MATRIX EC NO: IFC2017-0064 DRWN: MZIELINS 2016/07/19 CHKD: VOU 2016/07/19 APPR: BWOODMAN 2012/03/08	DESCRIPTION REV C	QUALITY SYMBOLS ▽=0 ▽C=0	GENERAL TOLERANCES (UNLESS SPECIFIED)		DIMENSION STYLE INCH		SCALE 1:1	DESIGN UNITS INCH	THIRD ANGLE PROJECTION	
		4 PLACES ±--- ±---	mm ±---	INCH ±---	DRAWN BY VOU	DATE 2010/12/13	TITLE MINI-CHANGE RECEPTACLE 4P MR 1/2 NPT MOUNT #16-1 PVC WIRES			
		3 PLACES ±--- ±.005	±.13	±.010	CHECKED BY BWOODMAN	DATE 2012/02/17	MOLEX INCORPORATED			
		2 PLACES ±0.25 ±.020	ANGULAR ±1/2°		APPROVED BY JFMURPHY	DATE 2012/03/08	MATERIAL NO. SEE CHART	DOCUMENT NO. SD-130013-029	SHEET NO. 1 OF 1	
DRAFT WHERE APPLICABLE MUST REMAIN WITHIN DIMENSIONS			SIZE A		THIS DRAWING CONTAINS INFORMATION THAT IS PROPRIETARY TO MOLEX INCORPORATED AND SHOULD NOT BE USED WITHOUT WRITTEN PERMISSION					

6

5

4

3

2

1

A

A