

6

5

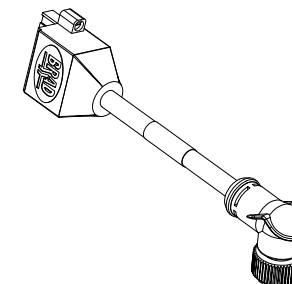
4

3

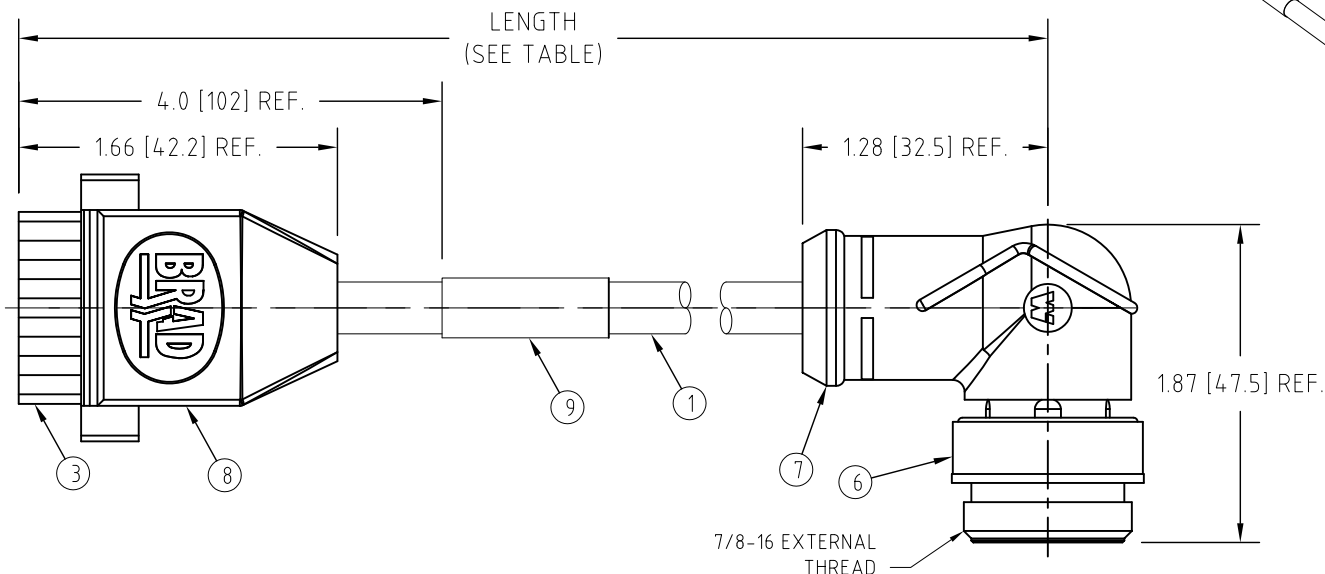
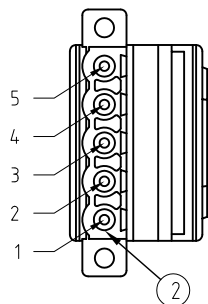
2

1

MATERIAL NUMBER	ENGINEERING NUMBER	LENGTH
130039-0122	DND49A-M010	1.0M +55.6mm -0 [3.28FT +2.19IN -0]



FEMALE FACE VIEW



NOTES:

- 1) MATERIALS:
SEE TABLE
- 2) FINISHES:
SEE TABLE
- 3) ELECTRICAL DATA:
MAX. VOLTAGE: 250 VAC
MAX. CURRENT: 4 AMPS
- 4) ENVIRONMENTAL:
PROTECTION IP20
TEMPERATURE RANGE: -20°C TO 80°C
- 5) CERTIFICATIONS:
UL: E152210
cCSAus FILE: LR6837
- 6) ASSEMBLY IS RoHS COMPLIANT.

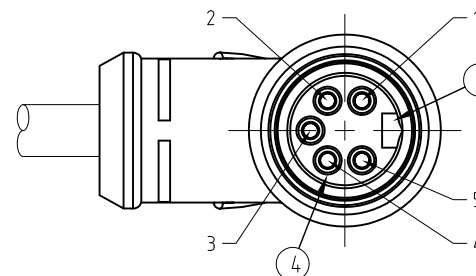
WIRING DIAGRAM

3	DRAIN	1
5	RED	2
1	BLACK	3
4	WHITE	4
2	BLUE	5

FEMALE

MALE

MALE FACE VIEW



ITEM	QTY.	DESCRIPTION	MATERIAL	FINISH
9	1	LABEL	PLASTIC FILM	YELLOW
8	1	OVERMOLD	TPE	GRAY
7	1	OVERMOLD	TPE	GRAY
6	1	COUPLING NUT	ZINC DIE-CAST	BLACK E-CDAT
5	1	MALE INSERT	PVC	GRAY
4	5	PIN CONTACT	COPPER ALLOY	GOLD PLATING
3	1	D-NET OPEN CONNECTOR	POLYAMIDE	GRAY
2	5	SOCKET CONTACT	COPPER ALLOY	GOLD PLATING
1	1	#22/4 CABLE + DRAIN	PVC JACKET	GRAY

RELEASE SALES DRAWING EC NO: WNA2010-0437 DRWN: LHARTMAN 2010/01/22 CHKD: BWOODMAN APPR: JFMURPHY 2010/01/23	QUALITY SYMBOLS $\nabla=0$ $\nabla C=0$	GENERAL TOLERANCES (UNLESS SPECIFIED)		DIMENSION STYLE IN/MM	SCALE 1:1	DESIGN UNITS INCH	THIRD ANGLE PROJECTION	
		4 PLACES \pm --- \pm --- 3 PLACES \pm --- \pm 0.005 2 PLACES \pm 0.13 \pm 0.010 1 PLACE \pm 0.25 \pm 0.020	DRAWN BY LHARTMAN	DATE 2010/01/22	TITLE MC CORDSET TO OPEN 5P MA 90 TO FE OPEN #22/4 + DRAIN PVC CABLE			
		ANGULAR \pm 1/2°	CHECKED BY BWOODMAN	DATE 2010/01/27	MOLEX INCORPORATED			
		DRAFT WHERE APPLICABLE MUST REMAIN WITHIN DIMENSIONS	APPROVED BY ---	DATE ---	MATERIAL NO. SEE TABLE	DOCUMENT NO. SD-130039-030	SHEET NO. 1 OF 1	

SIZE A

THIS DRAWING CONTAINS INFORMATION THAT IS PROPRIETARY TO MOLEX INCORPORATED AND SHOULD NOT BE USED WITHOUT WRITTEN PERMISSION

6

5

4

3

2

1