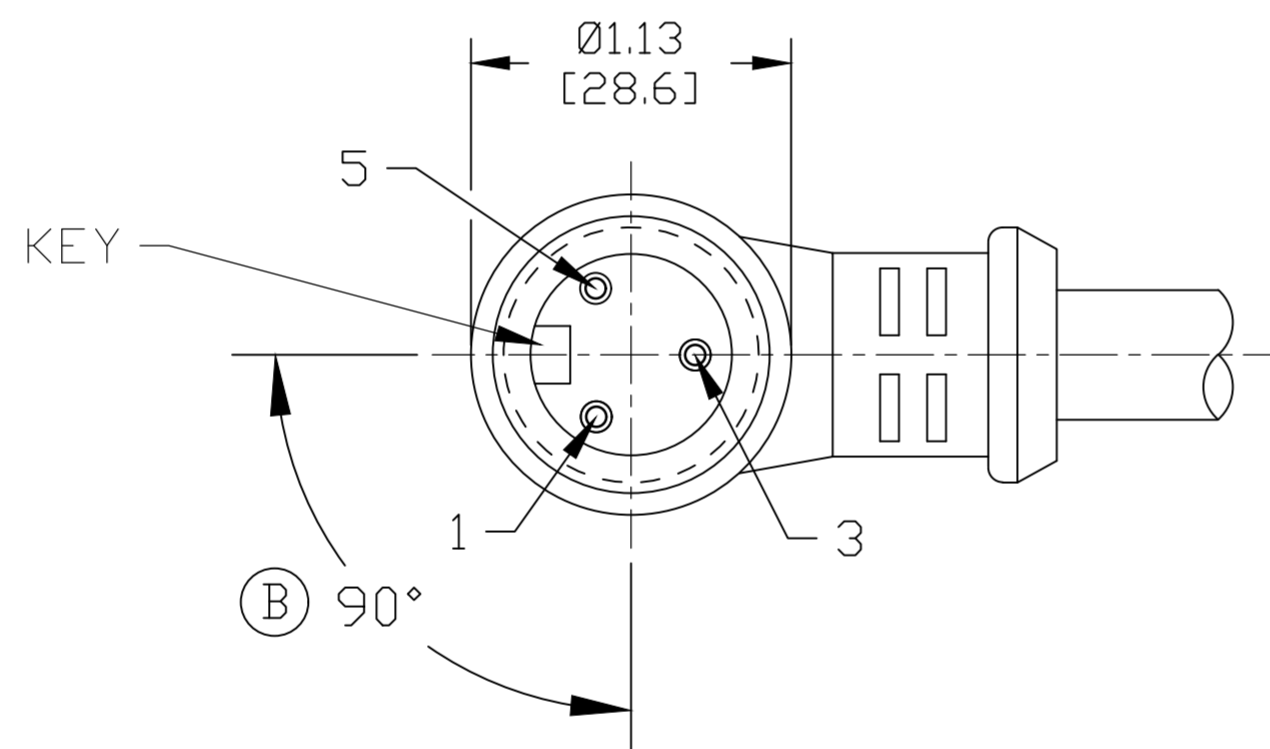
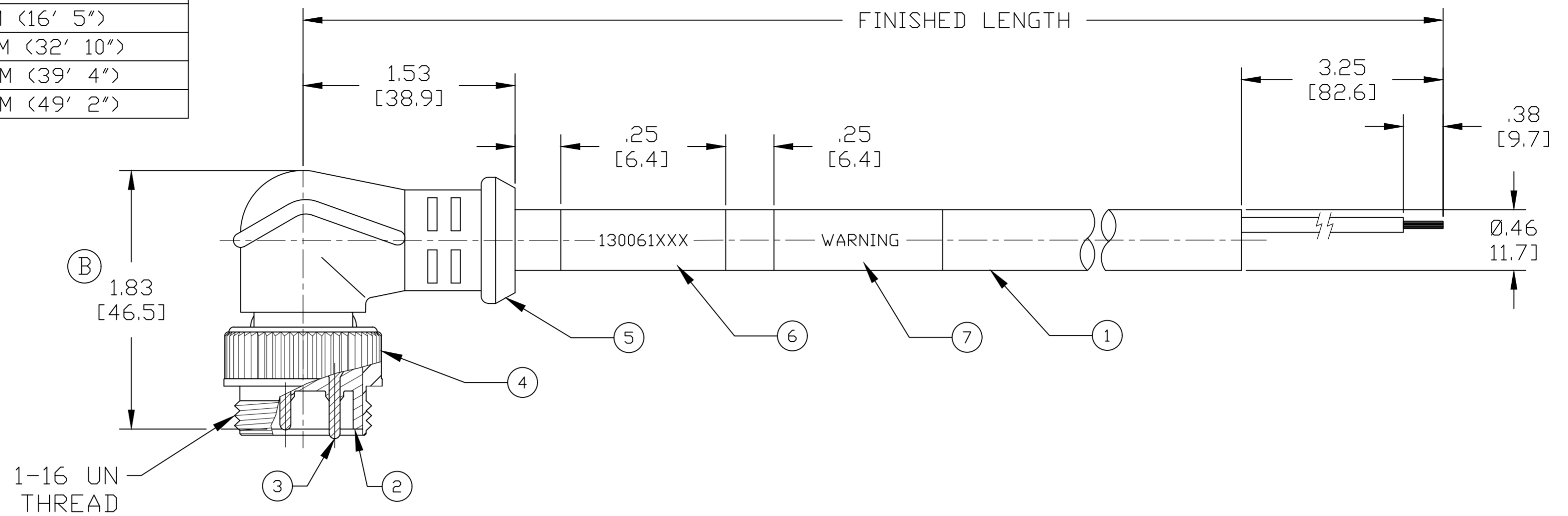


PART NO.	ENGINEERING NO.	FINISHED LENGTH
1300611080	203007A45M030	3M (9' 10")
1300611120	203007A45M050	5M (16' 5")
1300610224	203007A45M100	10M (32' 10")
1300611084	203007A45M120	12M (39' 4")
1300610229	203007A45M150	15M (49' 2")



PART NO. LEGEND

203007A45M030

CABLE TYPE
16/3 TC-ER

FINISHED LENGTH:
M005= 0.5 METER
M030= 3 METER
M120= 12 METER

NOTES:

1. MATERIAL: AS NOTED
2. FINISH: AS NOTED
3. ELECTRICAL:
VOLTAGE: 600V
CURRENT: 13A
4. TEMP RATING: -25°TO +80°C
5. PROTECTION: IP67 (WHEN MATED)
6. UL LISTED FILE: E258922
7. ALL DIMS ARE FOR REFERENCE UNLESS TOLERANCED OR NOTED OTHERWISE

- 1 BLACK
- 3 GREEN/YELLOW
- 5 WHITE

MALE FACE VIEW

CABLE LENGTH TOLERANCES	
>.3M [1FT]:	+19mm-0 [+ .75in-0]
.3 - .9M [1 - 3FT]:	+44.5mm-0 [+1.75in-0]
.9 - 1.8M [3 - 6FT]:	+55.6mm-0 [+2.19in-0]
1.8 - 3.7M [6 - 12FT]:	+88.9mm-0 [+3.50in-0]
3.7 - 7.3M [12 - 24FT]:	+165.1mm-0 [+6.50in-0]
7.3-14.6M [24 - 48FT]:	+317.5mm-0 [+12.50in-0]
14.6 - 30.5M [48-100FT]:	+622.3mm-0 [+24.50in-0]
OVER 30M [100FT]	+2% OF FINISHED LENGTH

ITEM	DESCRIPTION	MATERIAL	FINISH
7	WARNING LABEL	VINYL	ORANGE/BLACK
6	WRAP LABEL	VINYL	BLACK/YELLOW
5	OVERMOLD	TPE	GRAY
4	COUPLING NUT	ZINC DIE CAST	BLACK ANODIZE
3	CONTACT PIN	COPPER ALLOY	GOLD PLATED
2	MALE INSERT, 3P	TPE	BLACK
1	CABLE, 16/3 TC-ER	PVC JACKET	GRAY, BLACK STRIPE

DOCUMENT STATUS P1 RELEASE DATE 2022/03/30 21:16:47

FUNCTIONAL SYMBOLS FA=0 FC=0 FP=0	THIS DRAWING CONTAINS INFORMATION THAT IS PROPRIETARY TO MOLEX ELECTRONIC TECHNOLOGIES, LLC AND SHOULD NOT BE USED WITHOUT WRITTEN PERMISSION		CURRENT REV DESC: O-MOLD WAS BLACK, O-MOLD DIM WAS 1.88, DIMS CHANGED TO IN/MM, ADD 90 DEG KEY ORIENTATION	
	DIMENSION UNITS	SCALE	EC NO: 701133	
	INCH/MM	NTS	DRWN: RSTONE	2022/03/28
	GENERAL TOLERANCES (UNLESS SPECIFIED)		CHK'D: ALEON01	2022/03/29
DIVISIONAL SYMBOLS	4 PLACES	±----	APPR: BWOODMAN	2022/03/30
	3 PLACES	±----	INITIAL REVISION:	
	2 PLACES	±----	DRWN: RSTONE	2018/06/18
	1 PLACE	±----	APPR: BWOODMAN	2018/06/21
0 PLACES	±----	ANGULAR TOL ± ---- °		
DRAFT WHERE APPLICABLE MUST REMAIN WITHIN DIMENSIONS		THIRD ANGLE PROJECTION	DRAWING	SERIES
			C-SIZE	130061
		MATERIAL NUMBER	CUSTOMER	SHEET NUMBER
		SEE P/N LEGEND	GENERAL MARKET	1 OF 1

molex

BRAD POWER CABLE ASSEMBLY
3 POLE, MALE 90 DEG, SINGLE KEY, 16AWG, ADD 90 DEG KEY ORIENTATION

PRODUCT CUSTOMER DRAWING

DOCUMENT NUMBER: SD-130061-042
DOC TYPE/DOC PART/REVISION: PSD 001 B