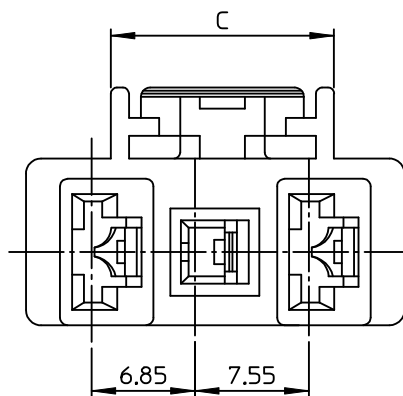
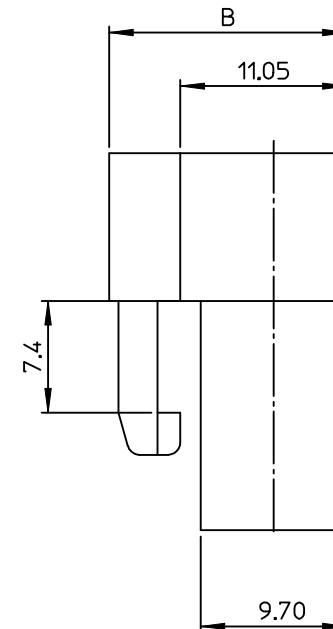
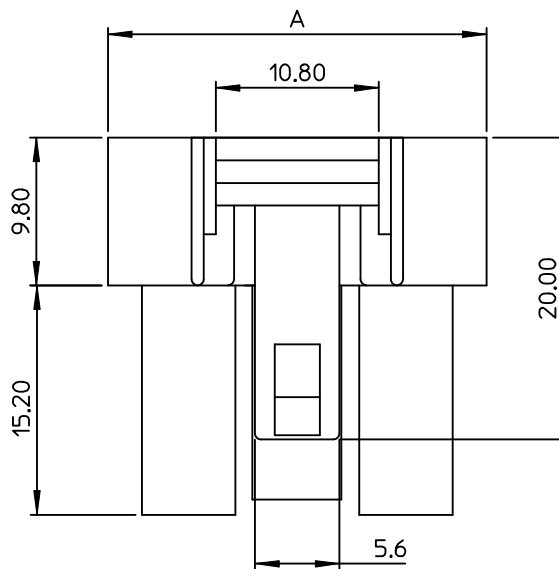


F1 TERMINAL : 35725-5*10
 F2 TERMINAL : 35766-0*10

TERMINAL PATTERN



[TABLE] (A1)

MATERIAL NO.	DIMENSION			MATERIAL
	A	B	C	
355470300	25.10	15.75	14.80	POLYESTER
355470309	25.40	16.00	15.10	PET/PC

NOTES

1. MATERIAL :
 ① 35547-0300 : POLYESTER(PBT), NO GLASS FILLED, UL94V-0
 COLOR : NATURAL

(A1) ② 35547-0309 : PET/PC, NO GLASS FILLED, UL94V-0
 COLOR : NATURAL

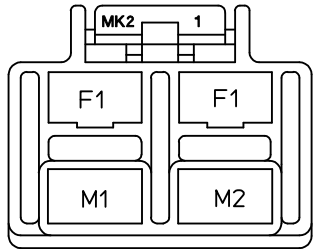
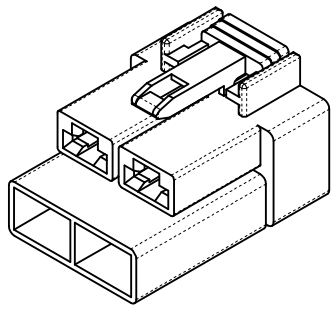
2. PRODUCT SPECIFICAION : PS-35546-001

3. PACKING SPECIFICAION : PK-35547-001

4. MATED HOUSING : 35546-070*

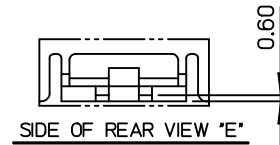
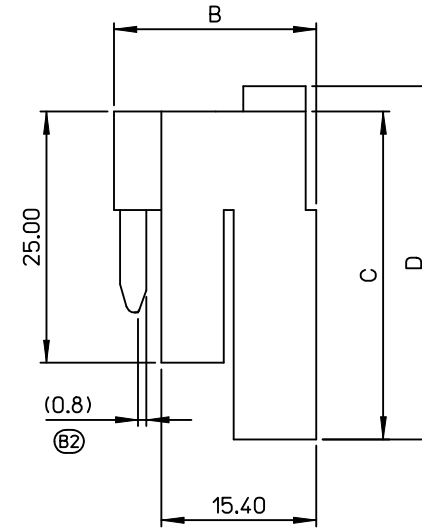
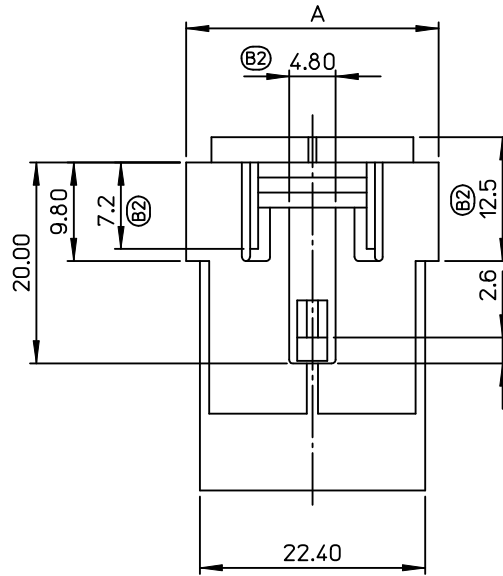
5. APPLICABLE TERMINAL : 35725-5*10
 35766-0*10

PRELIMINARY REVISED EC NO: KOR2013-0051 DRWN: JSSHIN 2012/12/20 CHKD: SHCHU 2012/12/20 APPR: YSK IM02 2012/12/27	QUALITY SYMBOLS ▽=0 ∇=0	GENERAL TOLERANCES (UNLESS SPECIFIED)		DIMENSION STYLE MM ONLY		SCALE 4:1	DESIGN UNITS METRIC	THIRD ANGLE PROJECTION		
			mm	INCH	DRAWN BY	DATE	TITLE			
		4 PLACES	± ---	± ---	WY. YANG	1997/11/12	.250 MULTI W-T-W CONN. PLUG HOUSING -3P			
		3 PLACES	± ---	± ---	CHECKED BY	DATE				
2 PLACES	± 0.30	± ---	BK. CHOI	1997/11/12	molex DOCUMENT NO. SD-35547-001 SHEET NO. 1 OF 1					
1 PLACE	± 0.30	± ---	APPROVED BY	DATE						
0 PLACE	±	±	CW. LEE	1997/11/12	SEE TABLE THIS DRAWING CONTAINS INFORMATION THAT IS PROPRIETARY TO MOLEX INCORPORATED AND SHOULD NOT BE USED WITHOUT WRITTEN PERMISSION					
ANGULAR ± 3 °		DRAFT WHERE APPLICABLE MUST REMAIN WITHIN DIMENSIONS		SIZE						
A1	REV			A3						



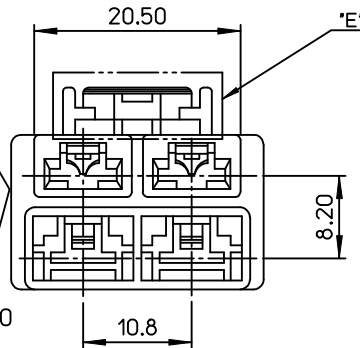
F1 TERMINAL : 35725-5*10
 M1 TERMINAL : 35453-9*02
 M2 TERMINAL : 35452-9*02
 F = FEMALE TERMINAL
 M = MALE TERMINAL

TERMINAL PATTERN



SIDE OF REAR VIEW 'E'

PRE-RELEASE
 REFERENCE
 USE ONLY



NOTES

1. MATERIAL :

- ① 35547-0400 : POLYESTER(PBT), NO GLASS FILLED, UL94V-0
 COLOR : NATURAL
- ② 35547-0409 : PET/PC, NO GLASS FILLED, UL94V-0
 COLOR : NATURAL

2. PRODUCT SPECIFICAION : PS-35546-001

3. PACKING SPECIFICAION : PK-35547-001

4. MATED HOUSING : 35546-070*

5. APPLICABLE TERMINAL : 35725-5*10
 35452-9*02
 35453-9*02

[TABLE] B2

MATERIAL NO.	DIMENSION				MATERIAL
	A	B	C	D	
355470400	25.10	20.10	32.60	35.10	POLYESTER
355470409	25.40	20.50	32.90	35.40	PET/PC

RELEASED EC NO: KOR2013-0051 DRWN: JSSHIN CHKD: SHCHU APPR: YSKIM02 2012/12/20 2012/12/20 2012/12/21	DESCRIPTION REV	QUALITY SYMBOLS	GENERAL TOLERANCES (UNLESS SPECIFIED)	DIMENSION STYLE	SCALE	DESIGN UNITS	THIRD ANGLE PROJECTION	
		▼=0 ▽=0	mm INCH 4 PLACES ± --- ± --- 3 PLACES ± --- ± --- 2 PLACES ± 0.30 ± --- 1 PLACE ± 0.30 ± --- 0 PLACE ± ±	MM ONLY	2:1	METRIC	DRAWN BY: WY. YANG CHECKED BY: BK. CHOI APPROVED BY: CW. LEE DATE: 1997/11/12	TITLE: .250 MULTI W-T-W CONN. PLUG HOUSING -4P MATERIAL NO. SEE TABLE DOCUMENT NO. SD-35547-002
			ANGULAR ± 3°					
			DRAFT WHERE APPLICABLE MUST REMAIN WITHIN DIMENSIONS					

