

RED INDICATES ORIGINAL

DATA CONTAINED IN THIS DOCUMENT IS PROPRIETARY TO TROMPETER ELECTRONICS INC. AND SHALL NOT BE DISCLOSED, COPIED OR USED FOR REPRODUCTION OR MANUFACTURE WITHOUT EXPRESS WRITTEN PERMISSION.

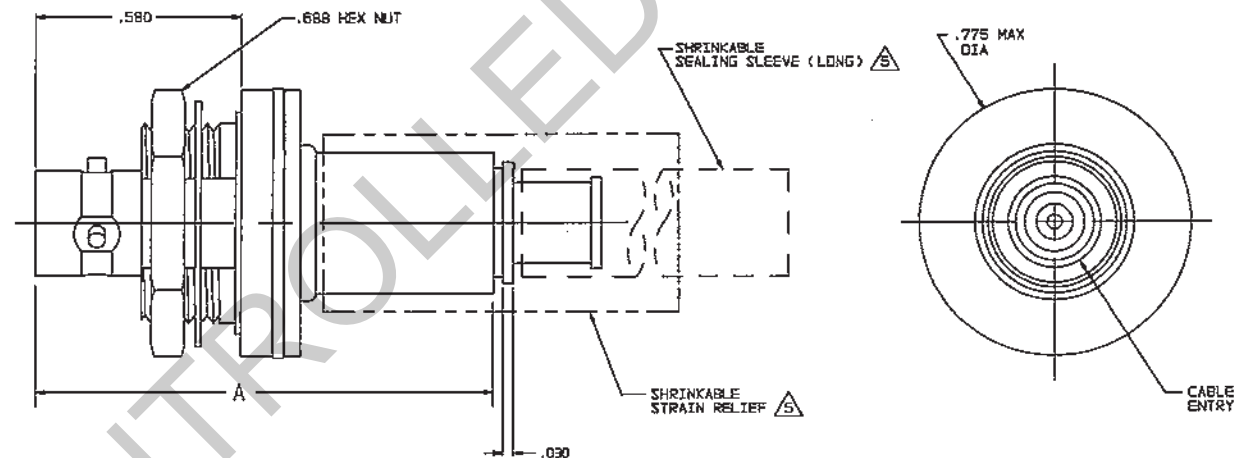
REV		ED	DESCRIPTION	OWN	APPROVED	DATE
L	12301		ADDED -224 AND -225; SEE ECD	DBN	AM; FO	9/2/88

REVISIONS 3-0229 SH 1

DASH NO	CABLES ACCOMMODATED	A DIM	B HEX	ASSEMBLE PER
-201	M17/176-00002			
-202	TWC-78-1			
-203	TWC-124-1A	1.164	.255	TAI-143
-204	10602, RAYCHEM			
-205	TWAC-78-1F2			
-208	7828D0130, RAYCHEM			
-207	63310 BELDEN	1.289	.344	TAI-167
-208	202-9827 MICRODDOT	1.164	.255	TAI-143
-209	202-3842 MICRODDOT			
-210	8451 BELDEN			TAI-157
-211	202-9834 MICRODDOT			
-212	2524E0114, RAYCHEM			
-213	TWC-78-2	1.289	.344	TAI-144
-214	TWC-124-2			
-215	BL-982 TIMES			
-216	BL-1242 TIMES			
-217	GC875TM24N, GRUMMAN			
-218	EPO 221888, RAYCHEM			
-219	2526D1114, RAYCHEM			
-220	GC875RR1, GRUMMAN	1.164	.255	TAI-143
-221	10B14, RAYCHEM			
-222	10B13, RAYCHEM			
-223	HMS2-1149, HUGHES			
-224	TWCP-124-3	1.289	.344	TAI-144
-225	P3865PL, PRIME STOCK			

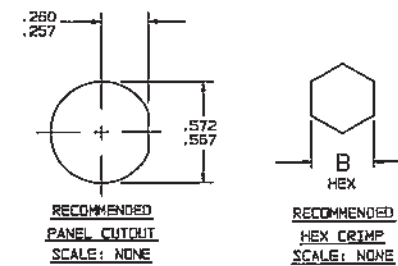
DASH NO	CABLES ACCOMMODATED	A DIM	B HEX	ASSEMBLE PER
-301	GC875GC1, GRUMMAN	1.164	.255	TAI-157
-302	GC875GB1, GRUMMAN S022E5111, RAYCHEM			
-303	7528A5314, RAYCHEM			
-304				
-305	M17/177-00001/295-9804 MICRODDOT			TAI-173
-306	TRC-50-2 M17/134-00002	1.289	.344	TAI-168
-307	TRC-75-1			TAI-173
-308	TRC-75-2			TAI-157
-309	TRC-50-1	1.164	.255	TAI-157

INCH	MM
.005	0.13
.030	0.76
.116	2.95
.255	6.48
.237	6.53
.260	6.60
.344	8.74
.587	14.40
.572	14.53
.580	14.73
.688	17.48
.775	19.69
1.00	25.40
1.164	29.57
1.25	31.75
1.289	32.74
1.75	44.45



- 1 SHRINKABLE STRAIN RELIEF AND/OR SHRINKABLE SEALING SLEEVE SUPPLIED LOOSE AS FOLLOWS:
- CABLE GROUPS -207, -210 & -307:
 - 1 SHRINKABLE STRAIN RELIEF (1.00 LONG)
 - 1 SHRINKABLE SEALING SLEEVE (1.25 LONG)
 - CABLE GROUPS -201 THROUGH -205, -208, -209, -217 THROUGH -223, -301, -302, -303 & -309:
 - 1 SHRINKABLE SEALING SLEEVE (1.25 LONG)
 - CABLE GROUPS -211 THROUGH -218, -224, 225, -305, -308, AND -306:
 - 1 SHRINKABLE STRAIN RELIEF (1.75 LONG)
4. HAX PANEL THK .116
3. 3-LUG SUBMINIATURE CONCENTRIC TWINAX (4 PIECE ASSY) AND TRIAX (8 PIECE ASSY) FULL CRIMP INSULATED BULKHEAD MOUNT RECEPTACLE
2. FINISH: YFS-1A (NICKEL)
1. ALL DIMENSIONS ARE IN INCHES

7. EXAMPLE OF COMPLETE MODEL NO:
BJ154C-201
- BASIC MODEL NO. CABLE GROUP DASH NO
6. EXAMPLE OF COMPLETE PART NO:
3-0228-201
- BASIC PART NO. CABLE GROUP DASH NO



DTY	DESCRIPTION	PART NUMBER	ITEM
TOL UNLESS SPECIFIED XX ±.03 .XXX ±.005 XXXXX AND LESSE	TROMPETER RF connectivity	BJ154C	
DWN	DBN 3/21/88	MATERIAL	CODE IDENT
CHK	WT 3-31-88	14949	3-0229
ENGR			
APPR	FO 4/6/88	SCALE 4/1	DATE 5-31-85 SHEET 1 OF 2