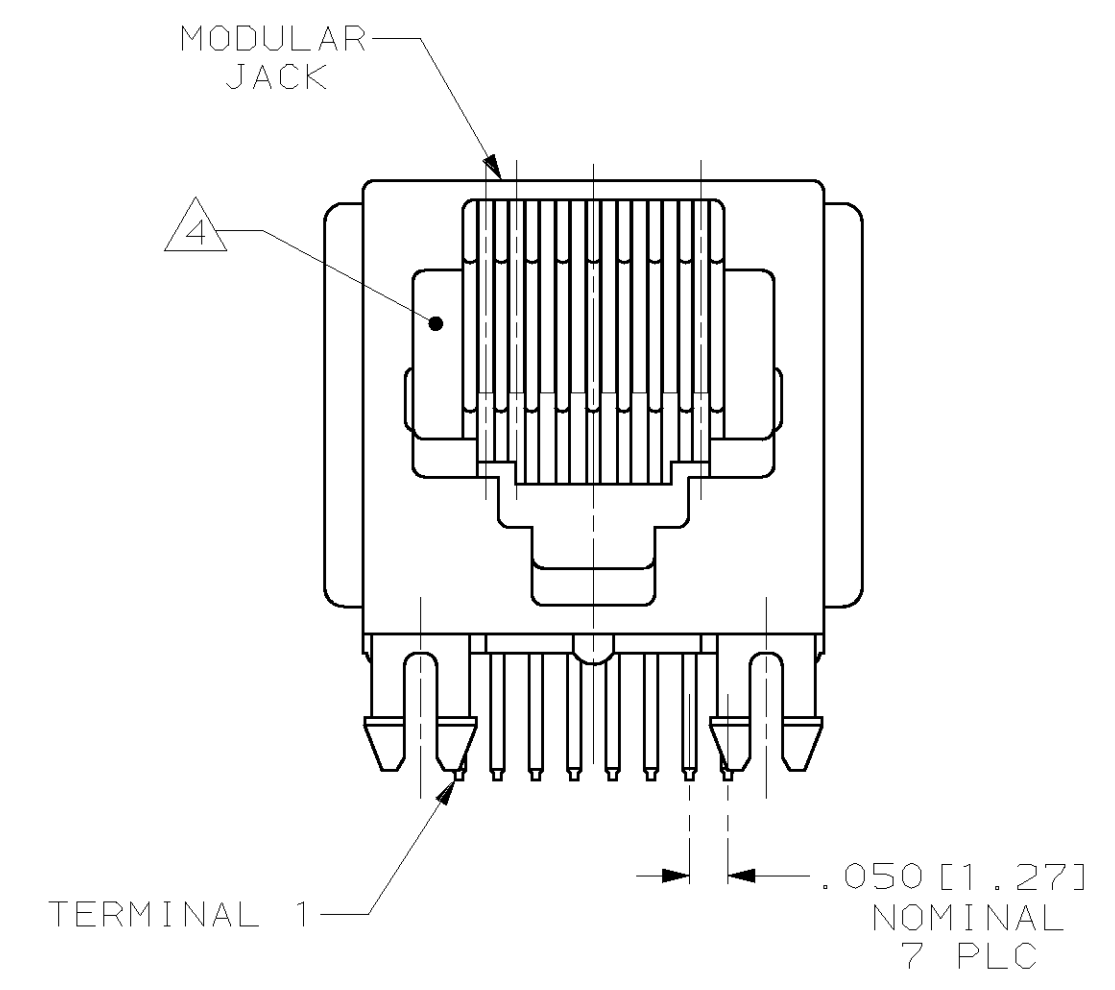
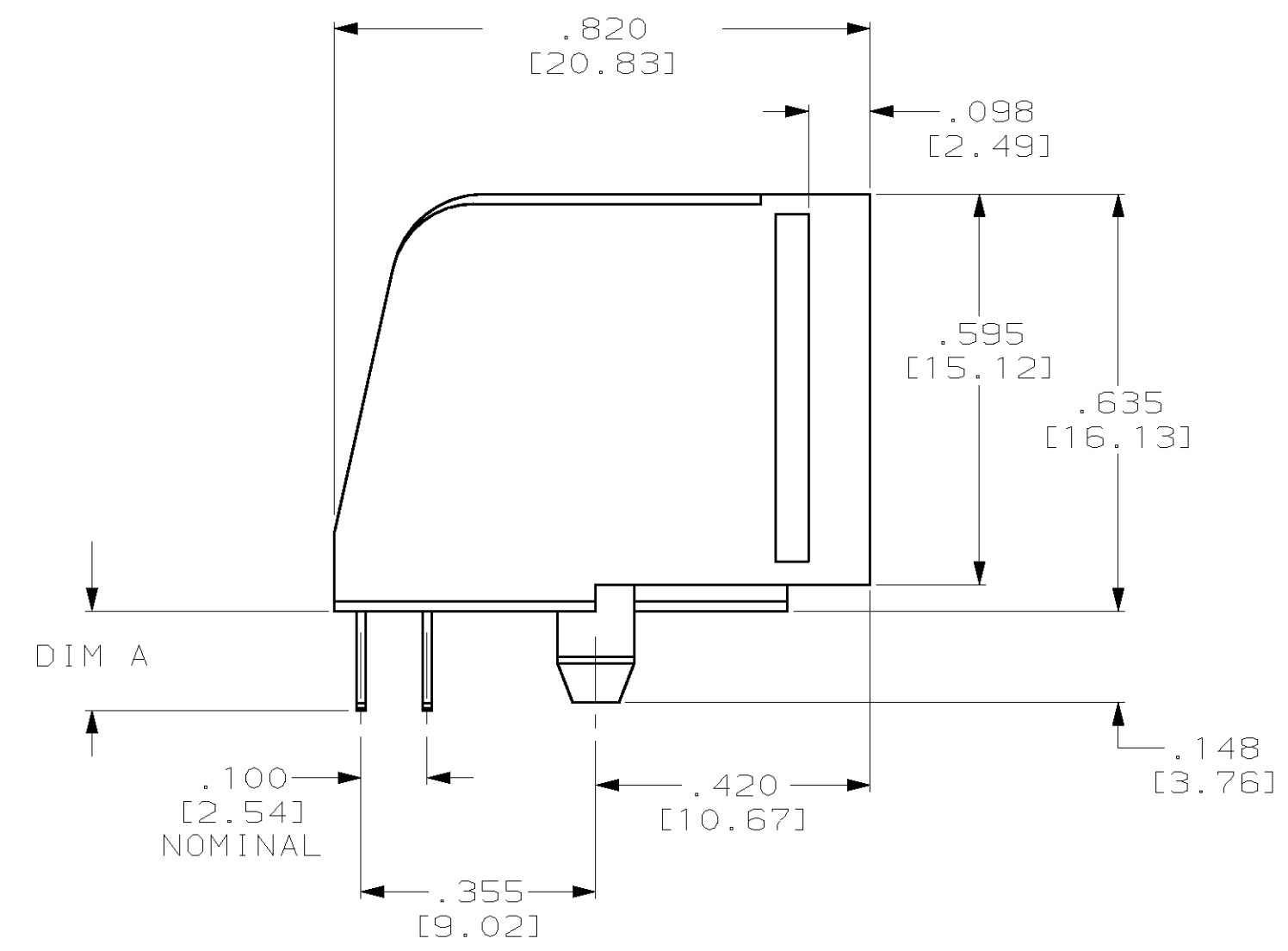
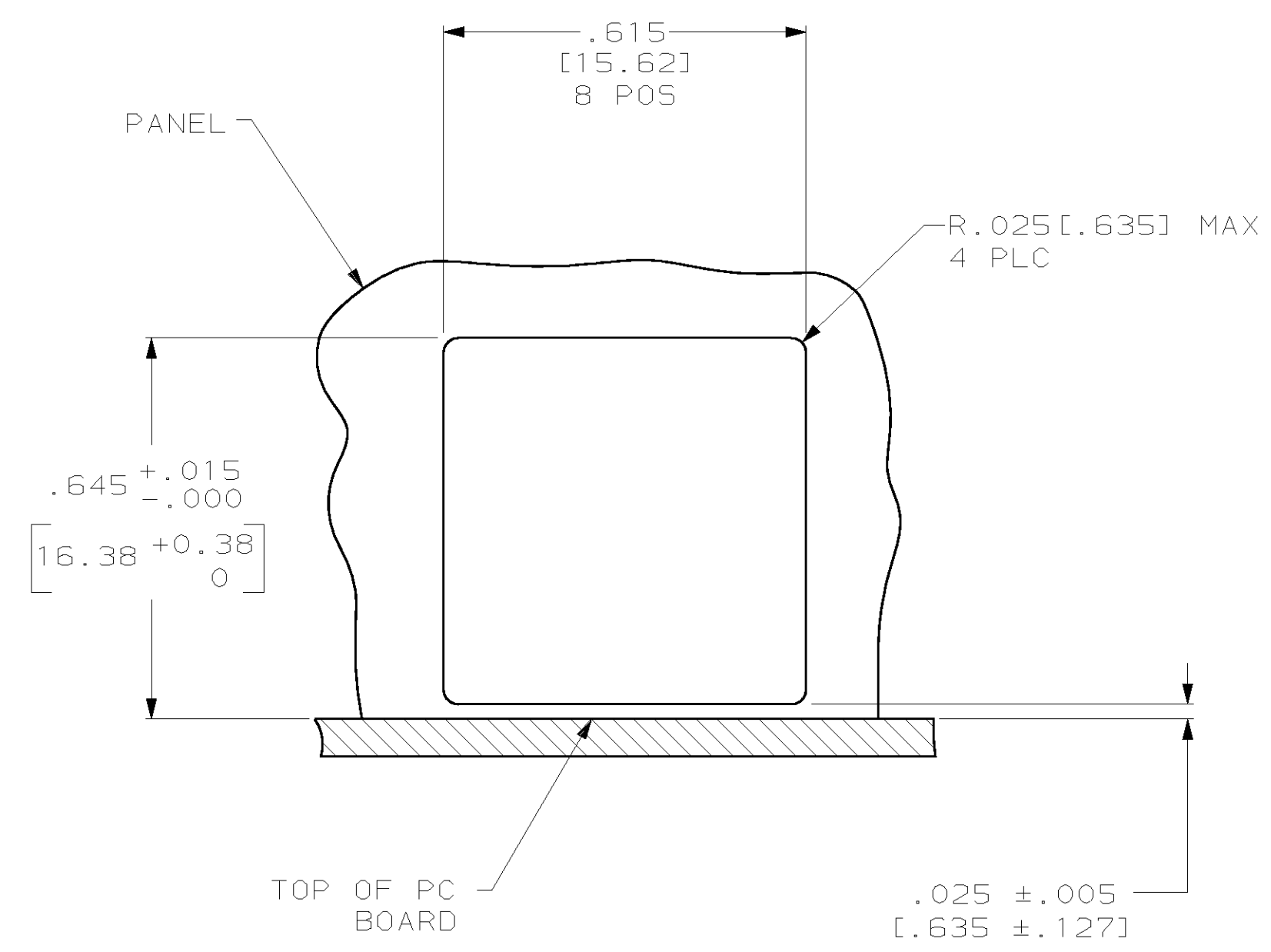
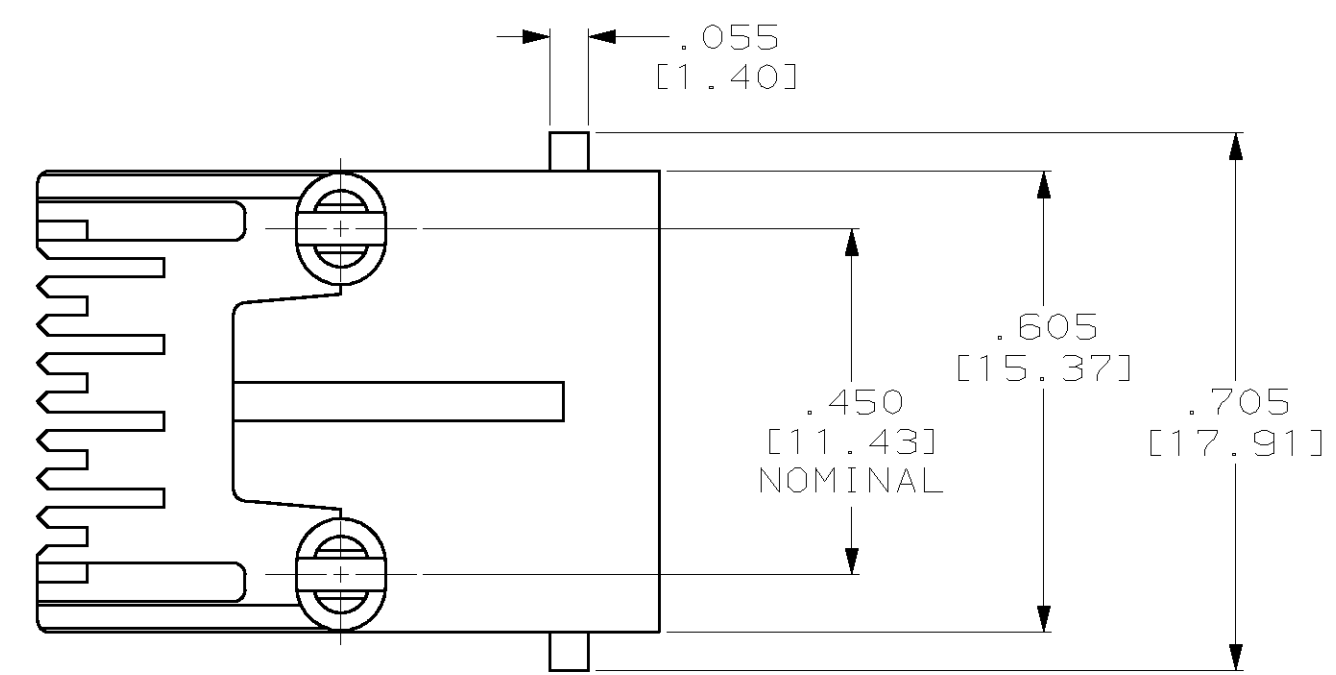


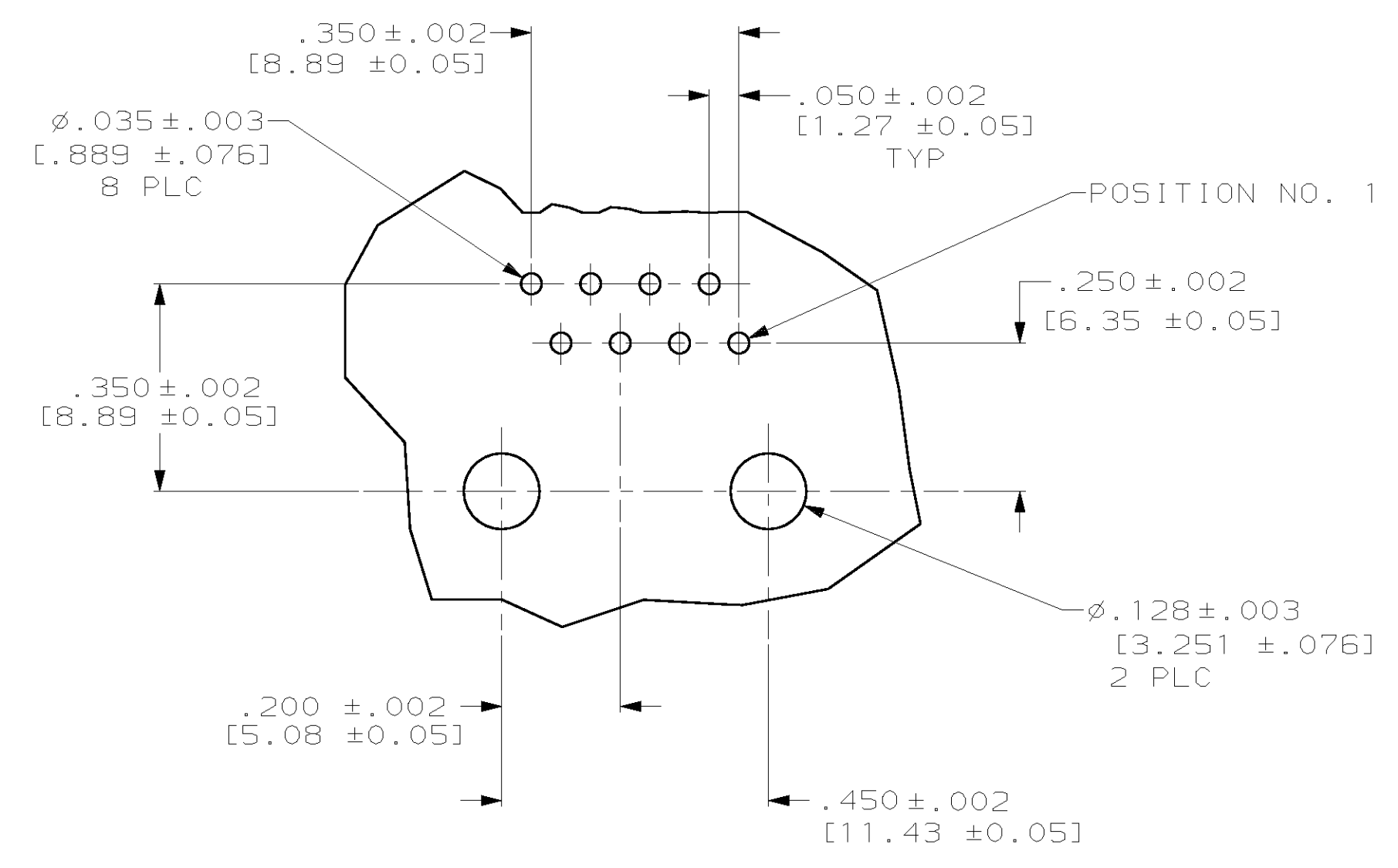
LOC		DIST		REVISIONS				
TR	LYR	DATE	OWN	APVD	DESCRIPTION	DATE	OWN	APVD
Z		20MAY02	DLD	BOK	REACTIVATED: -9; EC 0511-0065-02			



- △ DIMENSIONS ARE MAXIMUM UNLESS OTHERWISE SPECIFIED.
- 2. DIMENSIONS IN BRACKETS [ ] ARE IN MILLIMETERS.
- △ MATERIAL: HOUSING - PBT POLYESTER, BLACK. TERMINAL - PHOS-BRONZE PLATED WITH .000050 [1.27μm] THICK HARD GOLD IN LOCALIZED GOLD PLATE AREA AND .000080 [2.03μm] THICK TIN-LEAD IN SOLDER AREA OVER .000050 [1.27μm] THICK NICKEL UNDERPLATE.
- △ CAVITY CONFORMS TO FCC RULES AND REGULATIONS PART 68 AND REA BULLETIN 345-81, PE-76 SPECIFICATION FOR MODULAR TELEPHONE HARDWARE.
- △ BULK PACKAGED IN A TRAY.



SUGGESTED PANEL CUTOUT



SUGGESTED PRINTED CIRCUIT BOARD LAYOUT  
NONCOMPONENT SIDE SHOWN

.10-.12 [2.54-3.05]	△	8	520251-9
.13-.17 [3.30-4.32]	△	8	520251-4
DIM A	PACKAGED	TERMINALS	PART NUMBER

DIMENSIONS		TOLERANCES UNLESS OTHERWISE SPECIFIED		DWN		REV		DATE		NAME	
INCHES [mm]											
0 PLC	±	△		S.	GARRETT	05-10-95				AMP Incorporated	
1 PLC	±	△		N.	JONES	5-23-95				Harrisburg, PA 17105-3608	
2 PLC	±	△		F.	LAURER	5-30-95				AMP	
3 PLC	±	△								MODULAR JACK ASSEMBLY, SIDE ENTRY,	
4 PLC	±	△								8 POSITION, FLANGELESS, WITH PANEL STOPS	
ANGLES	±	△								SIZE	CAGE CODE
FINISH	±	△								A1	00779
										DRAWING NO	RESTRICTED TO
										C-520251	-
										SCALE	SHEET
										4:1	1 of 1
										REV	Z