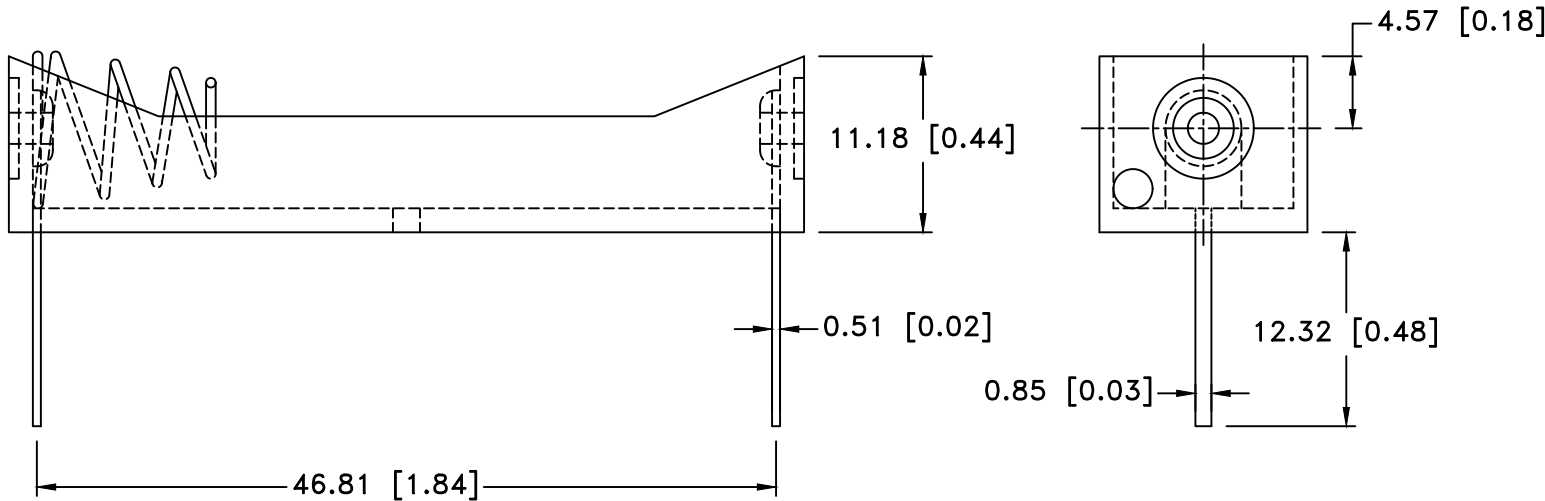
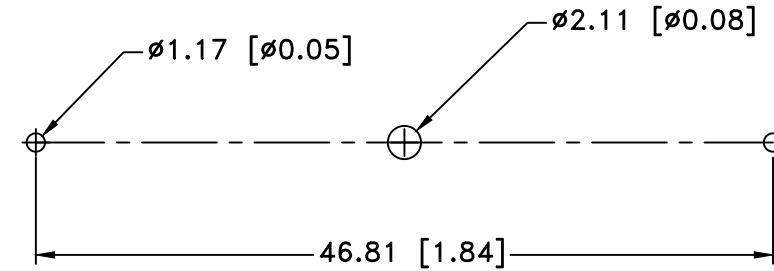
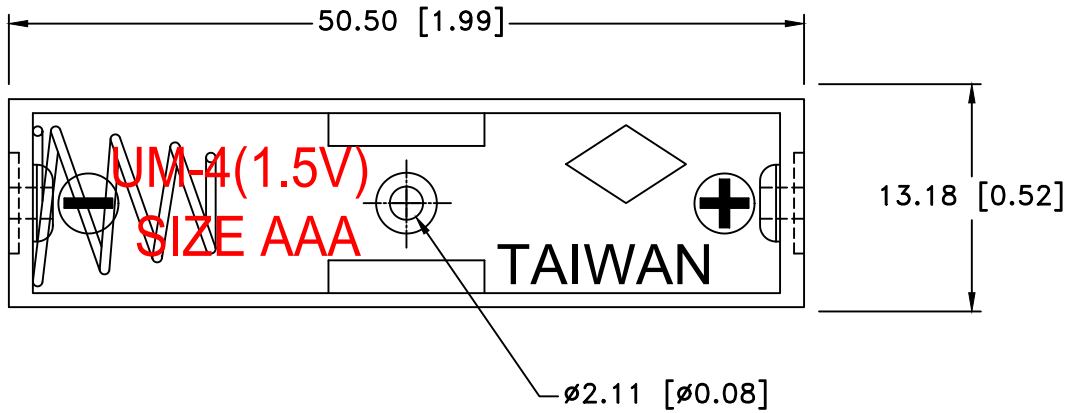


Date	SYM	REVISION RECORD	AUTH	DR.	CK.
07/07/17	D	DIM. 0.85 WAS 1.02	T.B.	B.S.	
03/26/19	E	UPDATED TO "ROHS COMPLIANT"	T.B.	B.S.	




NOTES:

Plastic material - Polypropylene
 Flammability Rating -UL94-HB, UL File NO. E216959
 Temperature Range: -10°C to +100°C
 Springs - Nickel Plated Spring Steel
 PC Pins: Steel, Nickel Plated
 Rivets - Brass, Nickel Plated
 CONTACT RESISTANCE: UNDER 50mΩ FOR +/- CONTACTS PER
 EIA-540J000
 ROHS COMPLIANT

Mounting Instruction:

Use 2-56 machine screws or eyelets 0.089" OD
 by 0.15" flange stimpson GS-3 series or equivalent.
 also adhesives and double sided tapes work well.

Tolerance (Except as noted)	 Memory Protection Devices, Inc 200 Broad Hollow Road, Farmingdale, New York 11735		
decimal $\pm .5$ (.020)		Scale	Drawn By B.S.
Fractional $\pm .8$ (.030)	Title	ONE "AAA" CELL HOLDER WITH PC PINS	
Angular $\pm 3^\circ$	Date	Drawing Number	
	03/26/19	BCAAAPC	
		Approved By T.B.	