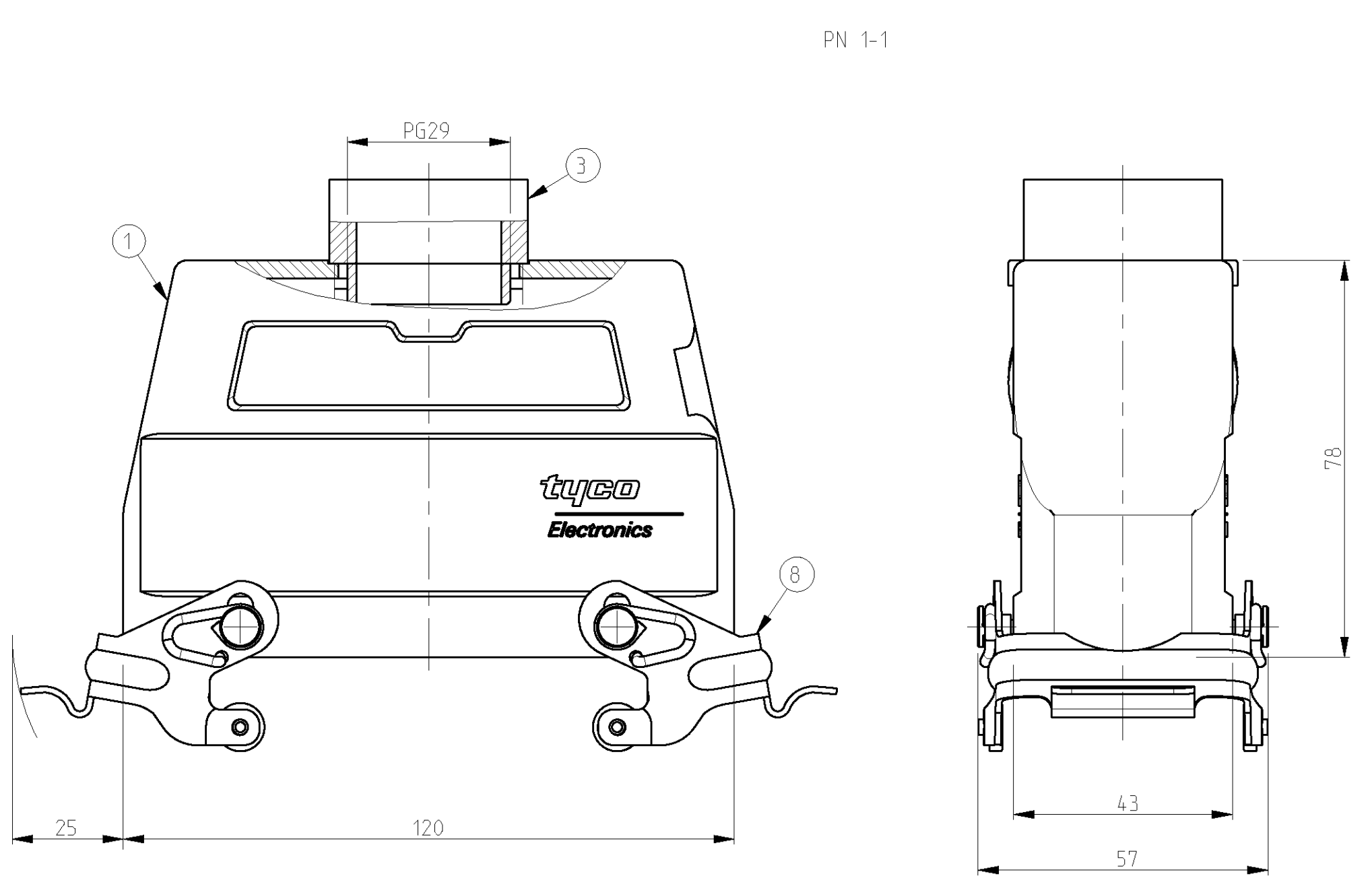
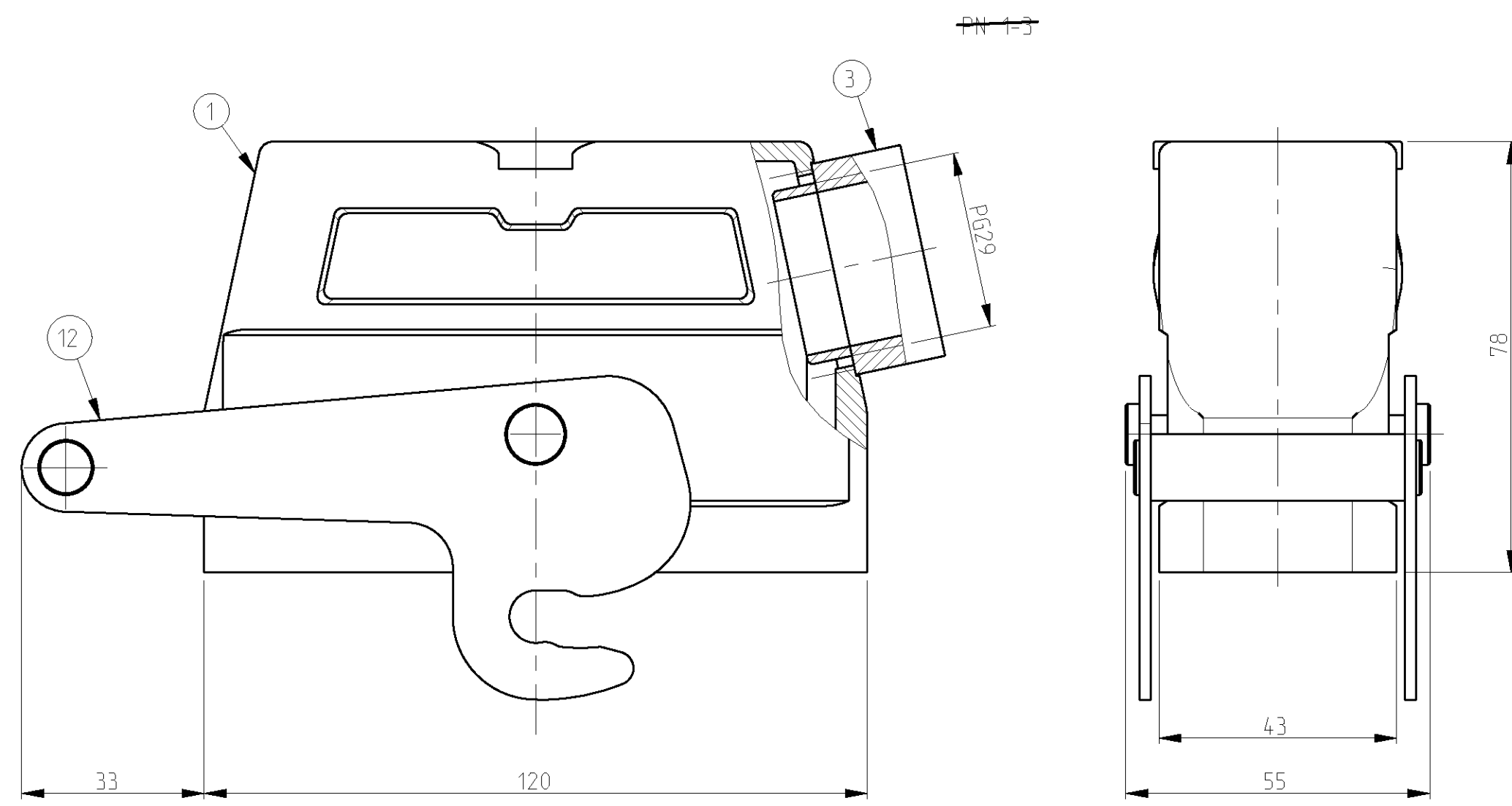
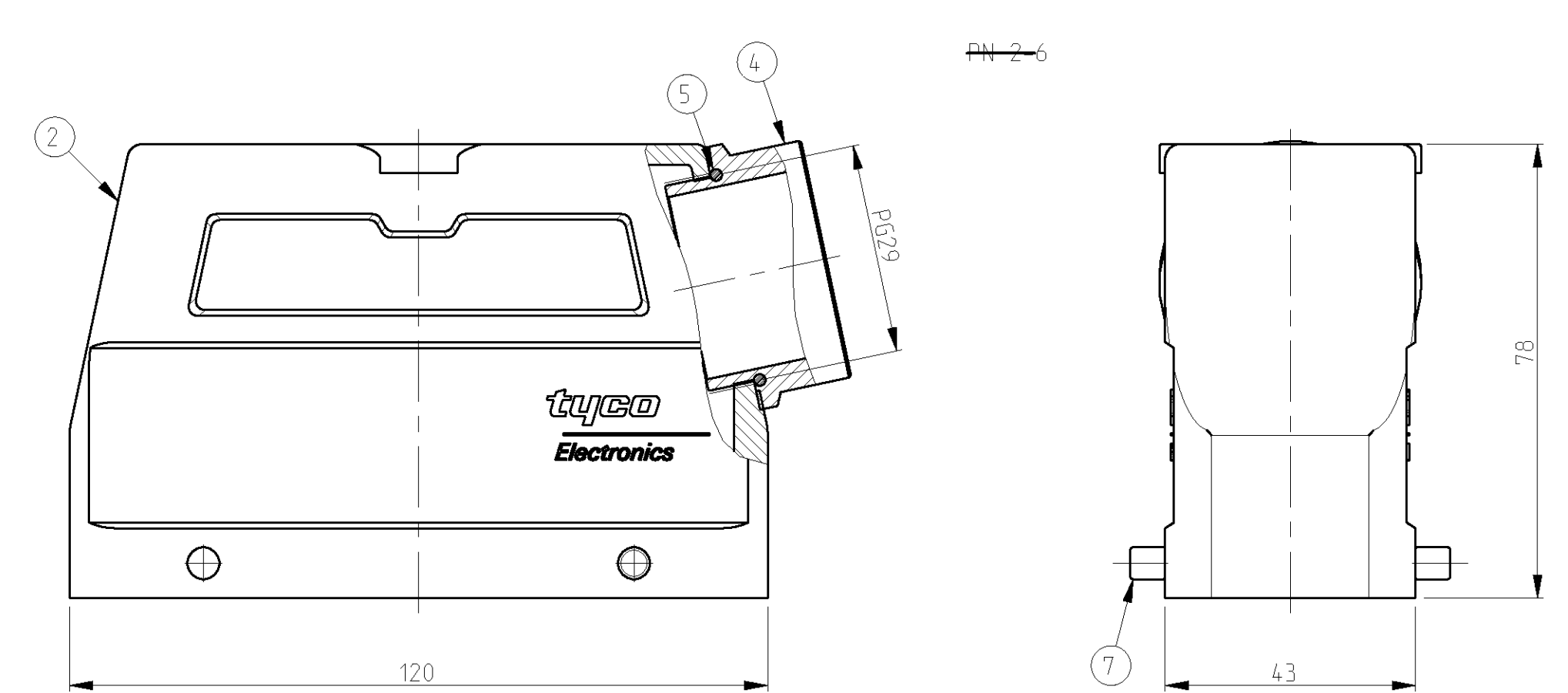
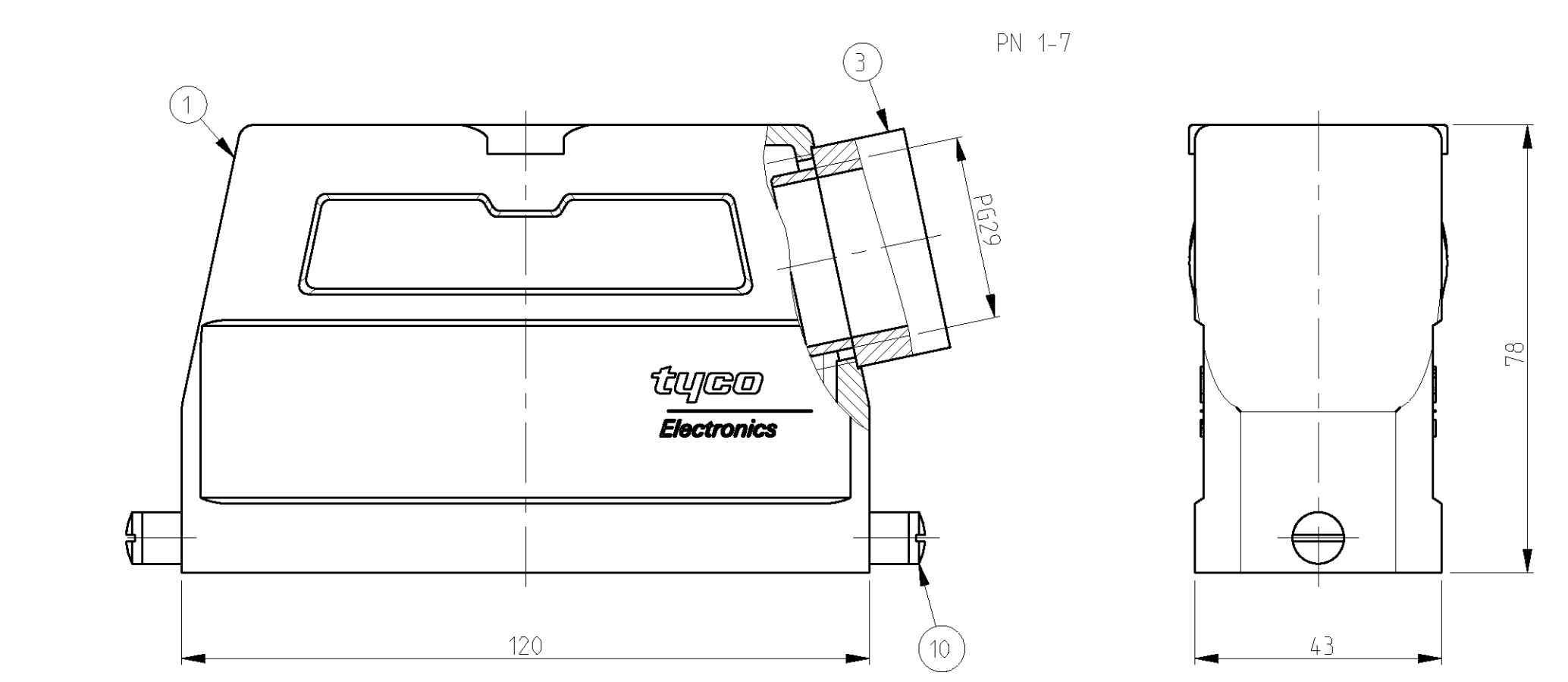
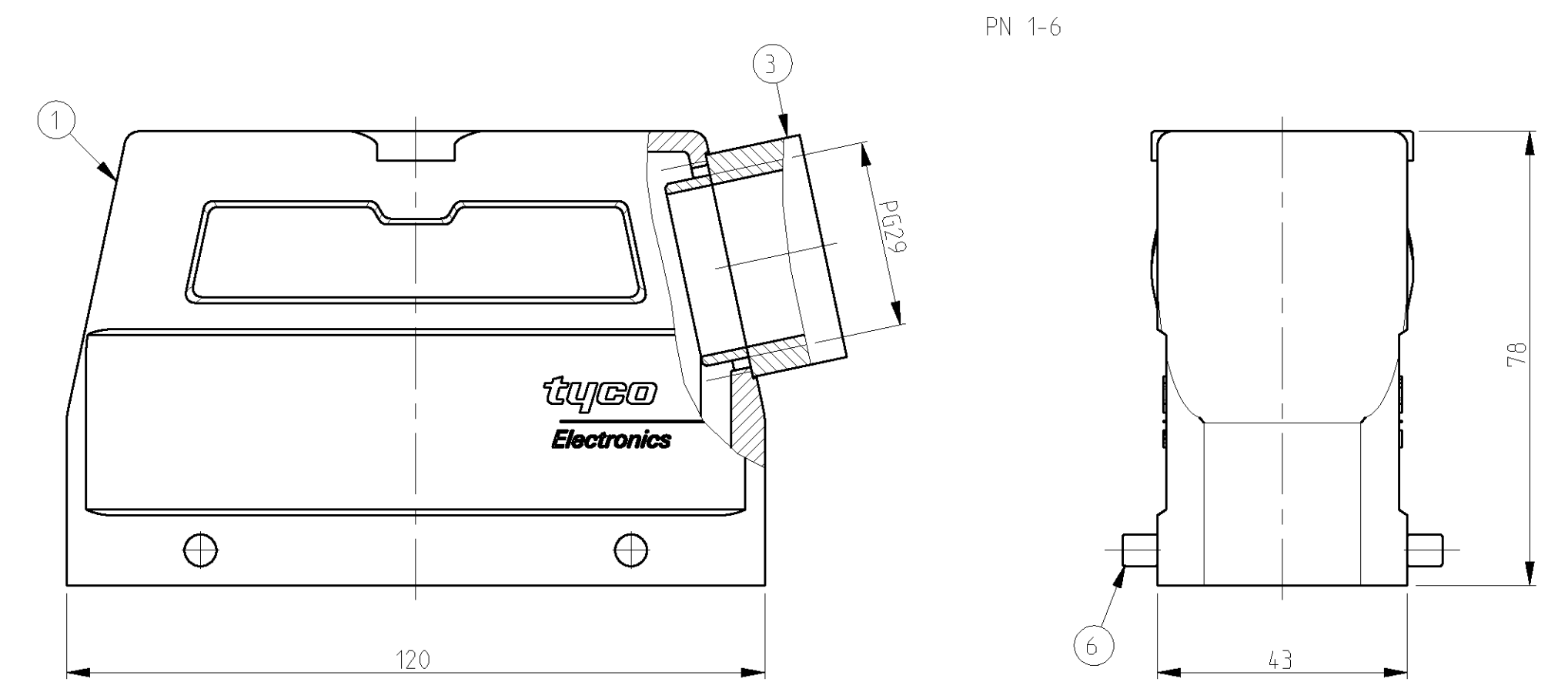
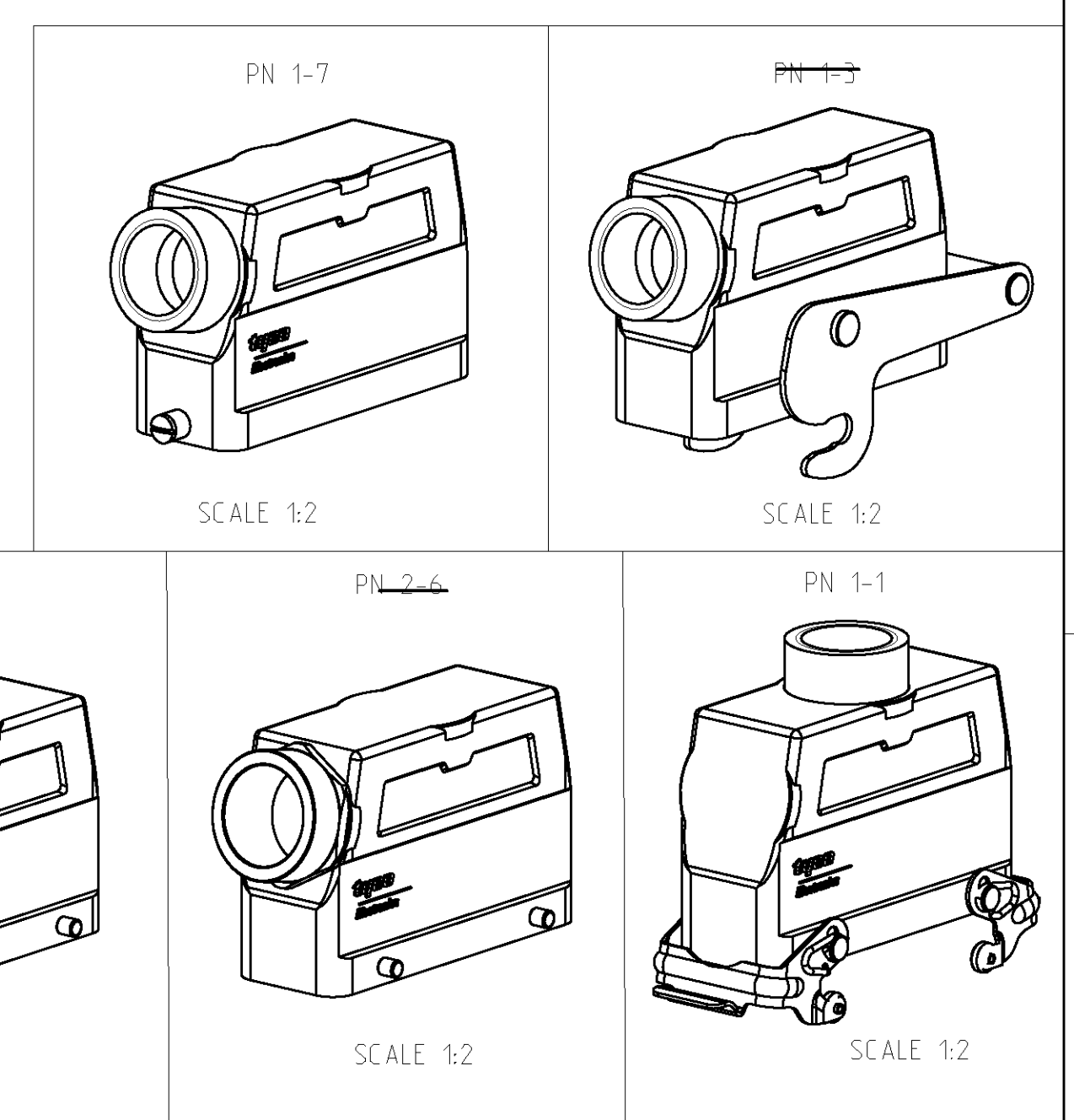


LOC	DIST	REV	DATE	BY	APPV
A1	-	A6	17.12.07	SP	TS
		A7	12JAN10	KK	AEG



- NOTES.
- Material:Housing:Aluminium Diecasting Alloy  
Seals:Neoprene
  - Surface-Powder Varnish Grey  
-Aluminium Oxide +  
Varnish Black
  - Varnish on the inside not necessary
  - Packaging  
Quantity 5 Pieces in a box
- OBsolete PARTS: OBSOLETE CIS STREAMLINING PER D.RENAUD/D.SINISI**



QTY	ITEM NO	DESCRIPTION	MATERIAL	SURFACE	COLOR	REMARKS
1	13	ZB-Central clip	Stainless steel	-	Blue	
1	12	ZB-Central clip	Steel	Zinc plated	Blue	
1	11	LB-Clip bolt	Stainless steel	-	Blue	
1	10	LB-Clip bolt	Steel	Zinc plated	Blue	
1	9	VS-Side clip	Stainless steel	-	Blue	
1	8	VS-Side clip	Steel	Zinc plated	Blue	
1	7	VS-Clip bolt	Stainless steel	-	Blue	
1	6	VS-Clip bolt	Steel	Zinc plated	Blue	
1	5	O ring Pg29	Neoprene	-	Black	
1	4	Adaptor 6kt Pg29	Brass	Nickel plated	Blue	
1	3	Adaptor Pg29	Brass	Nickel plated	Blue	
1	2	Hood HD.64.Pg.1.29	Aluminium	Aluminium oxide	Black	
1	1	Hood HD.64.Pg.1.29	Aluminium	-	Grey	

ORDERING TEXT

HD.64.Sts.1.29.Z  
 HD.K.64.Sts.1.29.Z  
 HD.64.Sts-VS.1.29.Z  
 HD.K.64.Sts-VS.1.29.Z  
 HD.64.Sts-GR.1.29.Z  
 HD.K.64.Sts-GR.1.29.Z  
 HD.Z.64.Sts-ZB.1.29.Z  
 HD.K.Z.64.Sts-ZB.1.29.Z  
 HD.64.Sts.1.29.Z.50

TYCO ELECTRONICS CORPORATION  
 AMP 4895 REV 31MAR2000

DATE: 11.11.1997  
 BY: Gfr. Gfr.  
 CHK: Krammer

Tyco Electronics AMP GmbH  
 D-53819 Neunkirchen, Germany

NAME: Hood  
 HD.64.STS.1.29.G

PRODUCT SPEC: 108-74001  
 108-74003

APPLICATION SPEC: 114-74001  
 114-74004

WEIGHT: A1100779 C=1103337

CUSTOMER DRAW ING

SCALE: 1:1 SHEET: 1 OF 1 REV: A7