

1. 製品名称／PRODUCT NAME : 2.0 FPC TO BOARD CONN PLUG JACKET

製品番号／PART NUMBER : 5 0 5 1 4 8 \* \* 0 8

( \* \* は極数を示す)

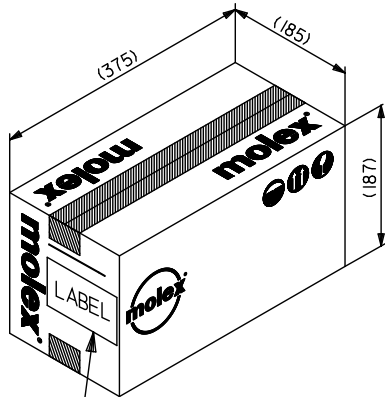
( \* \* IS CIRCUITS SIZE)

2. 標準梱包数／STANDARD PACKAGING QUANTITY

極 数 CKT. SIZE	ポリ袋 POLY BAG	内装カートン PRIMARY CARTON		外装カートン SHIPPING CARTON
	1袋中の製品数 QUANTITY IN ONE BAG	ポリ袋の数 NUMBER OF POLY BAG	製品数 QUANTITY	製品数(内装カートン×2) QUANTITY (PRIMARY CARTON X2)
2	1,000	15	15,000	30,000
3	1,000	12	12,000	24,000
4	1,000	12	12,000	24,000

REV.	A				
SHEET	1~2				
REVISE ON PC ONLY		TITLE:			
<b>A</b>	RELEASED 101537 2015/10/27 T.NAKAGAWA	5 0 5 1 4 8 梱包仕様書 SALES PACKAGING SPEC. FOR 505148			
	THIS DOCUMENT CONTAINS INFORMATION THAT IS PROPRIETARY TO MOLEX INC. AND SHOULD NOT BE USED WITHOUT WRITTEN PERMISSION				
REV.	DESCRIPTION				
DESIGN CONTROL J	STATUS	WRITTEN BY: T.NAKAGAWA01	CHECKED BY: T.HARUYAMA	APPROVED BY: H.HIRATA	DATE: 2015/10/27
DOCUMENT NUMBER 5051489200		DOC. TYPE PS	DOC. PART 200	CUSTOMER GENERAL	SHEET 1 OF 2

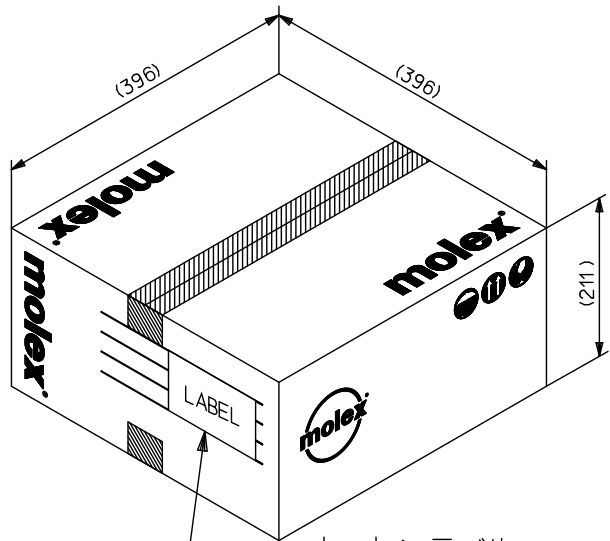
3. カートン外形参考寸法 / CARTON OUTER DIMENSIONS (REFERENCE PURPOSE ONLY)      単位 / UNIT: mm



カートンラベル  
CARTON LABEL

(製品型番, 数量, ロットNO. 表示)  
INDICATION OF PART No., QUANTITY, LOT No.

内装カートン  
PRIMARY CARTON



カートンラベル  
CARTON LABEL

(製品型番, 数量, ロットNO. 表示)  
INDICATION OF PART No., QUANTITY, LOT No.

外装カートン  
SHIPPING CARTON

<b>A</b>	REVISE ON PC ONLY	TITLE:  5 0 5 1 4 8 梱包仕様書 SALES PACKAGING SPEC. FOR 505148			
	SEE SHEET 1 OF 2				
REV.	DESCRIPTION	THIS DOCUMENT CONTAINS INFORMATION THAT IS PROPRIETARY TO MOLEX INC. AND SHOULD NOT BE USED WITHOUT WRITTEN PERMISSION			
DOCUMENT NUMBER 5051489200		DOC. TYPE PS	DOC. PART 200	CUSTOMER GENERAL	SHEET 2 OF 2