

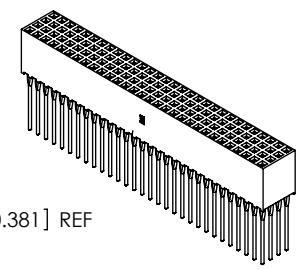
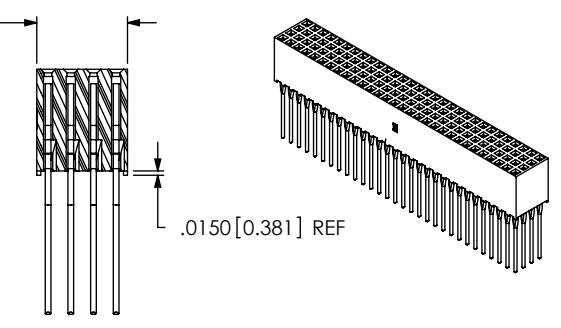
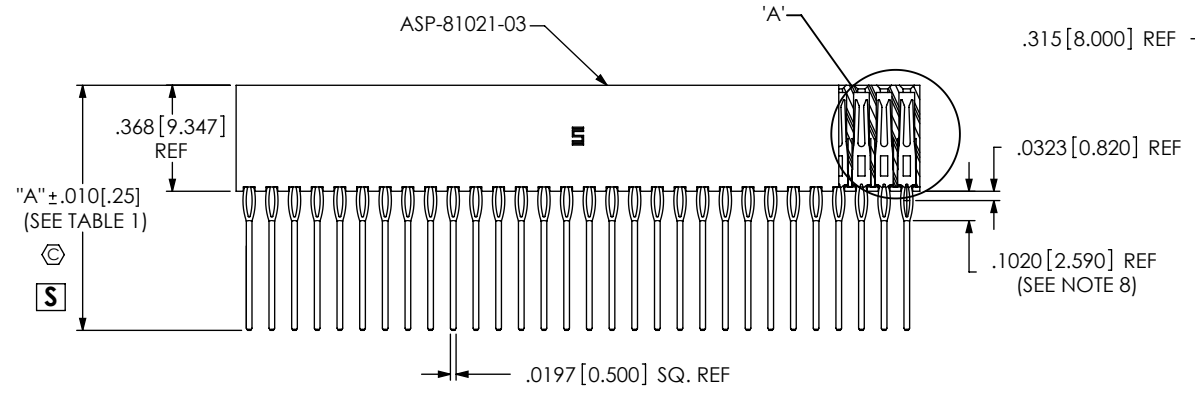
No OF POSITIONS  
2 - 30 PER ROW

LEAD STYLE  
-02: (USE ASP-71280-XX-X)  
-03: (USE ASP-71716-02-X)

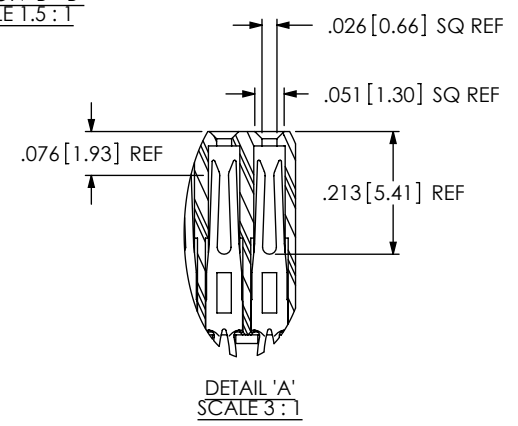
BOARD STACK HEIGHT

ROW SPECIFICATION  
-Q: QUAD ROW  
(USE ASP-81021-03)

PLATING SPECIFICATION  
-G: (USE ASP-71280-02-G)  
-02 LEAD STYLE ONLY  
-M: (USE ASP-71716-02-M)  
-03 LEAD STYLE ONLY  
-H: (USE ASP-71716-03-H)  
-03 LEAD STYLE ONLY  
-MM: (USE ASP-71716-02-MM)  
-03 LEAD STYLE ONLY  
-GF: (USE ASP-71280-07-GF)  
-02 LEAD STYLE ONLY

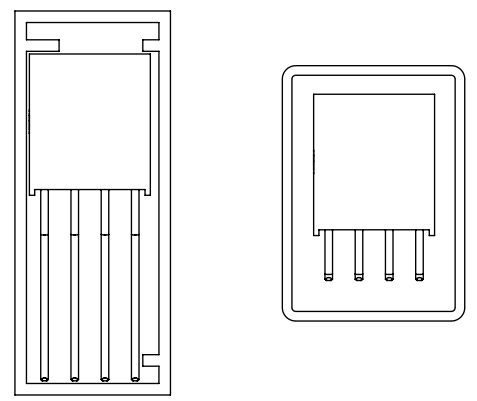


SECTION "A"-"A"  
SCALE 1.5:1



DETAIL 'A'  
SCALE 3:1

PACKAGING VIEWS



PTHF-1XX-02-G-Q  
TUBE: PT-1-24-02-51  
PLUG: TP-26

PTHF-1XX-03-M-Q  
TUBE: PT-1-24-01-52  
PLUG: TP-13

NOTES:

- ⊕ REPRESENTS A CRITICAL DIMENSION.
- BURR ALLOWANCE: .0015[.04] MAX.
- MAXIMUM CUT FLASH: .010[.25]
- MINIMUM PUSHOUT FORCE: .5 LB.
- MAXIMUM ALLOWABLE BOW: .002[.05] INCH/INCH AFTER ASSEMBLY.
- DELETED
- 5 THRU 30 POSITION PARTS TO BE TUBE PACKAGED, 2 THRU 4 POSITION PARTS TO BE BULK PACKAGED.
- SEE SAMTEC'S RECOMMENDED PCB FOOTPRINT FOR PROPER BOARD LAYOUT.

STYLE	"A"
-02	.850[21.59]
-03	.486[12.34]

<p>UNLESS OTHERWISE SPECIFIED, DIMENSIONS ARE IN INCHES. TOLERANCES ARE:</p> <p>DECIMALS ANGLES</p> <p>.XX: ±.01 [.3] 2°</p> <p>.XXX: ±.005 [.13]</p> <p>.XXXX: ±.0020 [.051]</p>	<p>PROPRIETARY NOTE</p> <p>THIS DOCUMENT CONTAINS INFORMATION CONFIDENTIAL AND PROPRIETARY TO SAMTEC, INC. AND SHALL NOT BE REPRODUCED OR TRANSFERRED TO OTHER DOCUMENTS OR DISCLOSED TO OTHERS OR USED FOR ANY PURPOSE OTHER THAN THAT WHICH IT WAS OBTAINED WITHOUT THE EXPRESSED WRITTEN CONSENT OF SAMTEC, INC.</p>	<p>520 PARK EAST BLVD. NEW ALBANY, IN 47150 PHONE: 812-944-6733 FAX: 812-948-5047 e-Mail: info@SAMTEC.com code: 55322</p>
<p>c:\enterprise\vauf\DWG\MISC\MKTG\PTHF-1XX-XX-XX-Q-368-MKT.SLDDRW</p>		<p>BY: T.WERNE 12/05/2000 SHEET 1 OF 1</p>