

4

3

2

1

NOTES:

- THIS RECEPTACLE WILL MATE WITH RACK AND PANEL PLUG CONNECTOR MTCRP-JHX-PX2 PROVIDED PROPER POWER BLOCK INSERTS ARE INSTALLED. REFER TO THAT DRAWING FOR PLUG CONNECTOR DETAILS.
- THIS CONNECTOR IS SUPPLIED UNASSEMBLED:

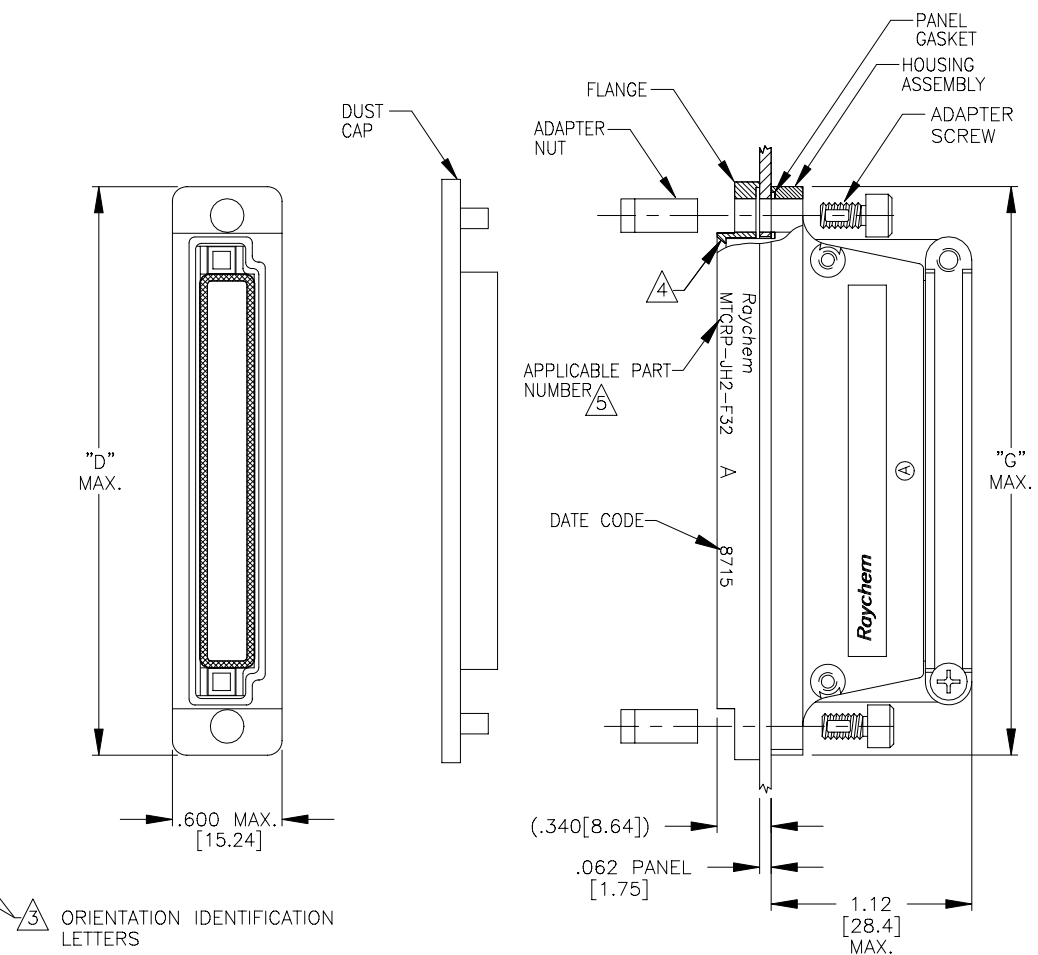
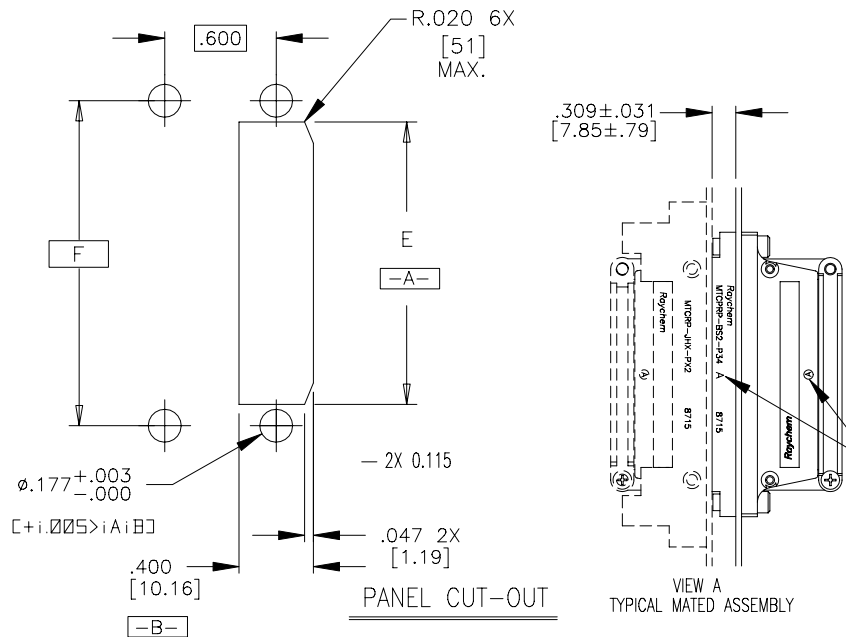
ADAPTER NUT	2	PIECES
FLANGE	1	PIECE
HOUSING	1	PIECE
ADAPTER SCREW	2	PIECES
CABLE CLAMP	2	PIECES
PANEL GASKET	1	PIECE
- CAUTION: ORIENTATION OF PLUG AND RECEPTACLE CONNECTORS MUST BE AS SHOWN IN VIEW "A". I.E. HOUSING ORIENTATION IDENTIFICATION LETTERS MUST ALL BE ON THE SAME SIDE OF THE MATED ASSEMBLY.
 - ④ LEAD-IN CHAMFER OF RECEPTACLE CONNECTOR ACCOMMODATES A MAXIMUM RADIAL MISALIGNMENT OF 0.035 BETWEEN PLUG AND RECEPTACLE.
 - ⑤ PART NUMBERING VARIABLE: MTCRP-JHX-FX2

1=	BLACK ANODIZE
2=	ELECTROLESS NICKEL
3=	CADMIUM PLATE

1=	1 INCH CONNECTOR
2=	2 INCH CONNECTOR
- THIS PART IS DESIGNED TO MEET THE REQUIREMENTS OF RAYCHEM SPECIFICATION C-6118. QUALIFICATION IS PENDING.

REVISIONS			
LTR	DESCRIPTION	DATE	APPROVED
2	REVISED PER ECN #T-12417	89JUN22	Z.E.T.
A	RELEASED PER ECN T-20498	95/12/22	M.HIGGY

**If this document is printed it becomes uncontrolled.
Check with the web for latest revision.**



SPECIFICATION CONTROL DRAWING

CONNECTOR SIZE	"D" MAX	"E" ±.006 [±.13]	"F" BASIC	"G" ±.02	WEIGHT MAX
2 INCH	3.125 [79.38]	2.520 [64.01]	2.750 [69.85]	3.06 [77.7]	.070 LBS. 31.55 GR
1 INCH	2.125 [53.98]	1.520 [38.61]	1.750 [38.10]	2.06 [52.3]	.045 LBS. 20.49 GR

UNLESS OTHERWISE SPECIFIED DIMENSIONS ARE IN INCHES. METRIC DIMENSIONS ARE IN BRACKETS.	DRAWN	A.A.	1-6-86
DECIMALS	CHECKED	J.B.	
.XXX ± ----	APPROVED	J.BLAIR	1-10-86
.XX ± ----	APPROVED	J.CAMERON	1-10-86
ANGLES	CAD NAME	001102-1.DWG	
.X ±	THIRD ANGLE PROJECTION		
WEIGHT: MAXIMUM SEE TABLE			

Raychem				RAYCHEM CORPORATION 300 CONSTITUTION DRIVE MENLO PARK, CALIFORNIA 94025	
TITLE CONNECTOR, RECEPTACLE RACK AND PANEL					
MTC SERIES					
SIZE	CODE IDENT. NO.	DWG. NO.	REV		
C	06090	MTCRP-JHX-FX2	A		
DO NOT SCALE THIS DRAWING			SHEET 1 OF 1		

4

3

2

1

DWG NO. MTCRP-JHX-FX2 SHEET 1