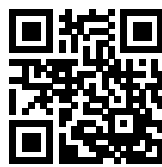


# IL 13P IEC C13 Rewireable Connectors with Locking System



The locking system has a tensile force of typical 300N. It is recommended to use it with flange mount filters. For details refer to our Application Note "Using IEC Lock Power Cords with IEC Inlets and Filters".

Schaffner power connector with IEC lock guard against accidental disconnection of all electrical appliances with an IEC inlet. No exchange or modification of the IEC inlet or IEC inlet filter system is needed. Easy retrofit for all electronic equipments and devices



### Approvals & Compliances



Patents: EU Patent No. EP 14594121

### Features and Benefits

- Power cord connector with locking system for IEC inlets
- Suitable for use with any C14 IEC inlet
- Fits the complete Schaffner IEC inlet filter program with C14 IEC inlet
- Max. pin temperature 70 °C

### Typical Applications

- Data centers
- Industrial equipment
- Medical devices
- In-vitro diagnostic devices
- Broadcasting stations
- Mobile applications

### Technical Specifications

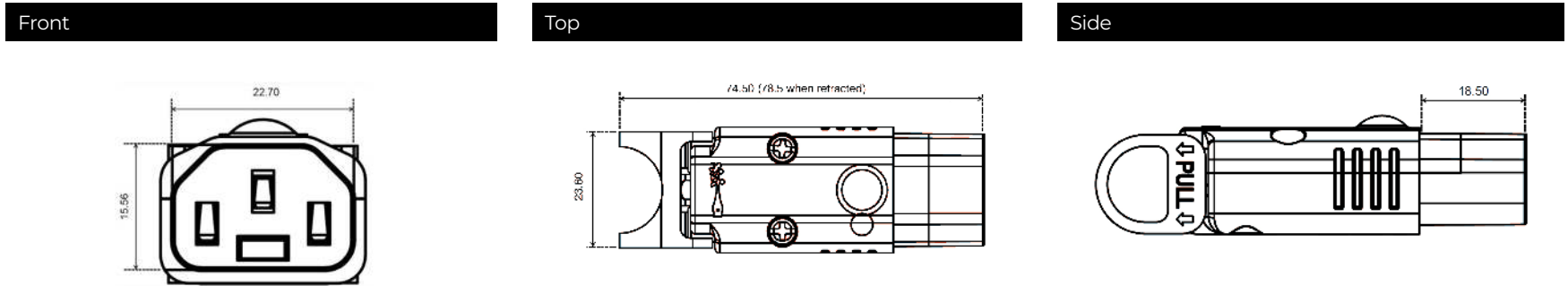
<b>Approvals by rated current</b>	1 to 10 A (ENEC) 1 to 15 A (UL, CSA)
<b>High potential test voltage</b>	P-> PE 2000 VAC (1 min 50 Hz) P-> N 2000 VAC (1 min 50 Hz)
<b>Maximum continuous operating voltage</b>	250 VAC, 50/60 Hz
<b>Protection category</b>	IP20 according IEC 60529
<b>Temperature range (operation and storage)</b>	-25 °C to +70 °C

There are different Versions available (straight and angled), please select the Ordercode in the table below:

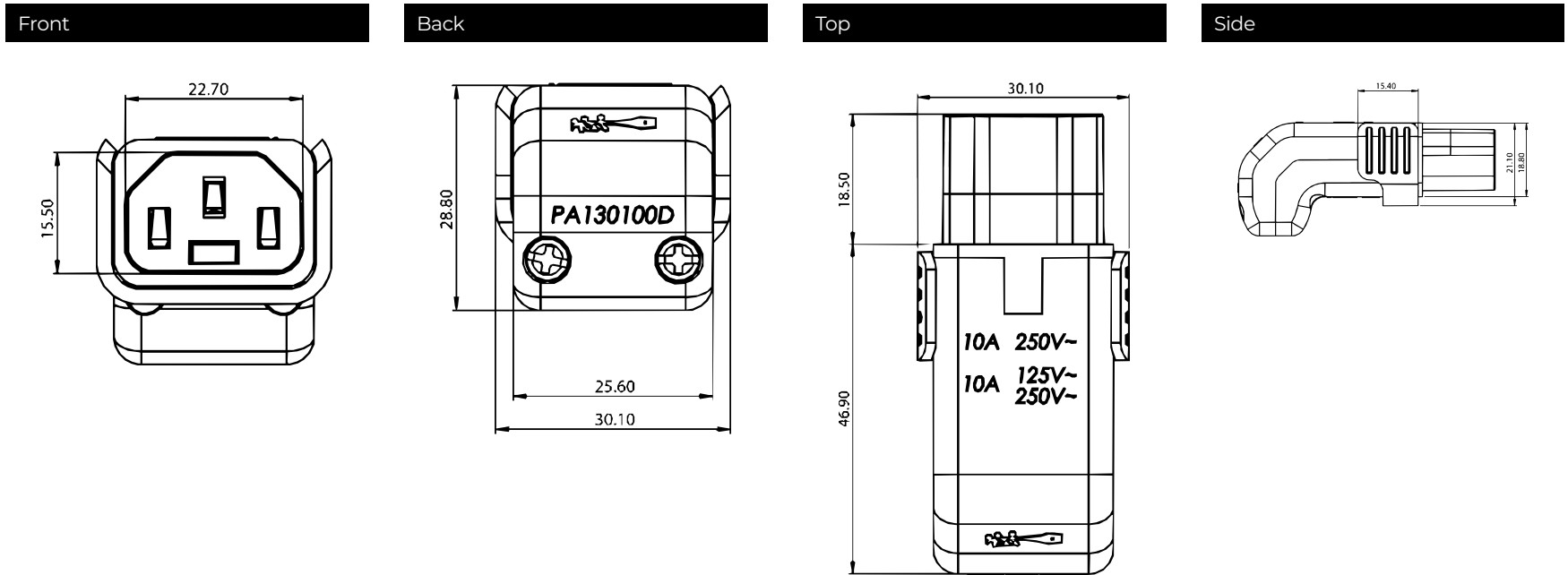
<b>Straight Version</b>	
<b>Rewireable Connector (not PSE approved):</b>	815763
<b>Rewireable Connector (PSE approved):</b>	816590
<b>Angled Version</b>	
<b>Up/Down Angled Rewireable Connector:</b>	820893
<b>Left/Right Angled Rewireable Connector:</b>	820892

The nominal torque value for the terminal screws is 0.4Nm. The strain relief clamping screws should be tightened with 0.3Nm. Additional instruction manual is available on request.

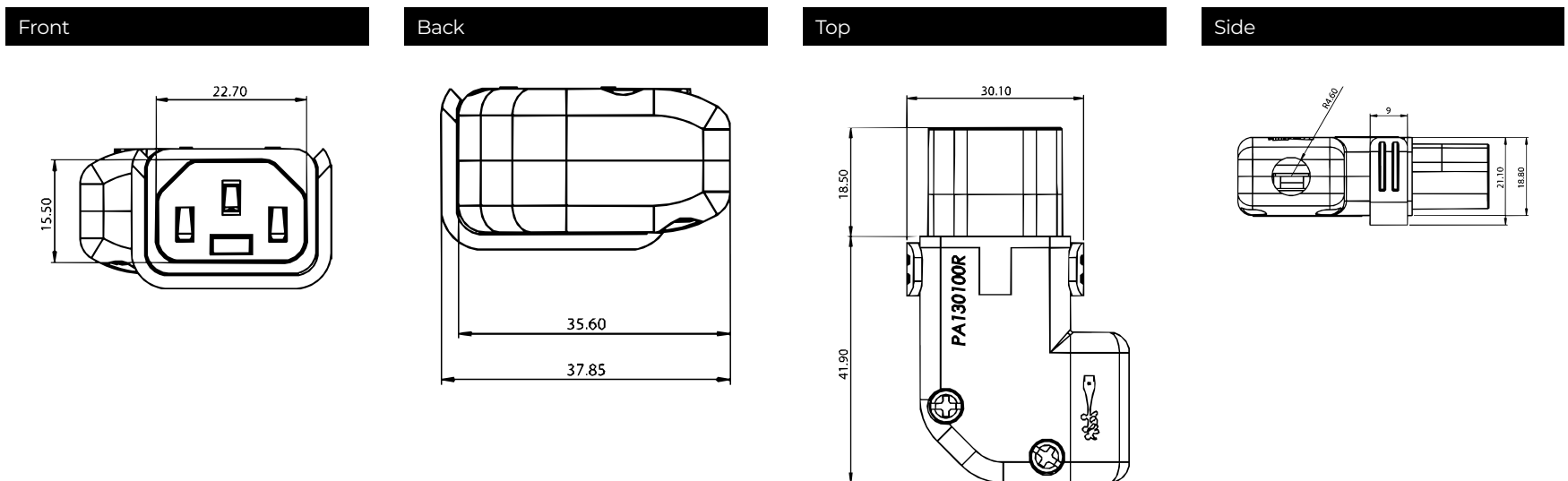
**Straight Rewirable IEC Lock+ Appliance Outlet Front**



**Down (& Up) Angled Rewirable IEC Lock+ Appliance Outlet**



**Right (& Left) Angled Rewirable IEC Lock+ Appliance Outlet**



All dimensions in mm; 1 inch = 25.4 mm  
Tolerances according: ISO 2768-m/EN 22768-m

## Accessories

### IL 13P IEC C13 Rewireable Angled Connectors with Locking System

- Protects appliances that are vulnerable to vibration
- Connector cannot be accidentally pulled or vibrated out of the inlet
- Space availability/constraints
- Different angles for ease of access
- Space saving
- Release locking mechanism
- Prevents accidental disconnection

[Technical Data Sheet >](#)