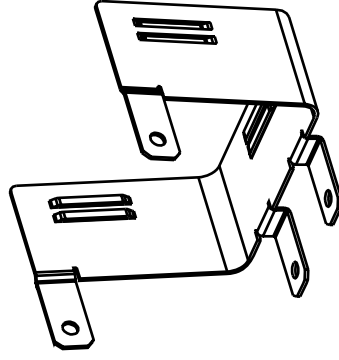
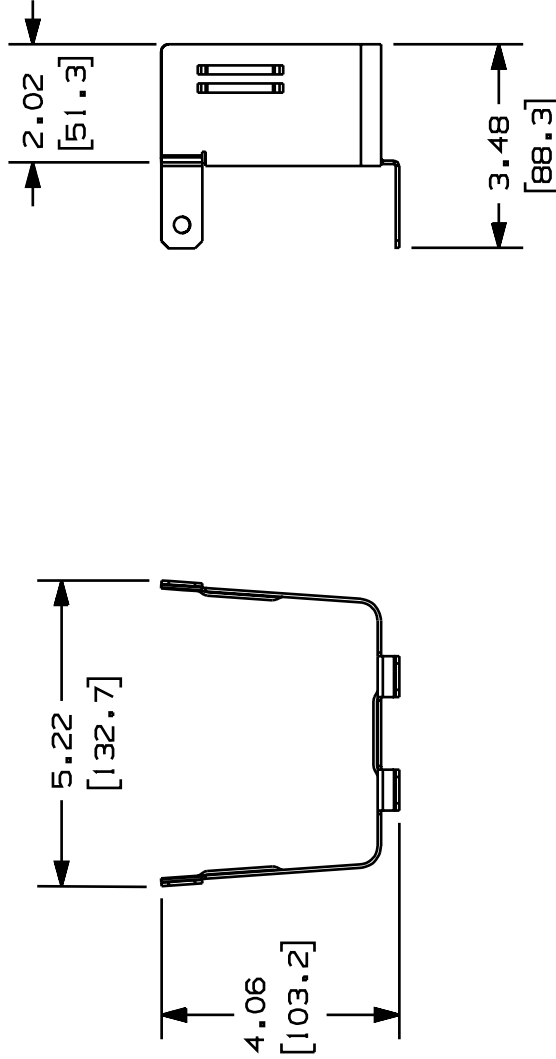
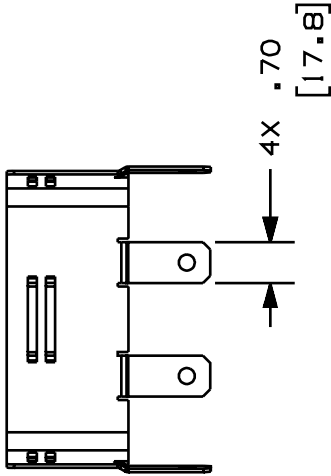


THIS COPY IS PROVIDED ON A RESTRICTED BASIS AND IS NOT TO BE USED IN ANY WAY DETRIMENTAL TO THE INTERESTS OF PANDUIT CORP.

PANDUIT P/N	WEIGHT
FRADC4X4	.49 LB /PC. (2239 /PC.)

NOTES:

- SEE CURRENT CATALOG FOR ADDITIONAL PART SUFFIXES TO INDICATE PACKAGE QUANTITY.
- THE FRADC4X4 KIT INCLUDE:
ONE (1) ADAPTER,
FOUR (4) 1/4-20 X 5/8 HEX BOLTS,
FOUR (4) 3/4 O.D. X 5/16 I.D. FLAT WASHER,
FOUR (4) 1/4-20 HEX NUTS.
- FINISH COLOR: BLACK
- DIMENSIONS IN PARENTHESIS ARE IN METRIC.



ENG. REF.: D37847CM_DC_FRADC4X4_00A.prt

CAD FILENAME/LAYERS

37847-66.PDF

PANDUIT		CORP. TINLEY PARK, ILLINOIS	
FIBERRUNNER™ 4x4 ADC ADAPTER		KIT (FRADC4X4)	
CUSTOMER DRAWING		UNLESS OTHERWISE SPECIFIED, ALL DIMENSIONS ARE GIVEN IN INCHES, THIRD ANGLE PROJECTION.	
UNLESS OTHERWISE SPECIFIED, DIMENSIONAL TOLERANCES ARE: (.XX) ±.031(.8) ANGLES : (.X) ±.005 (.XXX) ±.001		SCALE NONE	
DRAWN BY JHNU	MAT'L STEEL	DRAWING NO. 37847-66	DRG A
DATE 7-18-01	STEEL		
CHECKED BY			
ECN	CHK	CUST	SUP
RELEASED TO PRODUCTION.			
REV R	DATE 7-18-01	BY JHNU	DESCRIPTION