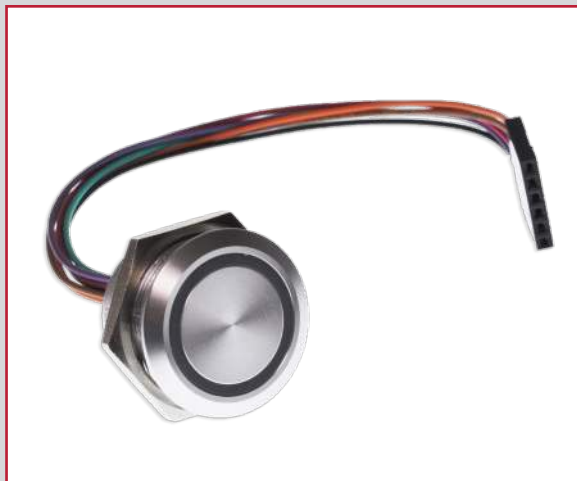


CS SERIES ANTI-VANDAL SWITCH

ANTI-VANDAL SWITCHES
DETECTOR SWITCHES
DIP SWITCHES
KEYLOCK SWITCHES
NAVIGATION SWITCHES
PUSHBUTTON SWITCHES
ROCKER SWITCHES
ROTARY SWITCHES
SLIDE SWITCHES
SNAP ACTION SWITCHES
TACTILE SWITCHES
TOGGLE SWITCHES
CAP OPTIONS



APPLICATIONS / MARKETS



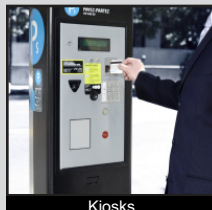
White Goods



Security Devices



Commercial Appliances



Kiosks



Electrical Housewares



Medical Equipment

RoHS

SPECIFICATIONS

Contact Arrangement: SPST
Contact Rating: 1A @ 5-24VDC
Contact Resistance: 1Ω Max.
Electrical Life: 50,000,000 Cycles
Operating Temperature: -20°C to 65°C
Storage Temperature: -25°C to 65°C
Panel Thickness: 10mm Max.
Mounting Nut Torque: 3.0Nm

FEATURES & BENEFITS

- 19mm or 22mm panel cutouts
- Latching or Momentary Function options
- Ring or Ring/Power Symbol lens options
- Red, Green, or Blue color options
- Capacitive switching technology (Touch Sensor)

PART NUMBER CONFIGURATOR

Series



CS

Size Option



4 - 19mm
7 - 22mm

Function



L - Latching
M - Momentary

Material Finish



2 - Aluminum, Clear Anodized

Button Style



F - Flat

Lens Style



R - Ring Illumination
P - Power Symbol and Ring Illuminated

NOTES:

*(ON) Denotes function is momentary

Specifications subject to change without notice 2.11.2021



E-SWITCH®

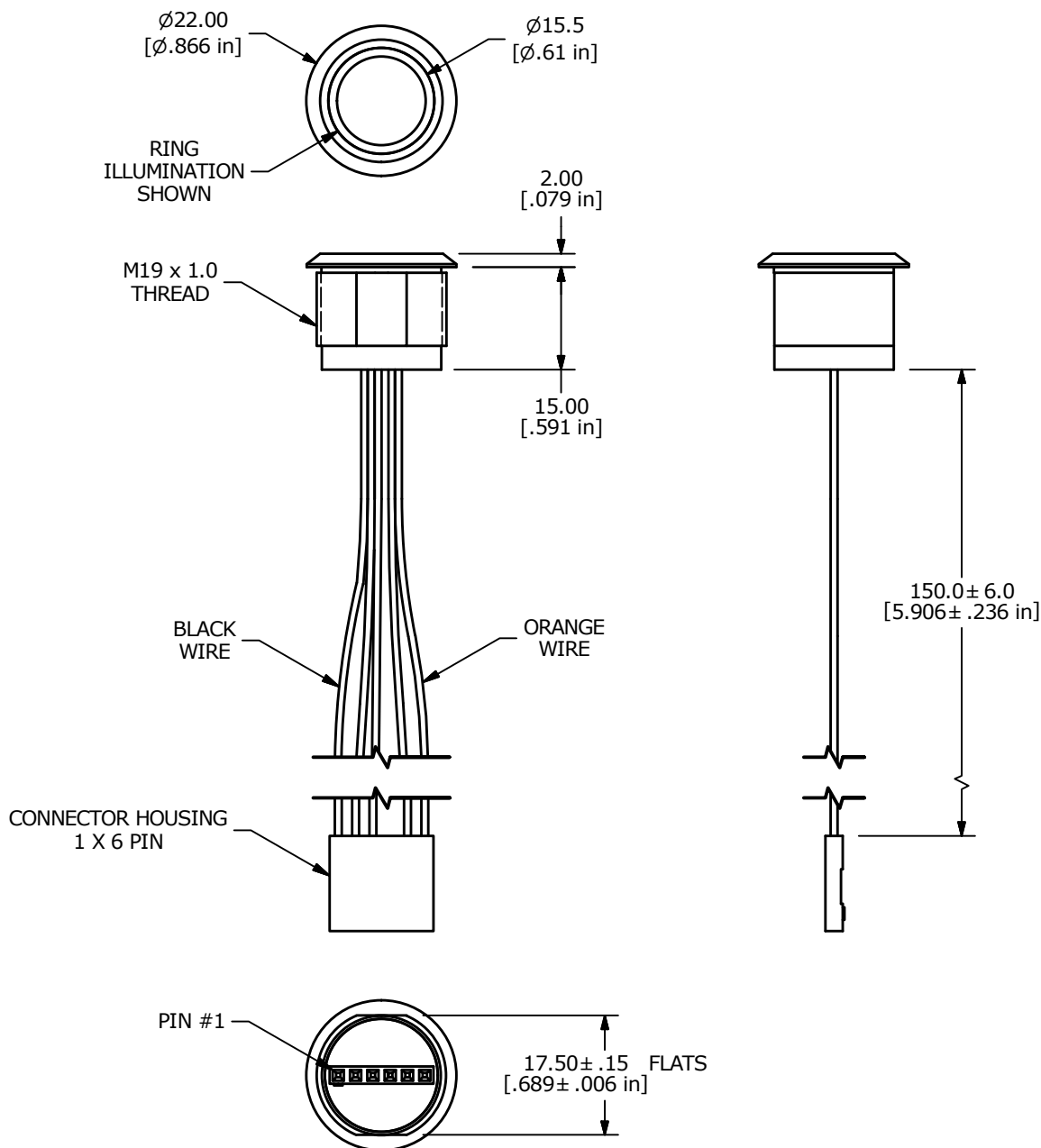
www.e-switch.com

800.867.2717

1

CS SERIES ANTI-VANDAL SWITCH

BODY DIMENSIONS 19MM



ANTI-VANDAL SWITCHES

DETECTOR SWITCHES

DIP SWITCHES

KEYLOCK SWITCHES

NAVIGATION SWITCHES

PUSHBUTTON SWITCHES

ROCKER SWITCHES

ROTARY SWITCHES

SLIDE SWITCHES

SNAP ACTION SWITCHES

TACTILE SWITCHES

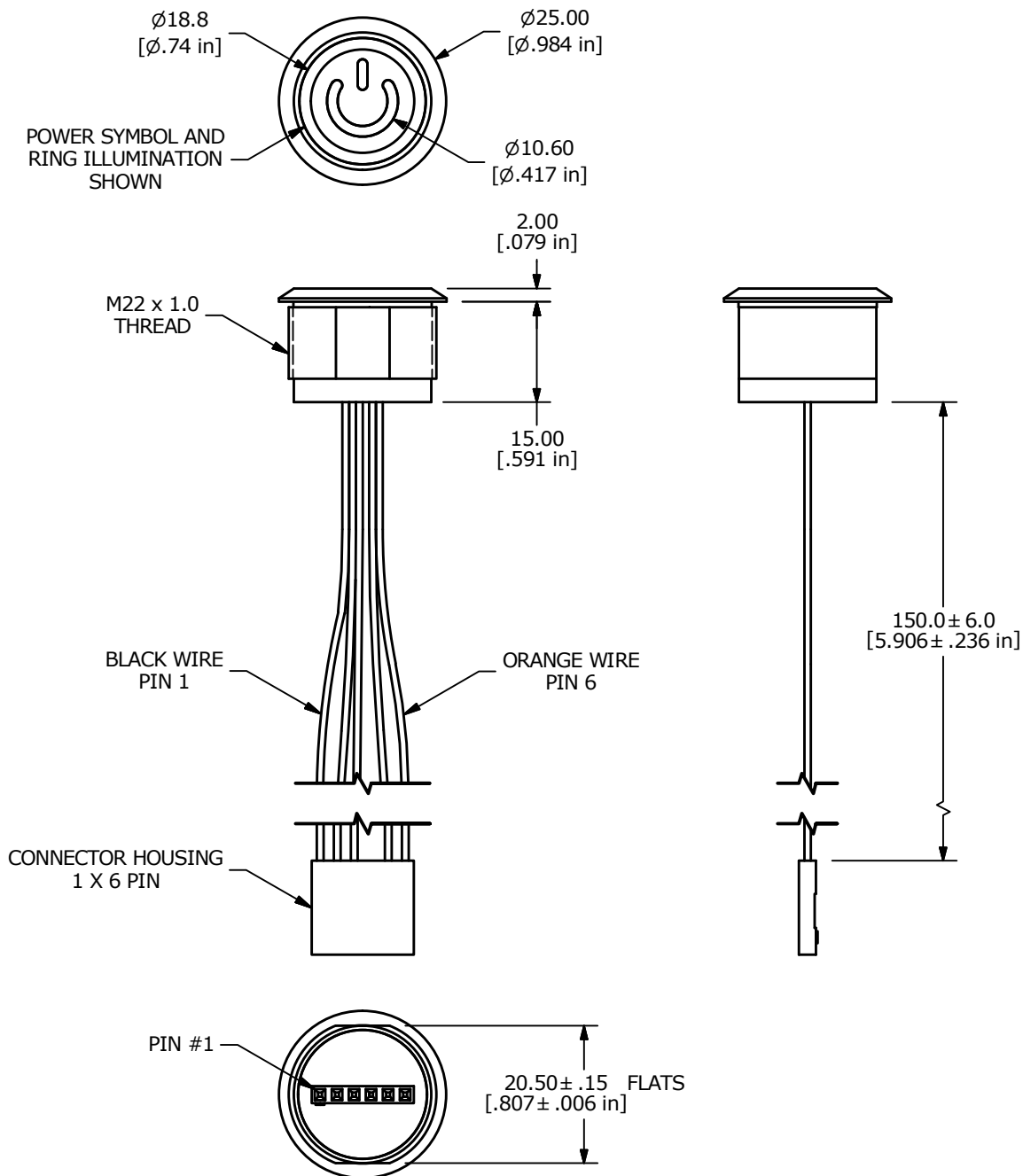
TOGGLE SWITCHES

CAP OPTIONS



CS SERIES ANTI-VANDAL SWITCH

BODY DIMENSIONS 22MM



CS SERIES ANTI-VANDAL SWITCH

ILLUMINATION STYLES

ANTI-VANDAL SWITCHES

DETECTOR SWITCHES

DIP SWITCHES

KEYLOCK SWITCHES

NAVIGATION SWITCHES

PUSHBUTTON SWITCHES

ROCKER SWITCHES

ROTARY SWITCHES

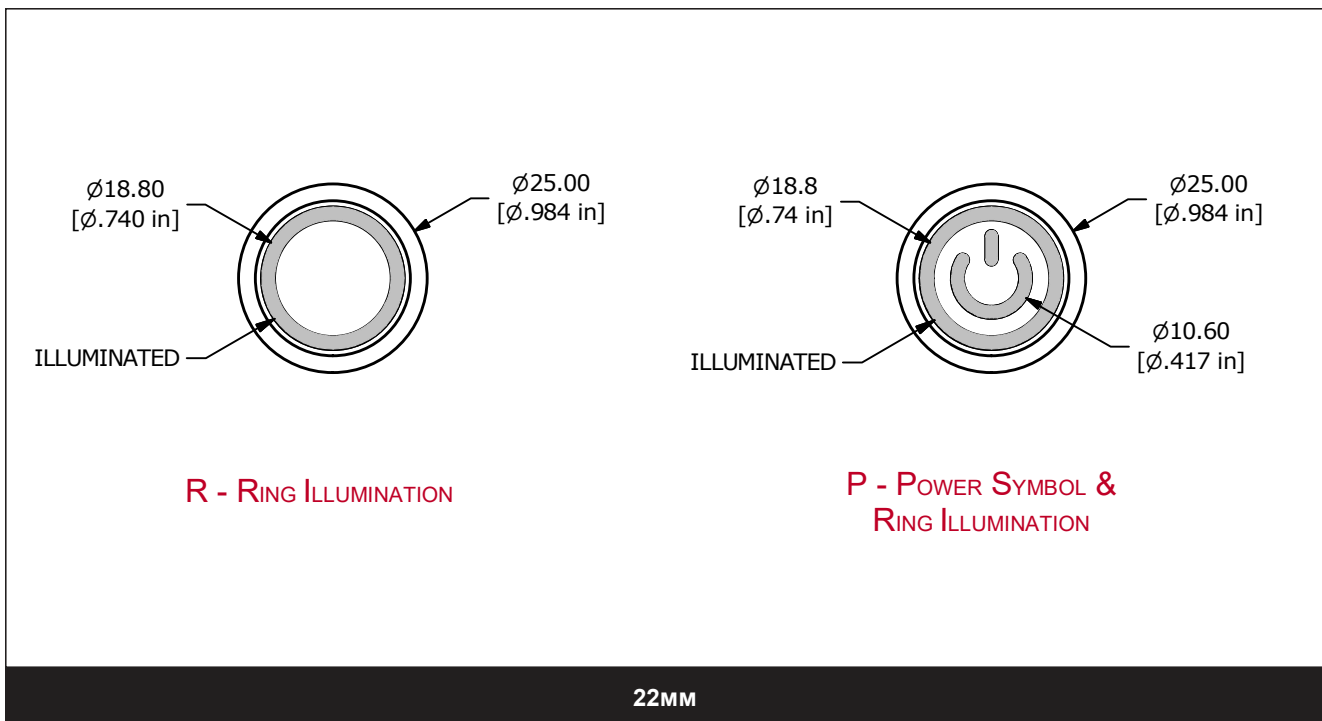
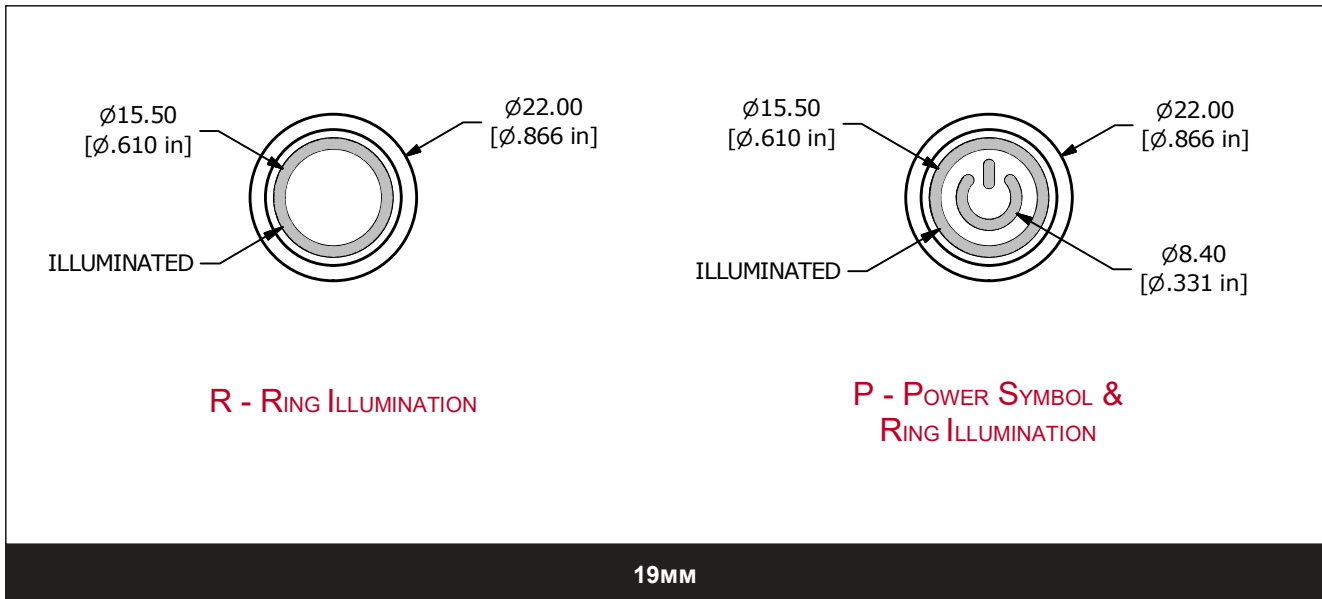
SLIDE SWITCHES

SNAP ACTION SWITCHES

TACTILE SWITCHES

TOGGLE SWITCHES

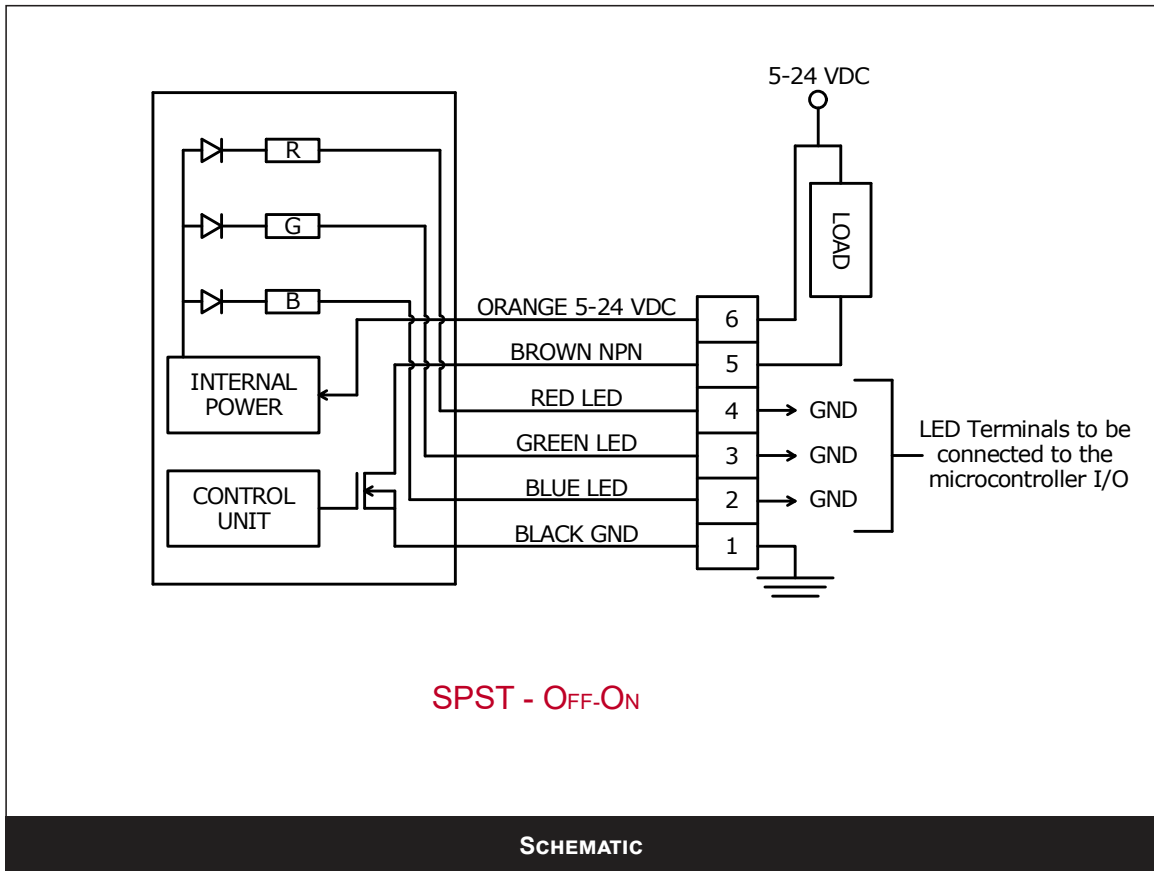
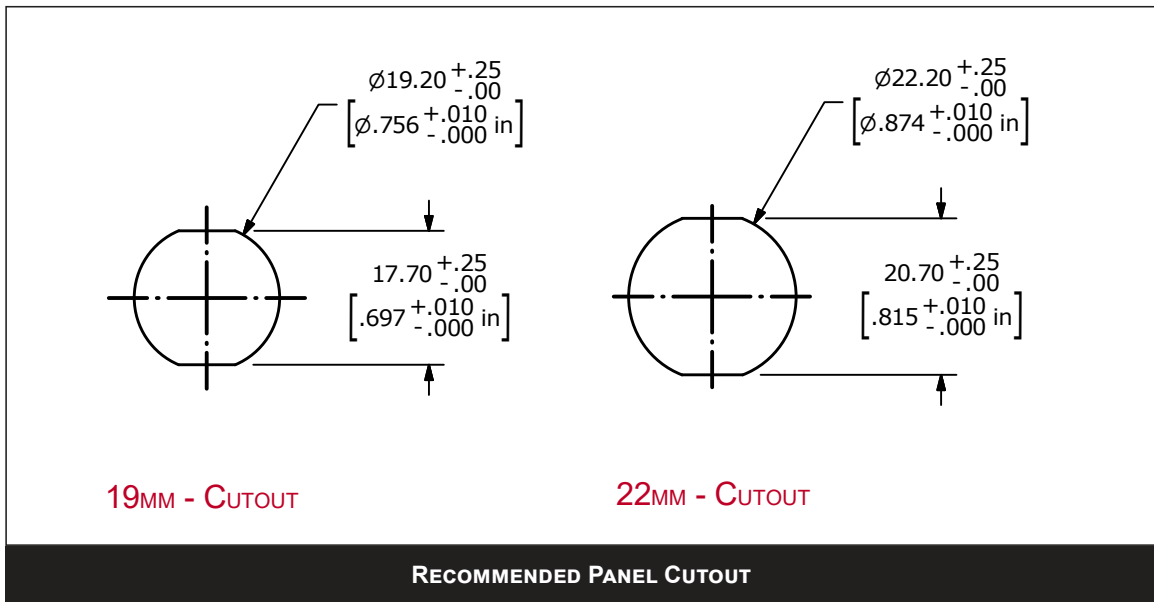
CAP OPTIONS



CS SERIES ANTI-VANDAL SWITCH

PANEL CUTOUT & SCHEMATIC

- ANTI-VANDAL SWITCHES
- DETECTOR SWITCHES
- DIP SWITCHES
- KEYLOCK SWITCHES
- NAVIGATION SWITCHES
- PUSHBUTTON SWITCHES
- ROCKER SWITCHES
- ROTARY SWITCHES
- SLIDE SWITCHES
- SNAP ACTION SWITCHES
- TACTILE SWITCHES
- TOGGLE SWITCHES
- CAP OPTIONS



LED NOTES

- Pins 2, 3 or 4 may be connected to a micro controller I/O or TTL/CMOS I/O.
- Individual LEDs are turned ON by grounding connector pins 2, 3 or 4.
 - Grounding pin 2 turns the Blue LED ON
 - Grounding pin 3 turns the Green LED ON
 - Grounding pin 4 turns the Red LED ON
- Individual LEDs may be turned ON/OFF by connecting pins 2, 3 or 4 to pin 5, but supply voltage must not be greater than 12.0 VDC. There is risk of damaging the switch, if the supply voltage is greater than 12.0 VDC.

For example: If pin 2 is connected to pin 5, then the Blue LED will come ON, if the load is turned ON. Blue LED will turn OFF, if the load is turned OFF.
- Multiple LEDs should not be turned ON at the same time, if the supply voltage is greater than 12.0 VDC. Turning ON multiple LEDs with supply greater than 12VDC may damage switch.

