

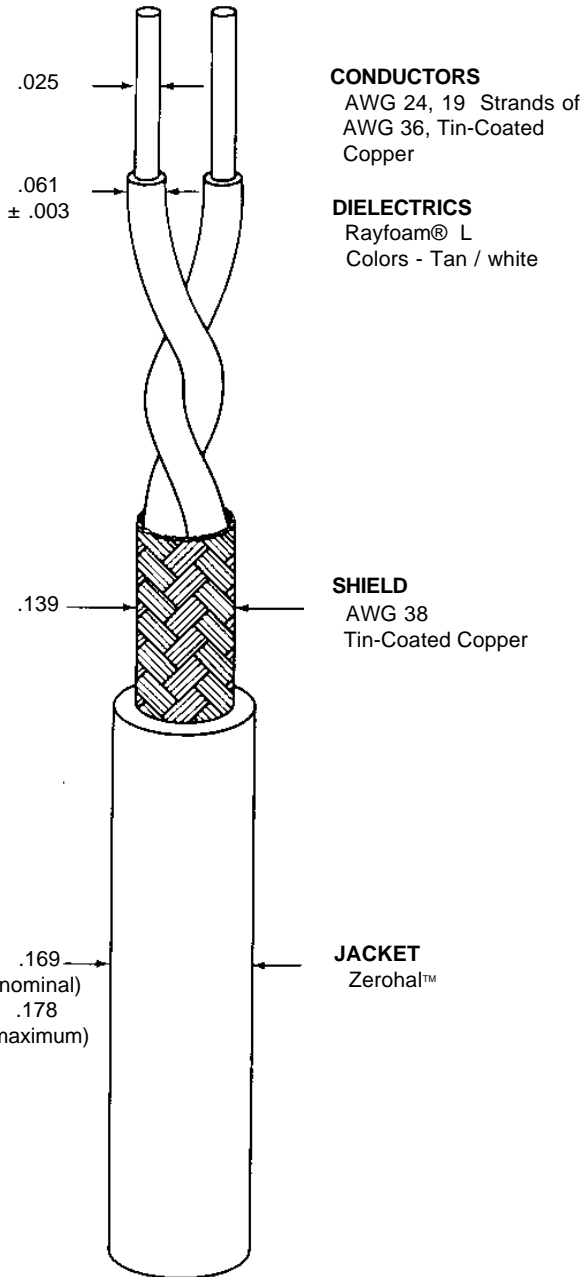
THIS SPECIFICATION SHEET FORMS A PART OF THE LATEST ISSUE OF RAYCHEM SPECIFICATION 1200.

CONSTRUCTION DETAILS

ELECTRICAL CHARACTERISTICS

DIMENSIONS ARE NOMINAL VALUES IN INCHES UNLESS OTHERWISE DESIGNATED.

CHARACTERISTIC IMPEDANCE	100 ± 10 ohms, Method B
CAPACITANCE - MUTUAL	13.2 pF/ft. (nominal) 14.0 pF/ft. (maximum)
VELOCITY OF PROPAGATION	77% (nominal)



ADDITIONAL REQUIREMENTS

ELECTRICAL

CONDUCTOR RESISTANCE	25.0 ohms/1000 ft. (nominal)
INSULATION RESISTANCE	10,000 megohms (minimum) for 1000 ft.
JACKET FLAWS	
SPARK TEST	1.0 kV (rms)
IMPULSE TEST	6.0 kV, (peak)
VOLTAGE WITHSTAND (DIELECTRIC)	1000 volts (rms) (minimum)

ENVIRONMENTAL

FLAMMABILITY	Method B
HEAT SHOCK	225°C
LOW TEMPERATURE- COLD BEND	-30°C/4.50 inch mandrel

PHYSICAL

INSULATION (DIELECTRIC) (Prior to cabling)	
ELONGATION	50% (minimum)
TENSILE STRENGTH	800 lbf/in ² (minimum)
JACKET	
ELONGATION	150% (minimum)
TENSILE STRENGTH	1200 lbf/in ² (minimum)
JACKET THICKNESS	.015 inch (nominal)
SHIELD COVERAGE	90% (minimum)

WEIGHT	16.3 lbs/1000 ft. (nominal)
--------	-----------------------------

Outer jacket will be black (designated by a "-0" appended to the part number, e.g., 0024E0811-0) unless otherwise specified.

Designate outer jacket color with a dash number in accordance with MIL-STD-681. Other codes and suffixes may be added to the part number, as necessary, to capture any additional requirements imposed by the purchase order.

Users should evaluate the suitability of this product for their application. Specifications are subject to change without notice.

Tyco Electronics also reserves the right to make changes in materials or processing, which do not affect compliance with any specification, without notification to Buyer.