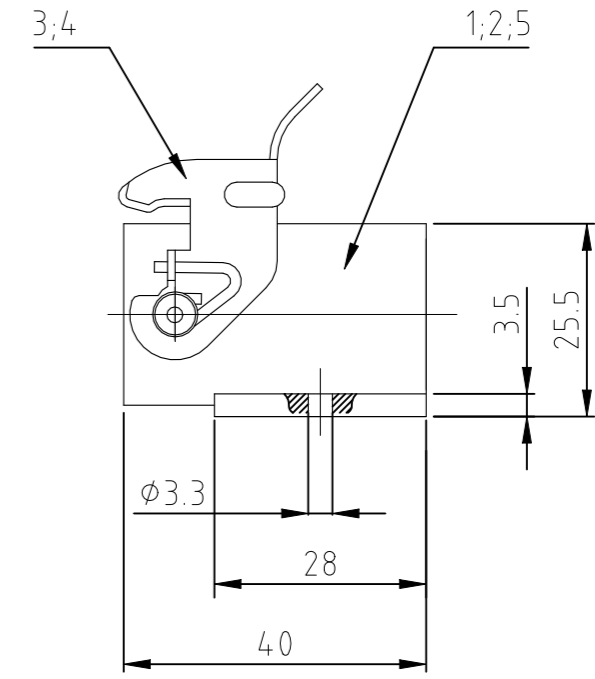
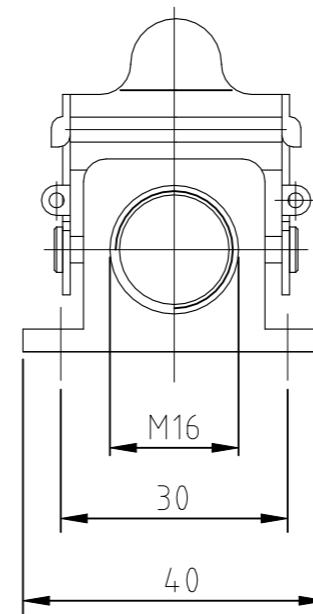
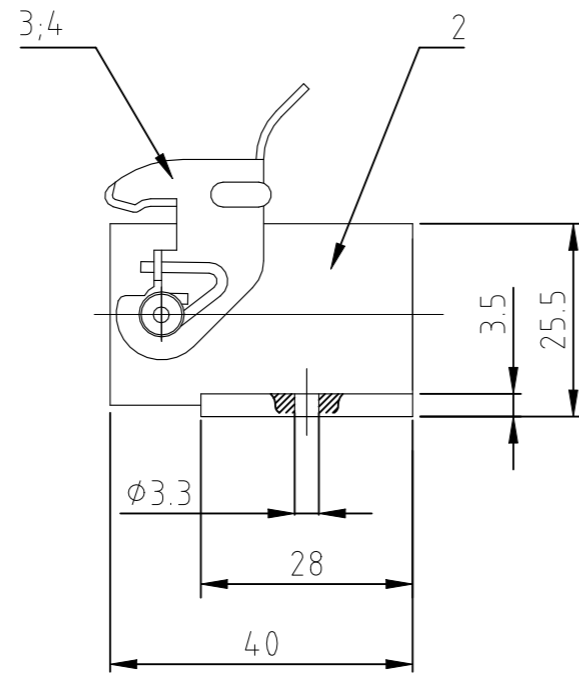
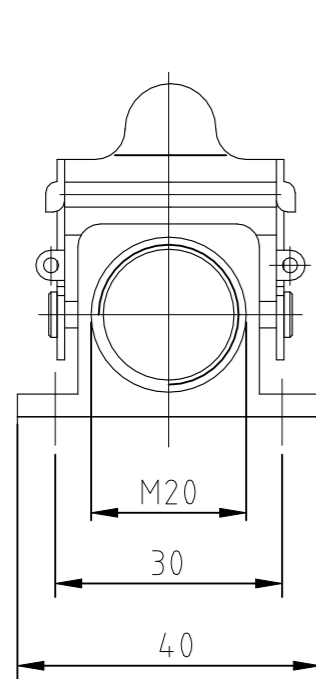


P	LTR	DESCRIPTION BESCHREIBUNG	DATE	DWN	APVD
A9	ECR-21-123577		09JUL2022	RK	JB



Notes

- 1 Material: zink diecast
- 2 Surface: - varnish grey  
- varnish black
- 3 Varnish on the inside not necessarily
- 4 Special packing  
Packaging quantity 100 pieces
- 5 Packaging quantity 10 pieces

QTY	QTY	QTY	QTY	QTY	DESCRIPTION / BENENNUNG	MATERIAL	SURFACE / OBERFLÄCHE	COLOR / FARBE	ITEM NO. POS.	NOTES	
1					surface mounted housing side entry	zink diecast	blue pasivation	without varnish	5		
				1	side clip	stainless steel			4		
1	1	1		1	side clip	steel	zink plated	blue	3		
				1	surface mounted housing side entry	zink diecast		black	2		
	1	1		1	surface mounted housing side entry	zink diecast		grey	1		
0-5	0-4	0-3	0-2	0-1							
5	4	5	5	5							
ORDERING TEXT / BESTELLTTEXT HA-EMV-K.3.SG-LB.1.M16.G HA.3.SG-LB.1.M16.G.KM HA.3.SG-LB.1.M20.G HA-K.3.SG-LB.1.M16.G HA.3.SG-LB.1.M16.G						THIS DRAWING IS A CONTROLLED DOCUMENT. DIESE ZEICHNUNG IST EIN KONTROLLIERTES DOKUMENT. DIMENSIONS: MASSENEHTEIN: mm TOLERANCES UNLESS OTHERWISE SPECIFIED: ALL GEMEINTOLERANZEN n. ISO 2768 - mH-E n. DIN 16901 - 120		DWN Schneider 15.08.01 CHK Schnurpfeil 15.08.01 APVD - PRODUCT SPEC PRODUKTSPEZ. - APPLICATION SPEC VERARBEITUNGSSPEZ. - WEIGHT GEWICHT -		DWT TE Connectivity SURFACE MOUNTED HOUSING SIDE ENTRY Sockelgehäuse HA.3.1.M16	
						MATERIAL 1 FINISH/OBERFLÄCHE/FARBE 2		SIZE A3 CAGE CODE 00779 DRAWING NO ZEICHNUNGS-NR. C-1106404 RESTRICTED TO NUR FUER -		SCALE MASSTAB 1:1 SHEET BLATT 1 OF VON 1 REV A9	
CUSTOMER DRAWING/KUNDENZEICHNUNG										SCALE MASSTAB 1:1 SHEET BLATT 1 OF VON 1 REV A9	