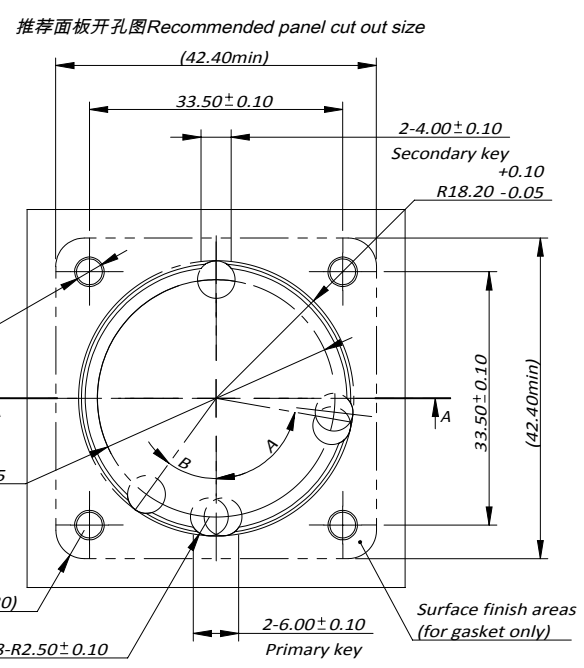
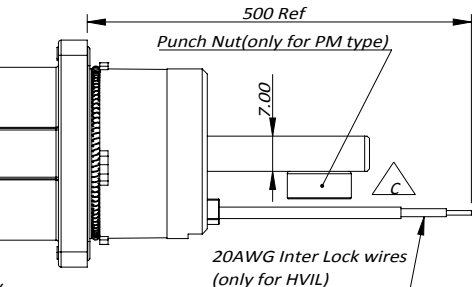
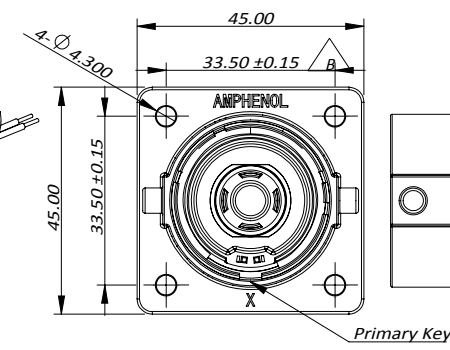
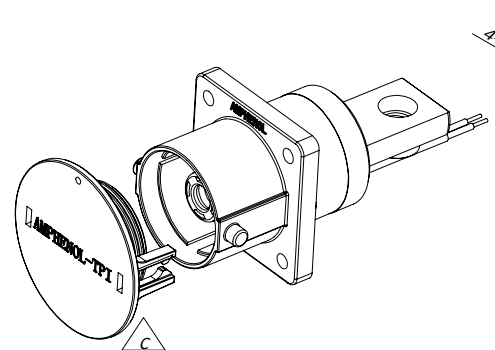


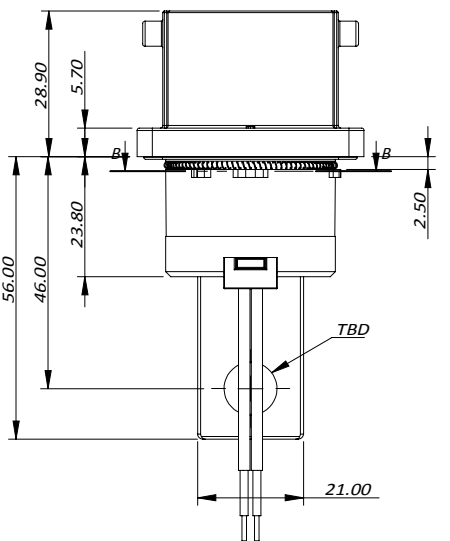
THIS DRAWING IS SUPPLIED FOR INFORMATION ONLY. DESIGN FEATURES, SPECIFICATIONS AND PERFORMANCE DATA SHOWN HEREON ARE THE PROPERTY OF THE AMPHENOL CORPORATION. NO RIGHTS OF REPRODUCTION ARE IMPLIED. ALL DIMENSIONS ARE SUBJECT TO NORMAL MANUFACTURING VARIATIONS.

CUSTOMER DRAWING

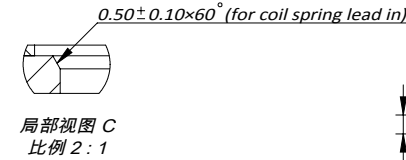
REVISIONS					
REV#	ECN#	REVISION ACTION	REV.BY:	APPR.BY:	DATE
A	--	INITIAL RELEASE	Jack	James	03/12/2020
B	--	增加规格参数	Star	James	10/29/2020
C	--	Add dust cap, oring and M6 PM8 specifications	Star	James	12/30/2020



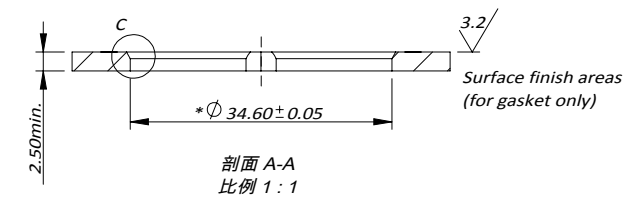
键位 Key	A	B
X	80°	36°
Y	50°	86°
U	36°	76°
V	100°	56°
W	130°	60°
T	144°	96°



剖面 B-B
比例 1 : 1.5



局部视图 C
比例 2 : 1



剖面 A-A
比例 1 : 1

规格参数 (Spec.):

- 工作温度 Operating temperature : -40°C ~ +125°C.
- 带高压互锁 Electrical interlock (HVIL).
- 额定电流 Current rating:
Power: 500A; HVIL: 5A.
- 额定电压 Operating voltage:
Power: 1000 VDC; Signal: 60 VDC.
- 耐电压 Dielectric withstanding voltage:
 - A. 与插头对插后, Pin与铁壳之间
When mated, between pin and metal shell: 5000 VDC.
 - B. 与插头对插后, Pin与HVIL之间
When mated, between pin and HVIL: 5000 VDC.
 - C. 与插头对插后, HVIL与铁壳之间
When mated, between HVIL and metal shell: 500 VDC.
 - D. 与插头对插前, 两个HVIL端子之间耐压
Before mating, between two HVIL terminals: 500 VDC.
- 防护等级 Protection class: Mated-IP6k9k & IP67, unmated-IP2X.
- 电磁屏蔽 360° Full Shielding.
- 机械寿命 Mating cycle: 100 Min.
- 绝缘材料满足 UL94V-0 Inner insulation material satisfy UL94V-0.
- 推荐法兰盘螺丝安装扭矩 Recommended Screw Assembly Torque on Flange : 1.6~2.4Nm
- 推荐铜排安装扭矩 Recommended Fasten Torque on Lug: M6: 3.6~4.4Nm, M8: 7.2~8.8Nm, M10: 17.1~20.9Nm
- 镀灰锌/镍合金, 符合RoHS, 满足500H中性盐雾实验 Gray Zinc/Nickel(ZnNi)Plating. RoHS compliant, Rated at 500hours salt spray.

订购信息 Ordering Information

PL 00 X - 50X - 10X X - 2

Key and Color	HVIL	Hole Type	Hole Size
"X", Orange	"0", NO HVIL	"D", Through Hole	
"Y", Black	"1", With HVIL	"M"=thread hole	
"U", Yellow		"H"=slot hole	
"V", Green		"PM"=Punch Nut	
"W", Red			
"T", Blue			



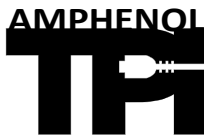
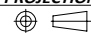
Amphenol Technical Products International Asia.

第三角投影 THIRD ANGLE PROJECTION	页面 SHEET	幅面 SIZE	版次 REV.	比例 SCALE	PART NAME:
	1 OF 2	A4	C		PwrLok 14mm G2 Rcpt Lug
签名 SIGNATURE	日期 DATE	UNLESS OTHERWISE SPECIFIED 1) All dimensions are in metric(mm). 2) Tolerances are as follows: 1.PL DEC ± 1.00 2.PL DEC ± 0.50 3.PL DEC ± 0.20			DWG NO:
制图 DRAWN	Star	12/30/2020	Angles ±1°		PL00X-50X-10XX-2
审核 CHECKED					CUST PART #
批准 APPROVAL					CUST REV.

THIS DRAWING IS SUPPLIED FOR INFORMATION ONLY. DESIGN FEATURES, SPECIFICATIONS AND PERFORMANCE DATA SHOWN HEREON ARE THE PROPERTY OF THE AMPHENOL CORPORATION. NO RIGHTS OF REPRODUCTION ARE IMPLIED. ALL DIMENSIONS ARE SUBJECT TO NORMAL MANUFACTURING VARIATIONS.

1	2	3	4	5	6	7	8
Model No. 型号		AC P/N 料号		REVISIONS			
PL00X-500-10M8-2		AC-HA011160		REV#	ECN#	REVISION ACTION	REV.BY: APPR.BY: DATE
PL00Y-500-10M8-2		AC-HA011161		A	--	INITIAL RELEASE	Jack James 03/12/2020
PL00U-500-10M8-2		AC-HA011162		B	--	增加规格参数	Star James 10/29/2020
PL00V-500-10M8-2		AC-HA011163		C	--	Add dust cap, oring and M6 PM8 specifications	Star James 12/30/2020
PL00W-500-10M8-2		AC-HA011164					
PL00X-500-10M10-2		AC-HA011165					
PL00Y-500-10M10-2		AC-HA011166					
PL00U-500-10M10-2		AC-HA011167					
PL00V-500-10M10-2		AC-HA011168					
PL00W-500-10M10-2		AC-HA011169					
PL00X-500-10D8-2		AC-HA011170					
PL00Y-500-10D8-2		AC-HA011171					
PL00U-500-10D8-2		AC-HA011172					
PL00V-500-10D8-2		AC-HA011173					
PL00W-500-10D8-2		AC-HA011174					
PL00X-500-10D10-2		AC-HA011175					
PL00Y-500-10D10-2		AC-HA011176					
PL00U-500-10D10-2		AC-HA011177					
PL00V-500-10D10-2		AC-HA011178					
PL00W-500-10D10-2		AC-HA011179					
PL00X-501-10M8-2		AC-HA011180					
PL00Y-501-10M8-2		AC-HA011181					
PL00U-501-10M8-2		AC-HA011182					
PL00V-501-10M8-2		AC-HA011183					
PL00W-501-10M8-2		AC-HA011184					
PL00X-501-10M10-2		AC-HA011185					
PL00Y-501-10M10-2		AC-HA011186					
PL00U-501-10M10-2		AC-HA011187					
PL00V-501-10M10-2		AC-HA011188					
PL00W-501-10M10-2		AC-HA011189					
PL00X-501-10D8-2		AC-HA011190					
PL00Y-501-10D8-2		AC-HA011191					
PL00U-501-10D8-2		AC-HA011192					
PL00V-501-10D8-2		AC-HA011193					
PL00W-501-10D8-2		AC-HA011194					
PL00X-501-10D10-2		AC-HA011195					
PL00Y-501-10D10-2		AC-HA011196					
PL00U-501-10D10-2		AC-HA011197					
PL00V-501-10D10-2		AC-HA011198					
PL00W-501-10D10-2		AC-HA011199					
PLOOT-500-10D8-2		AC-HA011969					
PLOOT-500-10M8-2		AC-HA011970					
PLOOT-500-10M10-2		AC-HA011971					
PLOOT-500-10D10-2		AC-HA011972					
PLOOT-501-10D8-2		AC-HA011973					
PLOOT-501-10M8-2		AC-HA011974					
PLOOT-501-10M10-2		AC-HA011975					
PLOOT-501-10D10-2		AC-HA011976					



	Amphenol Technical Products International Asia.					
	第三角投影 THIRD ANGLE PROJECTION	页面 SHEET	幅面 SIZE	版次 REV.	比例 SCALE	PART NAME: PwrLok 14mm G2 Rcpl Lug
	2 OF 2	A4	C			
签名 SIGNATURE	日期 DATE	UNLESS OTHERWISE SPECIFIED			DWG NO:	
制图 DRAWN	Star	12/30/2020	1) All dimensions are in metric(mm).			
审核 CHECKED			2) Tolerances are as follows:			
批准 APPROVAL			1.PL DEC ± 1.00			
			2.PL DEC ± 0.50			
			3.PL DEC ± 0.20			
			Angles ±1°			
			CUST PART #		CUST REV.	