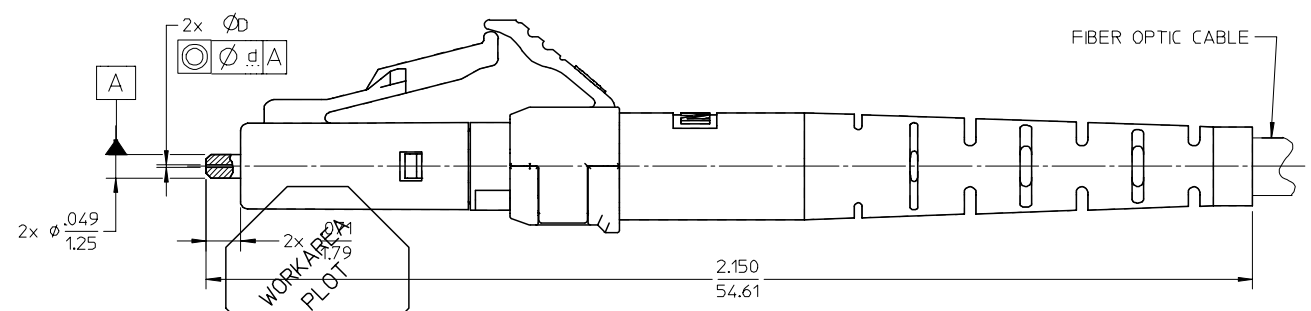
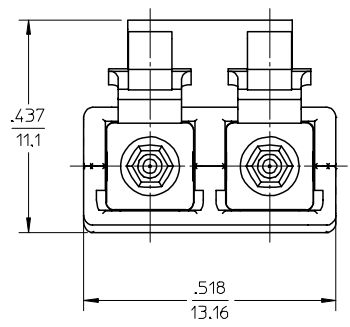
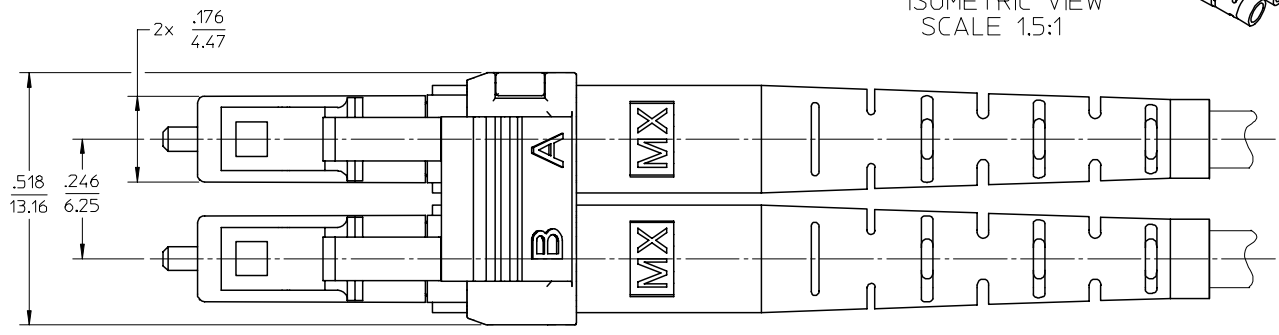
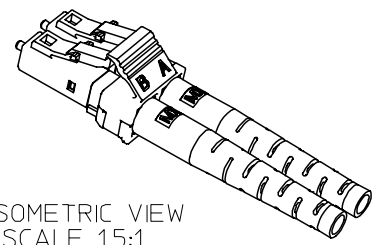


CONNECTOR P/N	ØD (4m)	Ød (4m)	DUPLEX CLIP COLOR	DUPLEX CLIP W/LATCH COLOR	CABLE TYPE
106025-2150	125.5 ^{+0.5} ₀	1	BLUE	BLUE	SINGLE MODE
106025-3150	127 ⁺³ ₀	3	BEIGE	BEIGE	MULTIMODE
106025-4150	125 ^{+0.5} ₀	1	BLUE	BLUE	SINGLE MODE
106025-5150	126 ⁺¹ ₀				
106025-6150	125.25 ^{+0.5} ₀	0.5			
106025-8150	125.5 ^{+0.5} ₀				



FIBER OPTIC CABLE

ENTER DESCRIPTION EC NO: MF2006-0323 DRW:PGIBLIN CHKD: APPR:IGUMIN 2006/02/07 2006/02/07 2006/02/07	QUALITY SYMBOLS ▽=0 ▽=0	GENERAL TOLERANCES (UNLESS SPECIFIED)		DIMENSION STYLE IN/MM		SCALE 4:1	DESIGN UNITS INCH	THIRD ANGLE PROJECTION	
		4 PLACES ± --- ±.0002	3 PLACES ±0.005 ±.005	DRAWN BY PGIBLIN	DATE 2005/11/14	TITLE LC DUPLEX CONNECTOR W/ TWO PIECE CLIP 3.0MM CABLE APPLICATION			
		2 PLACES ±0.13 ±.01	1 PLACE ±0.25 ± ---	CHECKED BY	DATE	MOLEX INCORPORATED			
		ANGULAR ±1/2°		APPROVED BY	DATE	MATERIAL NO. SEE TABLE	DOCUMENT NO. SD-106025-X1X0	SHEET NO. 1 OF 1	
DRAFT WHERE APPLICABLE MUST REMAIN WITHIN DIMENSIONS		THIS DRAWING CONTAINS INFORMATION THAT IS PROPRIETARY TO MOLEX INCORPORATED AND SHOULD NOT BE USED WITHOUT WRITTEN PERMISSION							