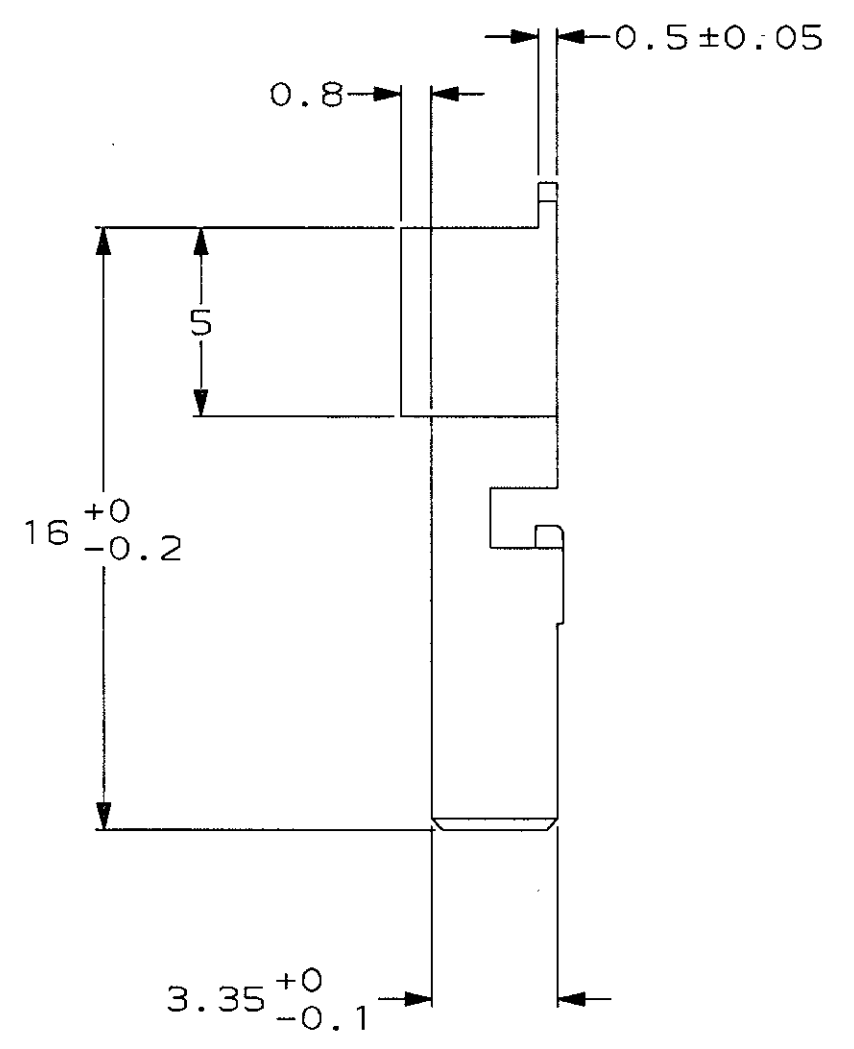
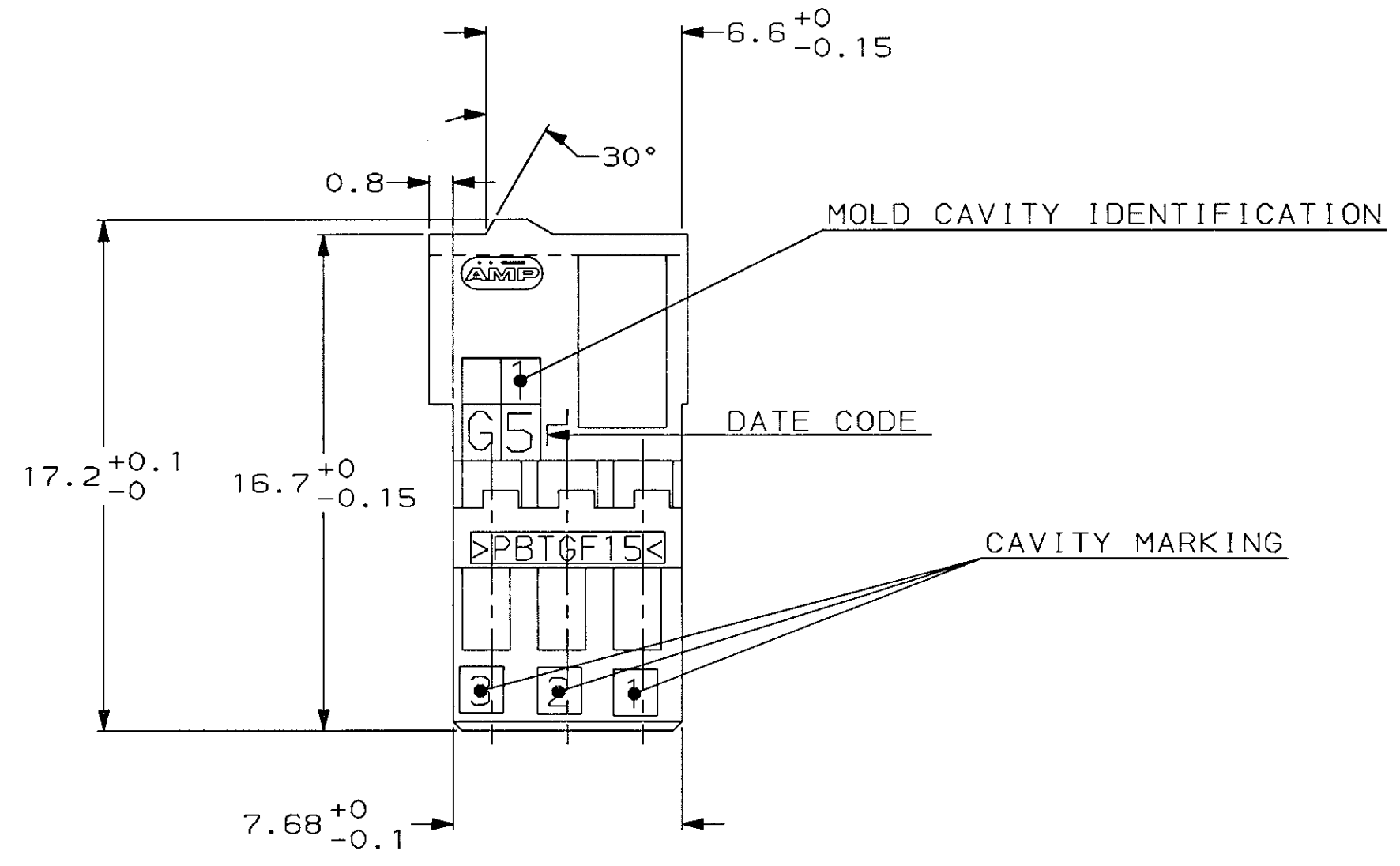
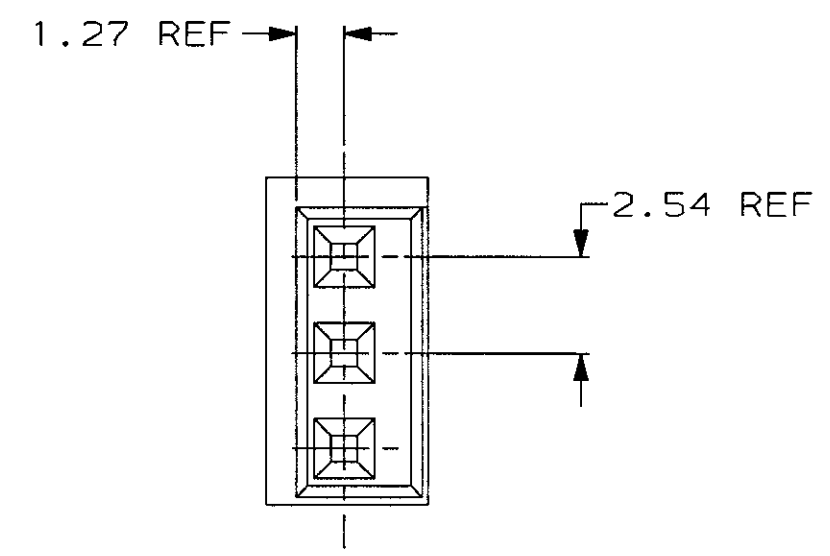


| LOC | | DIST | | REVISIONS | | | |
|-----|-----|------|------|-----------|-------|------|------|
| P | LTR | REV | DATE | DWN | DESS. | APVD | APP. |
| F | | 7 | | | | | |
| | | | | | | | |



| | | |
|------------|-------|---------------|
| PBT GF 15% | BLACK | 185309-1 |
| MATERIAL | COLOR | REFERENCE AMP |

NOTA : PART TO USE WITH: - COVER P/N 185308-X
 - SOCKETS P/N 144969-X
 - INSTRUCTION SHEET: 411-15553

| | | | | | |
|---|--|---|--|--|--|
| THIS DRAWING IS A CONTROLLED DOCUMENT. CE PLAN EST UN DOCUMENT CONTROLE. | | DWN/DESSINE 26-APR-00 Michel POLIFONTE | | AMP DE FRANCE 95301 PONTOISE | |
| DIMENSIONS: mm | | TOLERANCES UNLESS OTHERWISE SPECIFIED, TOLERANCES NON SPECIFIEES (SUIV. NB DE DECIMALES): 0 = ±0.05 1 = ±0.1 2 = ±0.15 3 = ±0.2 4 = ±0.3 | | APVD/APPROUVE 28-APR-00 J.J. REVIL | |
| MATERIAL MATIERE SEE TABLE | | FINISH FINITION - | | NAME TITRE PLUG HOUSING 3W MQS | |
| | | APPLICATION SPEC SPEC. APPLICATION - | | SIZE FORMAT A2 | |
| | | WEIGHT MASSE APPROX. 0.3g | | CAGE CODE DRAWING NO 00779 C-185309 | |
| | | CUSTOMER DRAWING/PLAN CLIENT | | UNIQUEMENT POUR REFERENCE | |
| | | SCALE ECHELLE 5:1 | | SHEET FEUILLE 1 OF 1 REV 0 | |