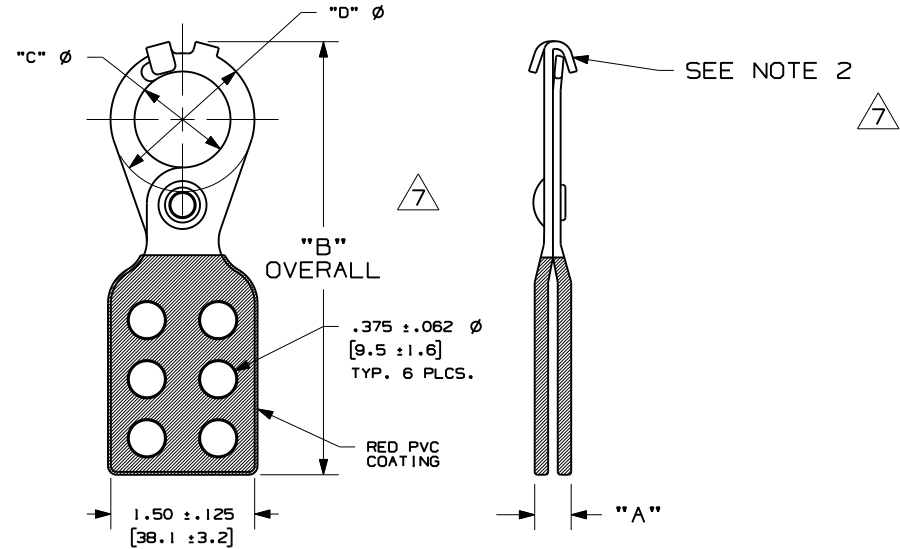


PART NUMBER	DESCRIPTION	MAX. NO. LOCKS.	STANDARD PKG.
PSL - 1	HASP WITH 1.0" (25 mm) DIA. JAW AND OVERLAPPING TABS	6	12
PSL - 1.5	HASP WITH 1.5" (38 mm) DIA. JAW AND OVERLAPPING TABS	6	12
PSL - 1A	HASP WITH 1.0" (25 mm) DIA. JAW	6	12
PSL - 1.5A	HASP WITH 1.5" (38 mm) DIA. JAW	6	12



P/N	"A"	"B" OVERALL	"C"	"D" DIA.
PSL - 1	.375 +/- .063 (9.5 +/- 1.6)	4.50 +/- .12 (114.3 +/- 3.1)	1.00 +/- .04 (25.4 +/- 1.0)	1.50 +/- .04 (38.1 +/- 1.0)
PSL - 1.5		5.05 +/- .12 (128.3 +/- 3.1)	1.50 +/- .04 (38.1 +/- 1.0)	2.12 +/- .04 (53.8 +/- 1.0)
PSL - 1A		4.40 +/- .12 (111.8 +/- 3.1)	1.00 +/- .04 (25.4 +/- 1.0)	1.50 +/- .04 (38.1 +/- 1.0)
PSL - 1.5A		4.95 +/- .12 (125.7 +/- 3.1)	1.50 +/- .04 (38.1 +/- 1.0)	2.12 +/- .04 (53.8 +/- 1.0)

- NOTES:
1. DIMENSIONS SHOWN IN BRACKETS ARE IN MILLIMETERS.
 2. PSL-1A AND PSL1.5A DO NOT HAVE TABS
 3. OPERATING TEMPERATURE: -40°C (-40°F) TO 60°C (140°F)



CAD FILENAME/LAYERS 100318MU_DC_C10099/01H

7	7/7/11	JHAC		ADDED OPERATING TEMPERATURE AND MORE DETAIL TO TITLE CHANGED MATERIAL DESCRIPTION, REMOVED ADDITIONAL DIMENSIONAL INFORMATION AND REMOVED VIEW 1 AND VIEW 2	6451	R						
6	7/21/09	RVU		.375 +/- .062 Ø WAS .375 +/- .125 Ø. C1018 WAS C108. .083/.079 WAS .080/.079. ADD "TABLE 1 & TABLE 2" ONLY. TOL: +/- .04 (1 +/- 1.0) WAS +/- .12 (1 +/- 3.1) FOR ALL OF COLUMN "F".	5797	R						
5	7/15/09	RVU		VOID								
4	10/20/08	RVU	LDG	CHANGE FORMAT 'B' TO 'A'. ADDED NEW COLUMNS OF "G" DIA., "H" R., VIEW 2 AND REVISED NOTES 2.	5571	R						
3	7-27-06	RVU	DWY	ADD TABLE "E" AND "F".	4583	R						
2	3-29-05	RVU	DWY	ADDED SIDE VIEW, VIEW 1, AND DIMENSIONS "A", "B", "C" AND "D".	3840	R						
1	3-25-03	RVU	DWY	DIMENSION 1.50 ± .125, 5.00 ± .125, & TOLERANCE ADDED. MISC. REVISIONS.	3207	R						
R	9-23-99	RVU	DWY	DRAWING RELEASE	1438	R						
REV	DATE	BY	CHK	DESCRIPTION	ECN	R	CUST	SUP				

PANDUIT CORP. TINLEY PARK, ILLINOIS

SAFETY LOCKOUT HASP - PSL-1(A) AND PSL1.5(A)

UNLESS OTHERWISE SPECIFIED, DIMENSIONAL TOLERANCES ARE:
 (.X) ± (.XXX) ±
 (.XX) ± ANGLES ±

UNLESS OTHERWISE SPECIFIED, ALL DIMENSIONS ARE GIVEN IN INCHES, THIRD ANGLE PROJECTION.

DRAWN BY: RVU

DATE: 9-23-99

CHK'D: *[Signature]*

MAT'L: ZINC PLATED STEEL WITH RED PVC COATING

SCALE: NTS

DRAWING NO. C10099

DWG SIZE: A