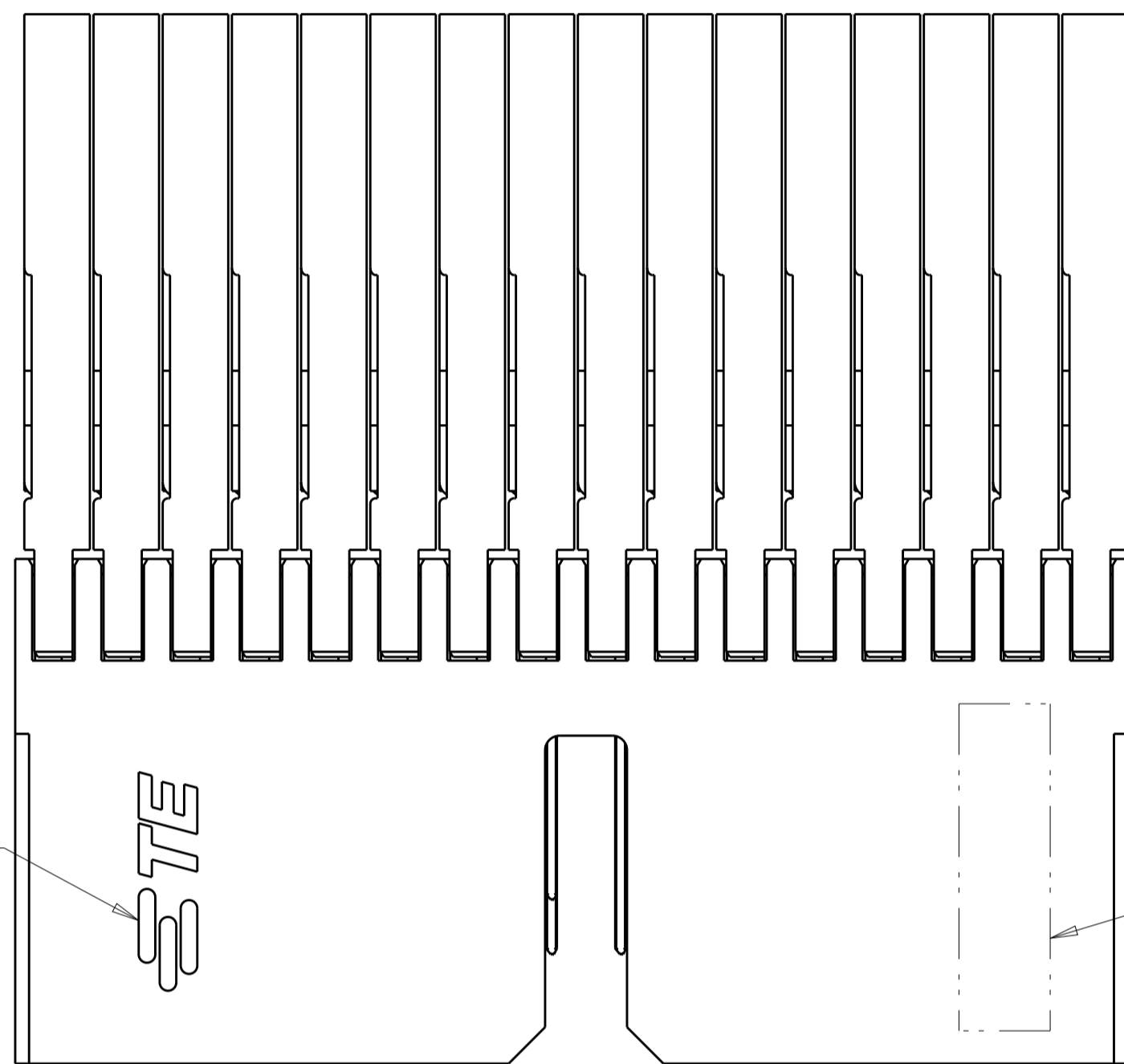
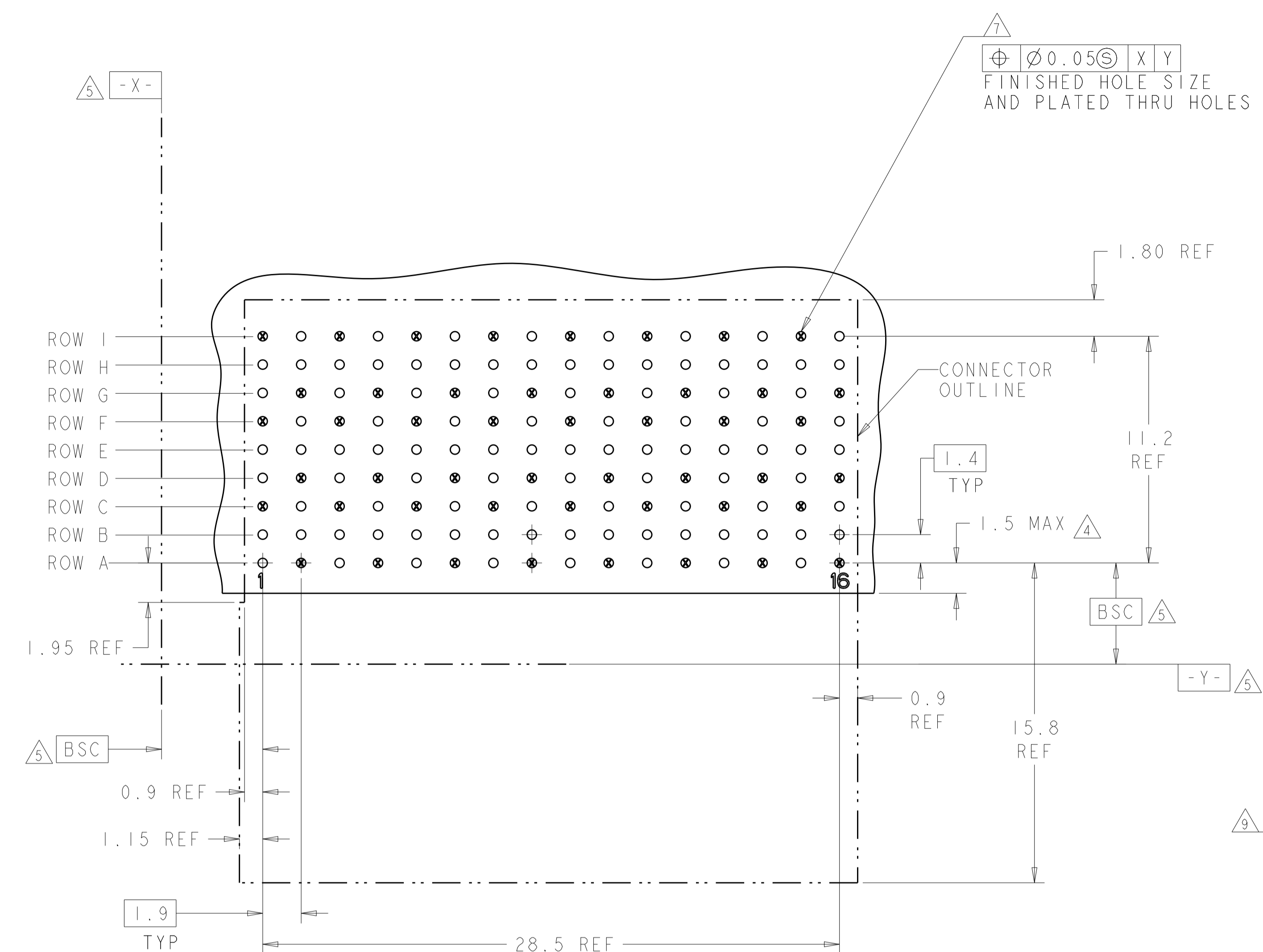


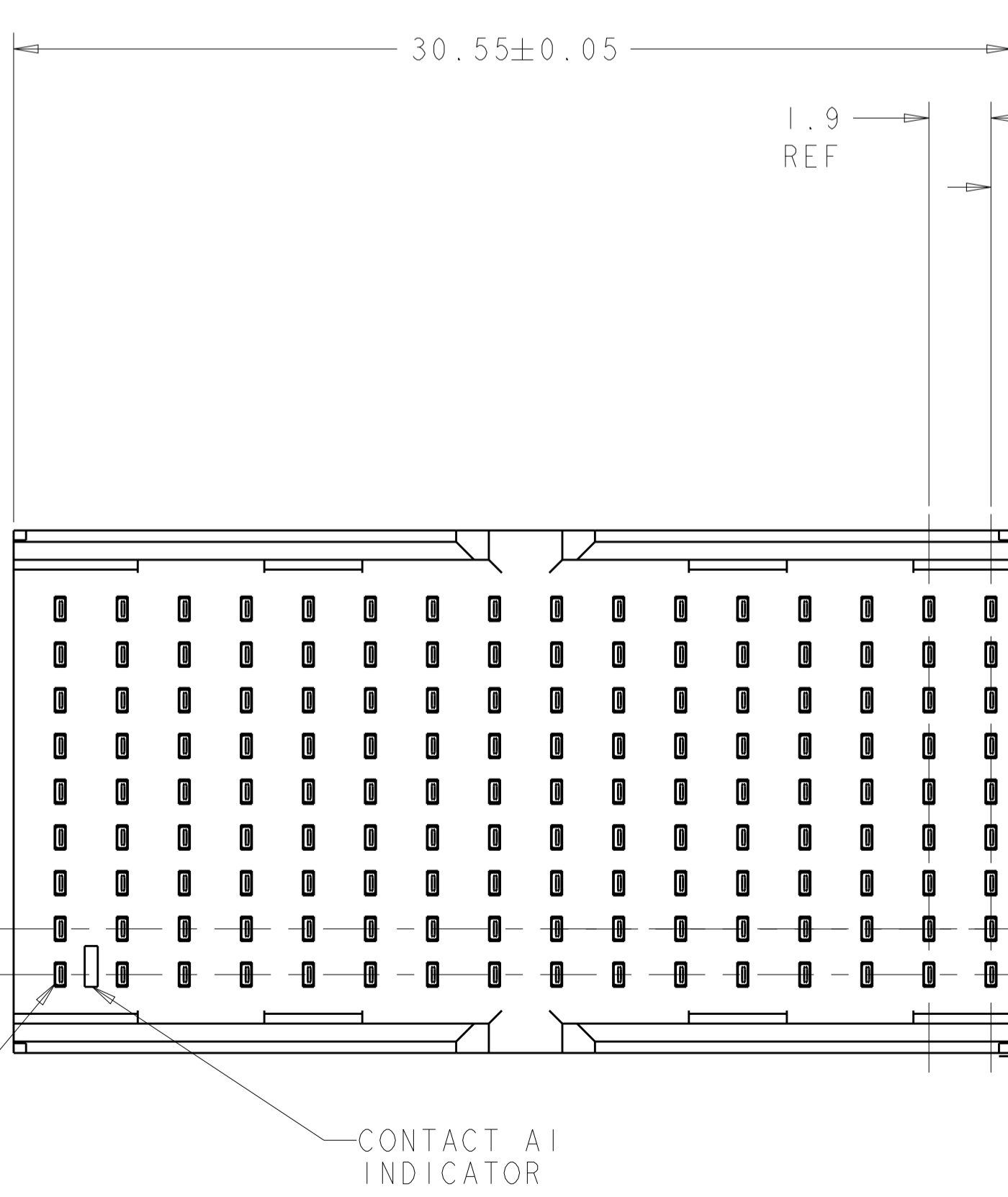
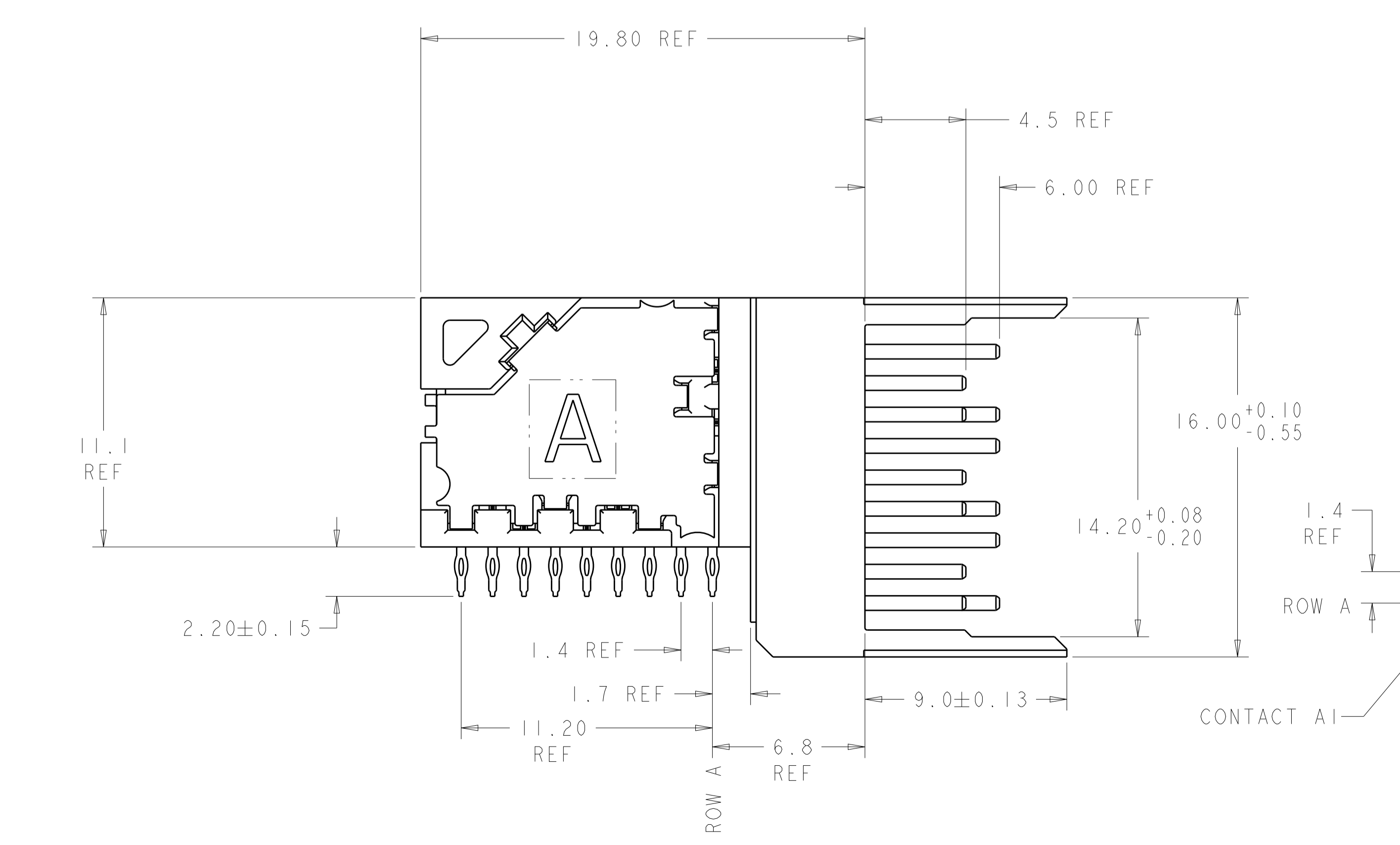
LOC	DIST	REV	DATE	BY	CHK	APPV
AD	00	C	25FEB2013	KH	RP	
		D	08JUL2019	AP	SY	



- △ MATERIAL:  
CONTACT AND SHIELD: PHOS BRONZE  
HOUSING AND CHICKLET: LCP, UL 94V-0, COLOR: BLACK
- △ FINISH:  
CONTACT AREA FINISH CONFORMS TO THE REQUIREMENTS OF TE PRODUCT SPECIFICATION 108-2303; BASED ON TELCORDIA GR-1217-CORE FOR SYSTEM QUALITY LEVEL III, APPLICATIONS IN CONTROLLED ENVIRONMENTS (CENTRAL OFFICE).  
COMPLIANT PIN AREA- 0.5µm MIN MATTE TIN OVER 1.27µm MIN NICKEL.  
SHIELD 1.27µm MIN NICKEL.
- △ CONNECTOR MARKED WITH PART NUMBER, DATE CODE, AND STANDARD IN APPROXIMATE AREA SHOWN.
- △ DIMENSION APPLIES TO CENTERLINE OF THRU HOLE.
- △ DATUMS AND BASIC DIMENSIONS ESTABLISHED BY CUSTOMER.
- 6. CONTACT AREA LUBRICATED WITH BELLCORE APPROVED LUBRICANT. TECHNICAL REFERENCE: GR-1217-CORE, ISSUE 1, NOVEMBER 1995.
- △ REFERENCE APPLICATION SPEC 114-13202 FOR RECOMMENDED PLATED THRU HOLE DIAMETER AND PLATING THICKNESS.
- △ ALL GROUNDS IN ODD NUMBERED COLUMNS ARE COMMONED. ALL GROUNDS IN EVEN NUMBERED COLUMNS, EXCEPT FOR ROW A ARE COMMONED.
- △ SHOWN LOGO OR OTHER TE OWNED LOGOS IN APPROXIMATE AREA.

○ = SIGNAL  
 ⊗ = GROUND

RECOMMENDED PC BOARD LAYOUT  
 COMPONENT SIDE SHOWN



1934355-1  
 PART NUMBER

THIS DRAWING IS A CONTROLLED DOCUMENT.		OWN: S. J. MAGARO 16AUG2007	TE Connectivity
DIMENSIONS: mm		CHK: W. DAVIS 16AUG2007	NAME: RIGHT ANGLE HEADER ASSEMBLY, OPEN ENDED, 3 PAIR, 16 COLUMN, Z-PACK TinMan
TOLERANCES UNLESS OTHERWISE SPECIFIED:		APPV: R. PATTERSON 12OCT2007	
0 PLC	±	PRODUCT SPEC	SIZE: CAGE CODE DRAWING NO: RESTRICTED TO
1 PLC	±	APPLICATION SPEC	
2 PLC	±	WEIGHT	SCALE: 6:1 SHEET 1 OF 1 REV D
3 PLC	±	CUSTOMER DRAWING	
4 PLC	±		
ANGLES	±		
FINISH	△		