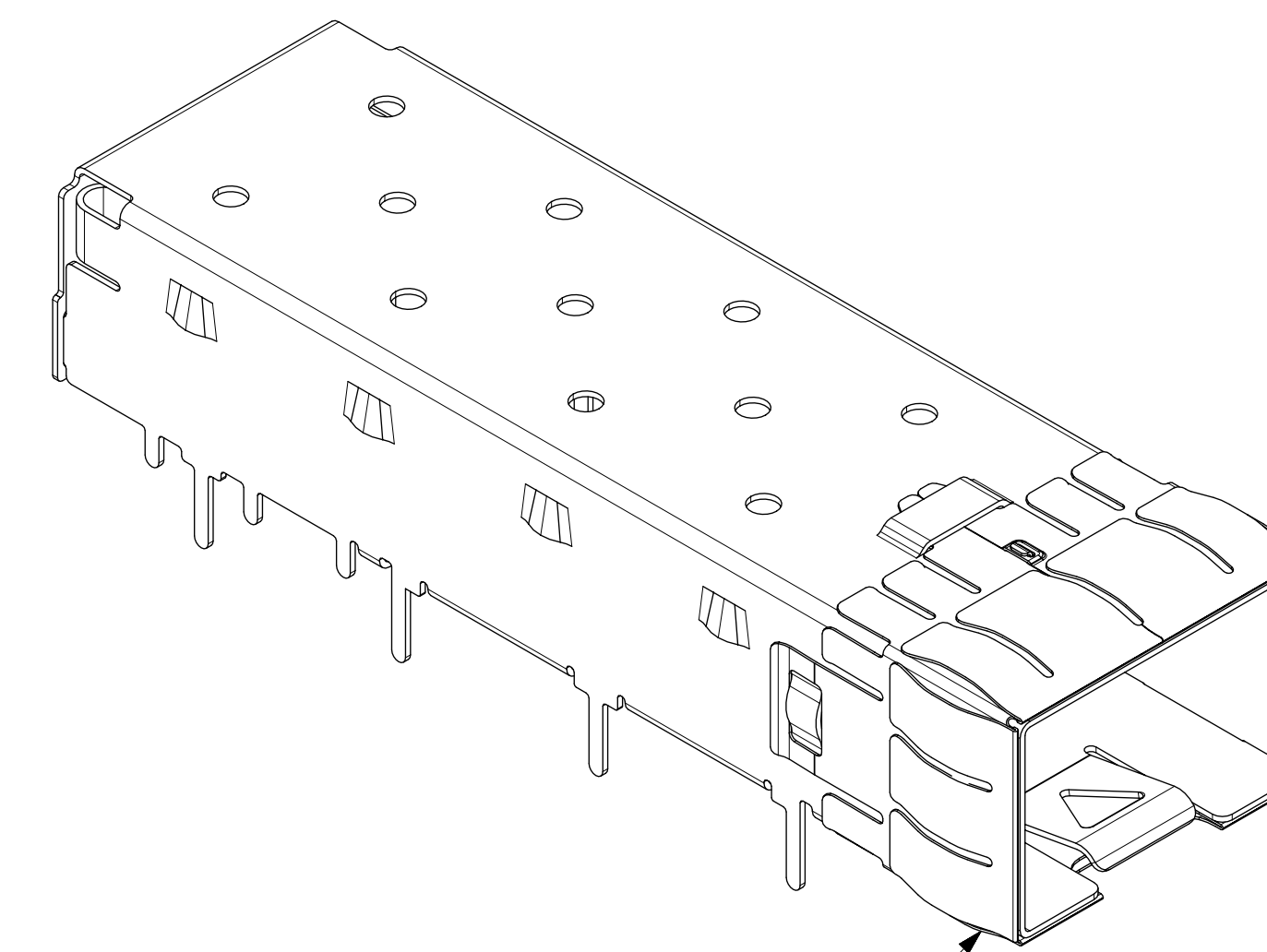
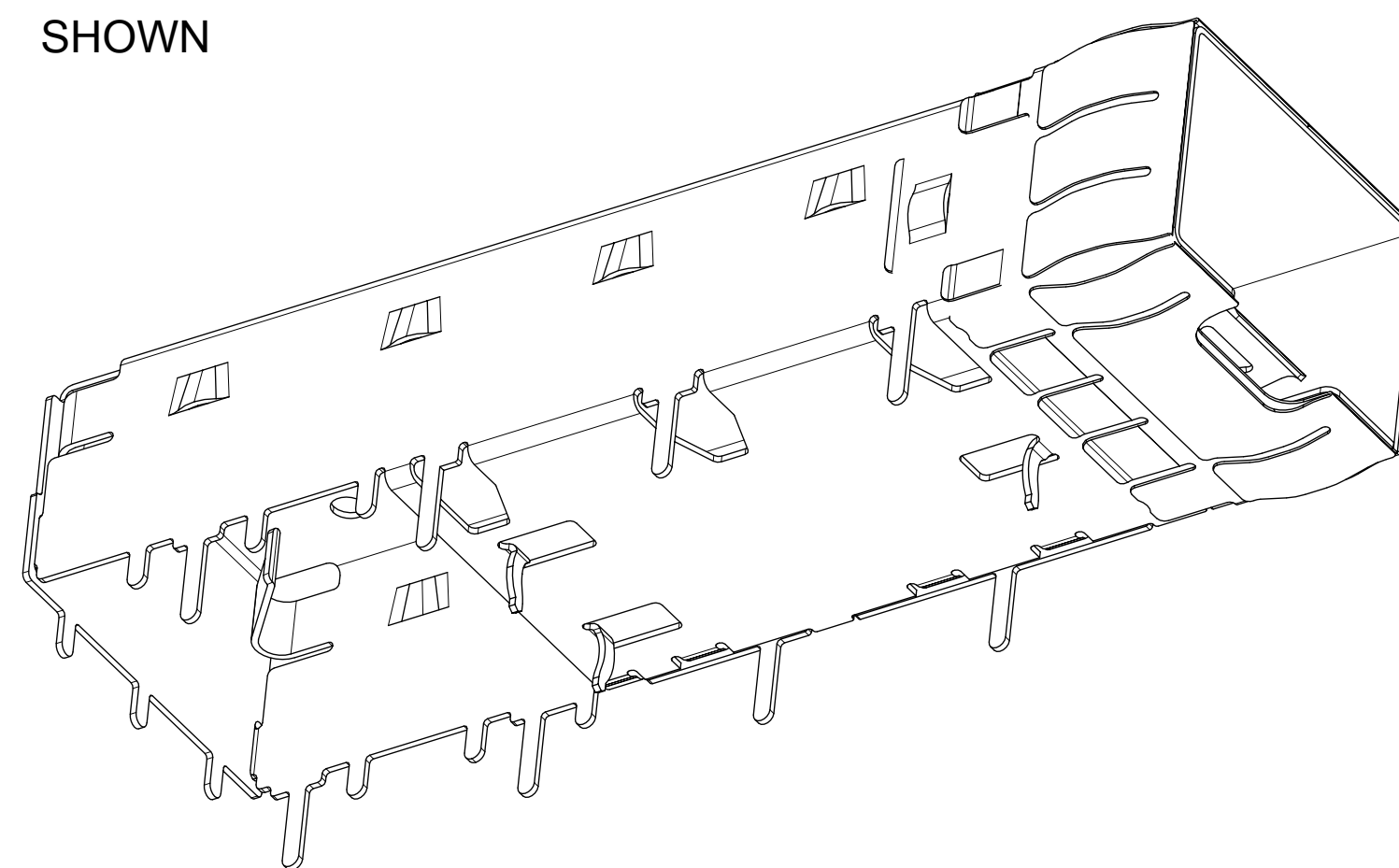
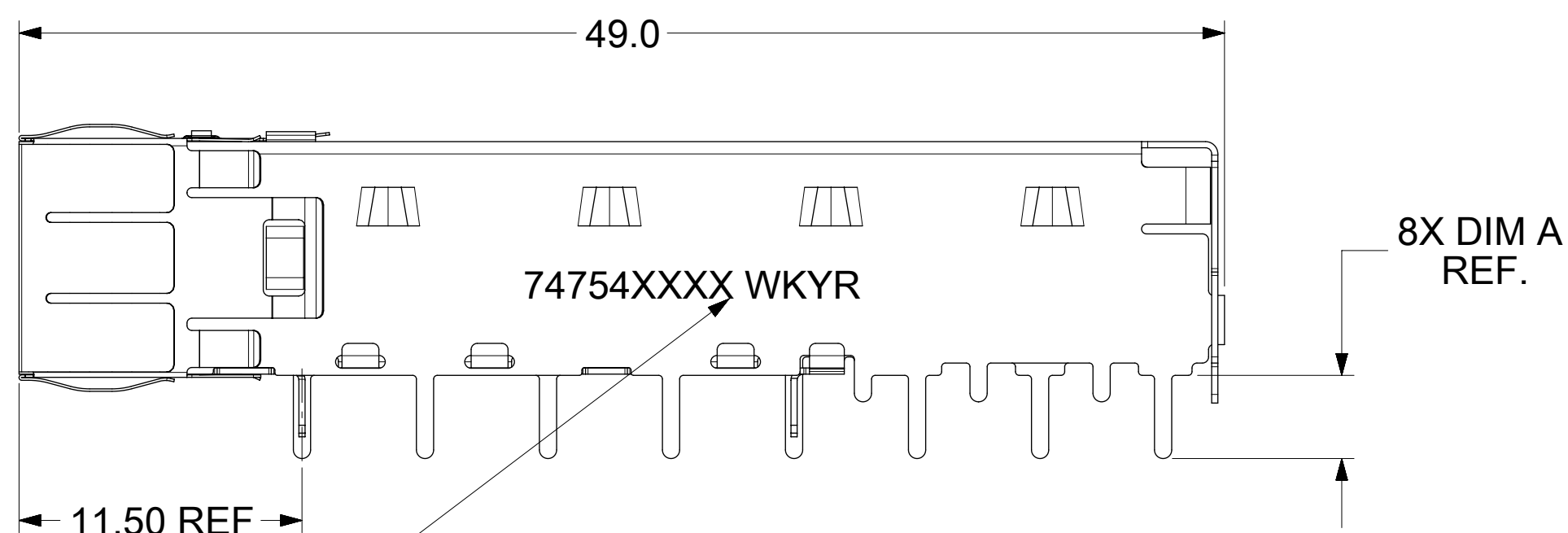
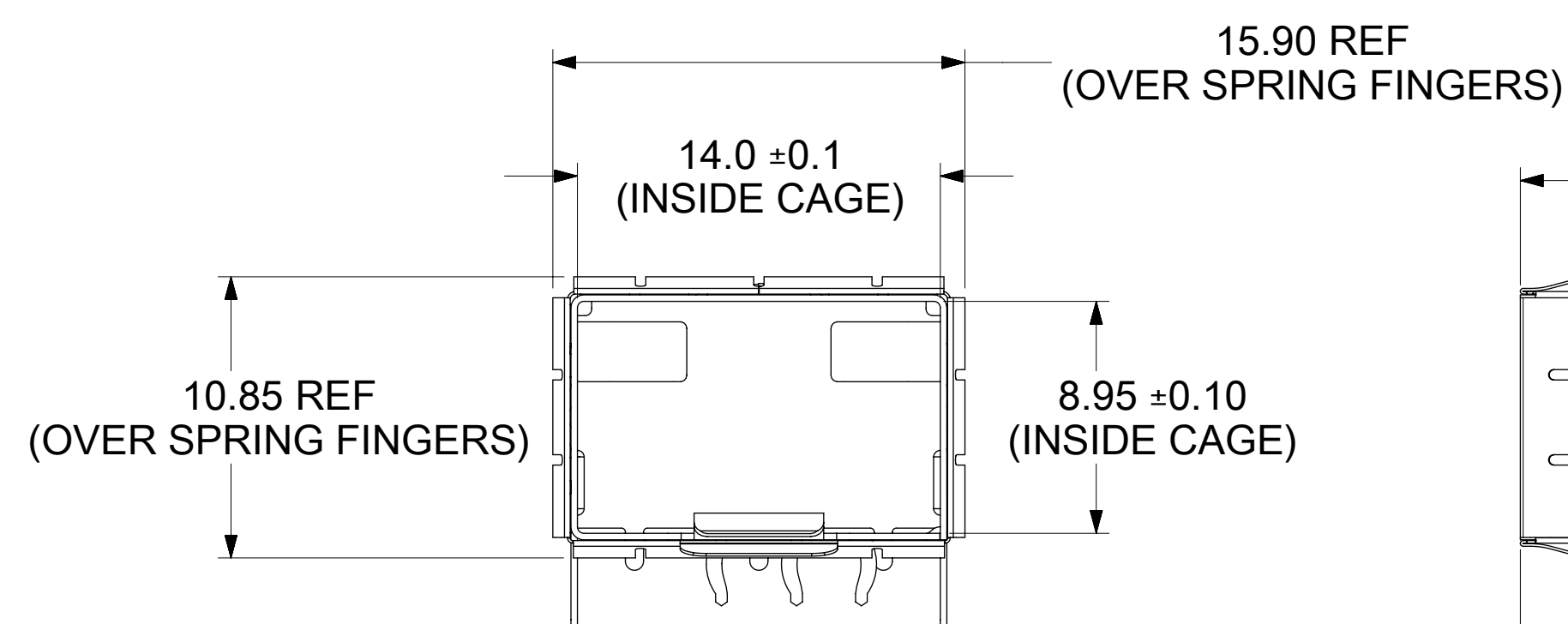


747547103

SHOWN



EMI SPRING



P/N AND WEEK/YEAR DATE CODE TO BE PRINTED / STAMPED ON THE SIDE OF COMPLETED CAGE ASSEMBLY AS SHOWN.

SEE TABLE BELOW FOR DATE CODE INFORMATION.

WEEK/YEAR DATE CODE TABLE	
WK	WEEK OF THE YEAR 01 THRU 52 (EXAMPLE: 01= FIRST WEEK OF YEAR 52= LAST WEEK OF YEAR)
YR	22, 23, 24 ETC.. (EXAMPLE: YEAR 2022= 22)

SFP+ 1X1 CAGE					
PART NO.	PLATING	DIM, A	SF THICKNESS	PACKING	SHEET NO.
747547103	PRE-PLATED WITH NICKEL	3.38	0.10mm	TRAY	SHEET 1
747548134	PRE-PLATED WITH NICKEL	2.80	0.10mm	TRAY	SHEET 1
747548909	UNPLATED	3.38	0.10mm	T & R	SHEET 1
747548907	PRE-PLATED WITH NICKEL	2.20	0.08mm	T & R	SHEET 2

NOTES:

- MATERIAL:  
CAGE: COPPER ALLOY, THICKNESS 0.25mm  
SPRING FINGER: STAINLESS STEEL (THICKNESS REFER P/N TABLE).
- OPTIONAL LIGHT PIPE ASSEMBLY AVAILABLE
- PORTS ARE DESIGNED FOR SFP+ TRANSCEIVERS AND ARE BACKWARDS COMPATIBLE WITH SFP TRANSCEIVERS
- NO RoHS EXEMPTIONS
- WITHOUT ANY DISCOLORATION AFTER IR REFLOW TEST (REFER TO PS OF 747540001)

FUNCTIONAL SYMBOLS $\nabla_A = 0$ $\nabla_C = 0$ $\nabla_P = 0$ DIVISIONAL SYMBOLS	THIS DRAWING CONTAINS INFORMATION THAT IS PROPRIETARY TO MOLEX ELECTRONIC TECHNOLOGIES, LLC AND SHOULD NOT BE USED WITHOUT WRITTEN PERMISSION	DIMENSION UNITS	SCALE	CURRENT REV DESC: SEE REVISION TABLE		
			4:1			
	GENERAL TOLERANCES (UNLESS SPECIFIED)		ANGULAR TOL $\pm 1.0^\circ$		EC NO: 707262	
	4 PLACES $\pm$	3 PLACES $\pm$		DRWN: CHETHH2 2022/05/26		
2 PLACES $\pm 0.15$		1 PLACE $\pm 0.25$		CHK'D: TKUMARKC 2022/05/26		
0 PLACES $\pm$		DRAFT WHERE APPLICABLE MUST REMAIN WITHIN DIMENSIONS		APPR: SCHIEN 2022/05/27		
THIRD ANGLE PROJECTION		DRAWING	SERIES	INITIAL REVISION:		
D-SIZE		74754	SEE P/N TABLE	DRWN: ABHILT2 2022/04/11		
MATERIAL NUMBER		CUSTOMER	REVISION		DOC TYPE DOC PART	
747547103		PSD	ASY	B		
SHEET NUMBER		1 OF 7				

**molex**

SFP+ 1X1 CAGE ASSEMBLY  
WITH SUS SPRING FINGERS AND SOLDER POST LEGS

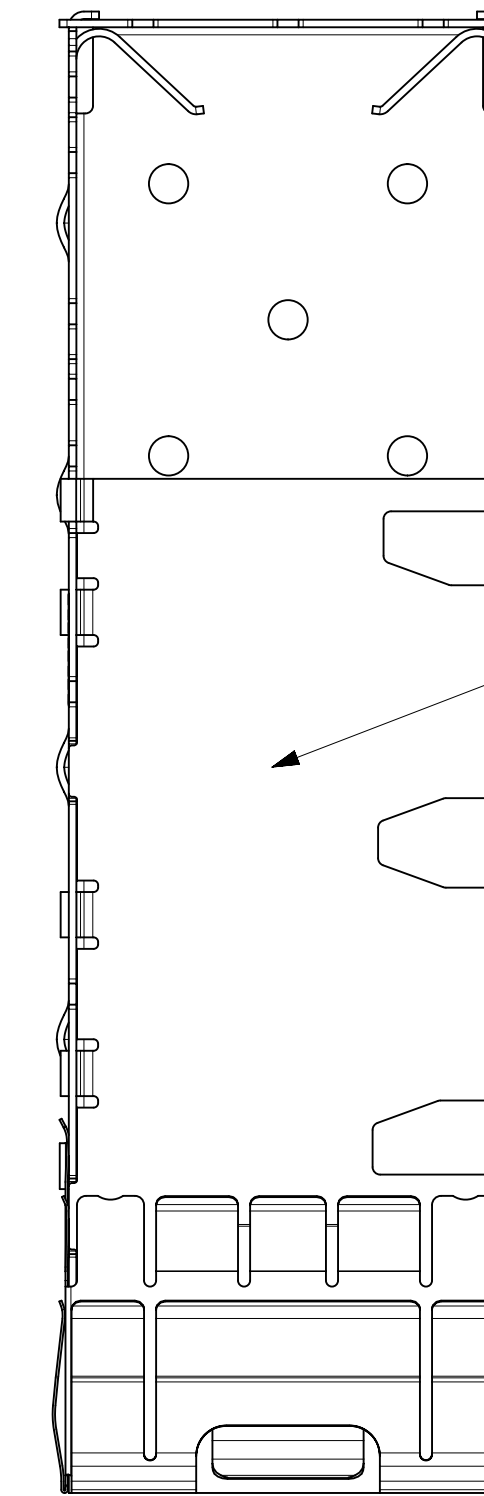
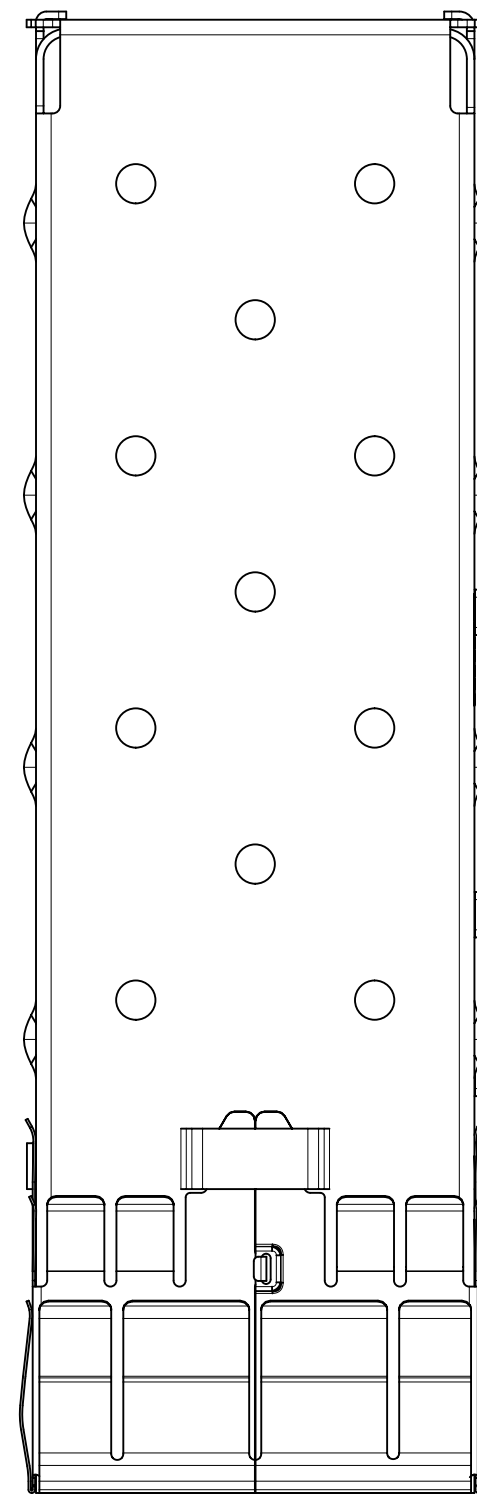
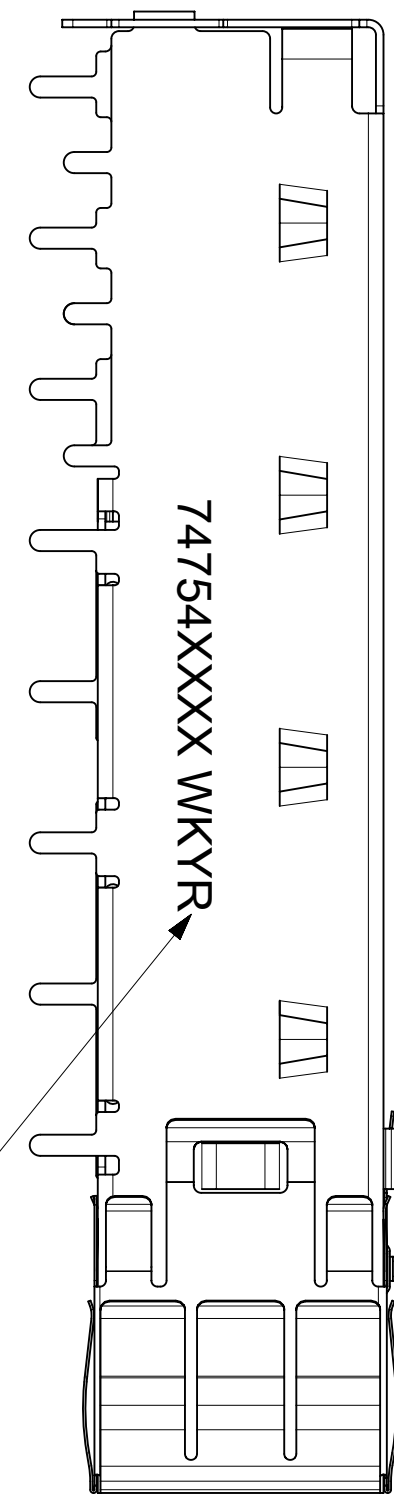
PRODUCT CUSTOMER DRAWING

DOCUMENT NUMBER DOC TYPE DOC PART REVISION

747547103 PSD ASY B

MATERIAL NUMBER CUSTOMER SHEET NUMBER

747547103 SEE P/N TABLE 1 OF 7

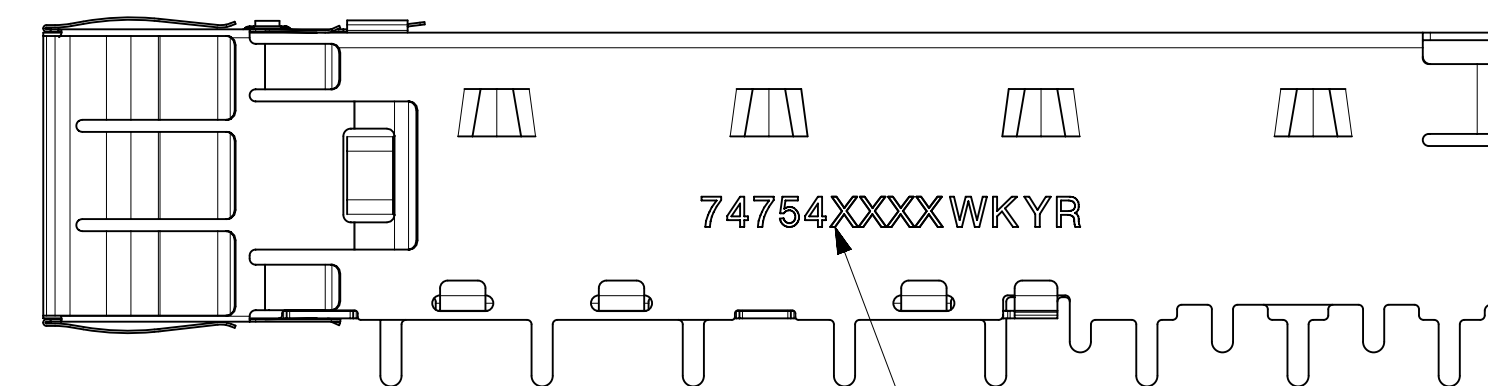
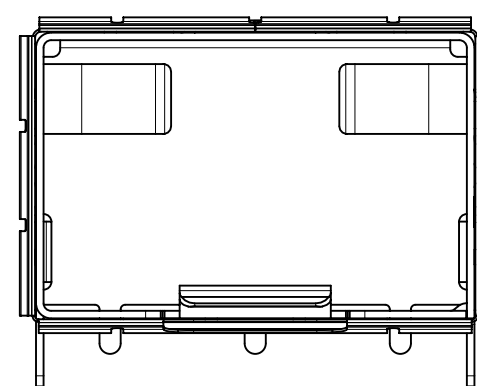


WITHOUT THREE BOTTOM LEGS

P/N AND WEEK/YEAR DATE CODE TO BE PRINTED ON THE SIDE OF COMPLETED CAGE ASSEMBLY AS SHOWN.

SEE TABLE BELOW FOR DATE CODE INFORMATION.

WEEK/YEAR DATE CODE TABLE	
WK	WEEK OF THE YEAR 01 THRU 52 (EXAMPLE: 01= FIRST WEEK OF YEAR 52= LAST WEEK OF YEAR)
YR	22, 23, 24 ETC.. (EXAMPLE: YEAR 2022= 22)



MOLEX INTERNAL USE ONLY

PART NO.  
747548907

FUNCTIONAL SYMBOLS $\nabla_A = 0$ $\nabla_C = 0$ $\nabla_D = 0$ DIVISIONAL SYMBOLS	THIS DRAWING CONTAINS INFORMATION THAT IS PROPRIETARY TO MOLEX ELECTRONIC TECHNOLOGIES, LLC AND SHOULD NOT BE USED WITHOUT WRITTEN PERMISSION	SCALE <b>4:1</b>	CURRENT REV DESC: SEE REVISION TABLE		
	GENERAL TOLERANCES (UNLESS SPECIFIED)	EC NO: 707262	2022/05/26		
	ANGULAR TOL $\pm 1.0^\circ$	DRWN: CHETHH2	2022/05/26		
	4 PLACES $\pm$	CHK'D: TKUMARKC	2022/05/27		
3 PLACES $\pm$	APPR: SCHIEN	2022/05/27			
2 PLACES $\pm 0.15$	INITIAL REVISION:				
1 PLACE $\pm 0.25$	DRWN: ABHILT2	2022/04/11			
0 PLACES $\pm$	APPR: SCHIEN	2022/05/19			
DRAFT WHERE APPLICABLE MUST REMAIN WITHIN DIMENSIONS	THIRD ANGLE PROJECTION	DRAWING	SERIES	MATERIAL NUMBER	CUSTOMER
		<b>D-SIZE</b>	<b>74754</b>	SEE P/N TABLE	

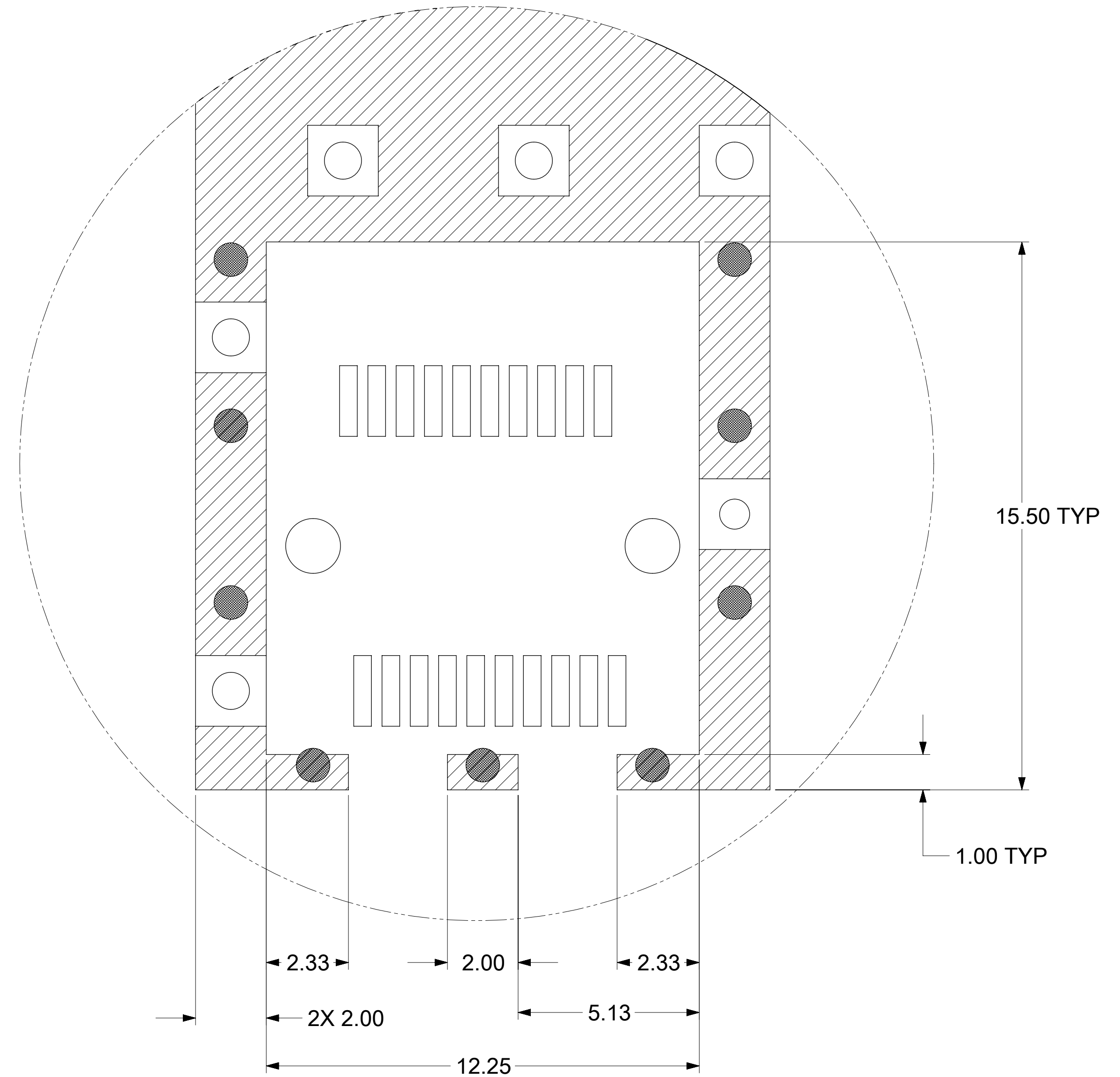
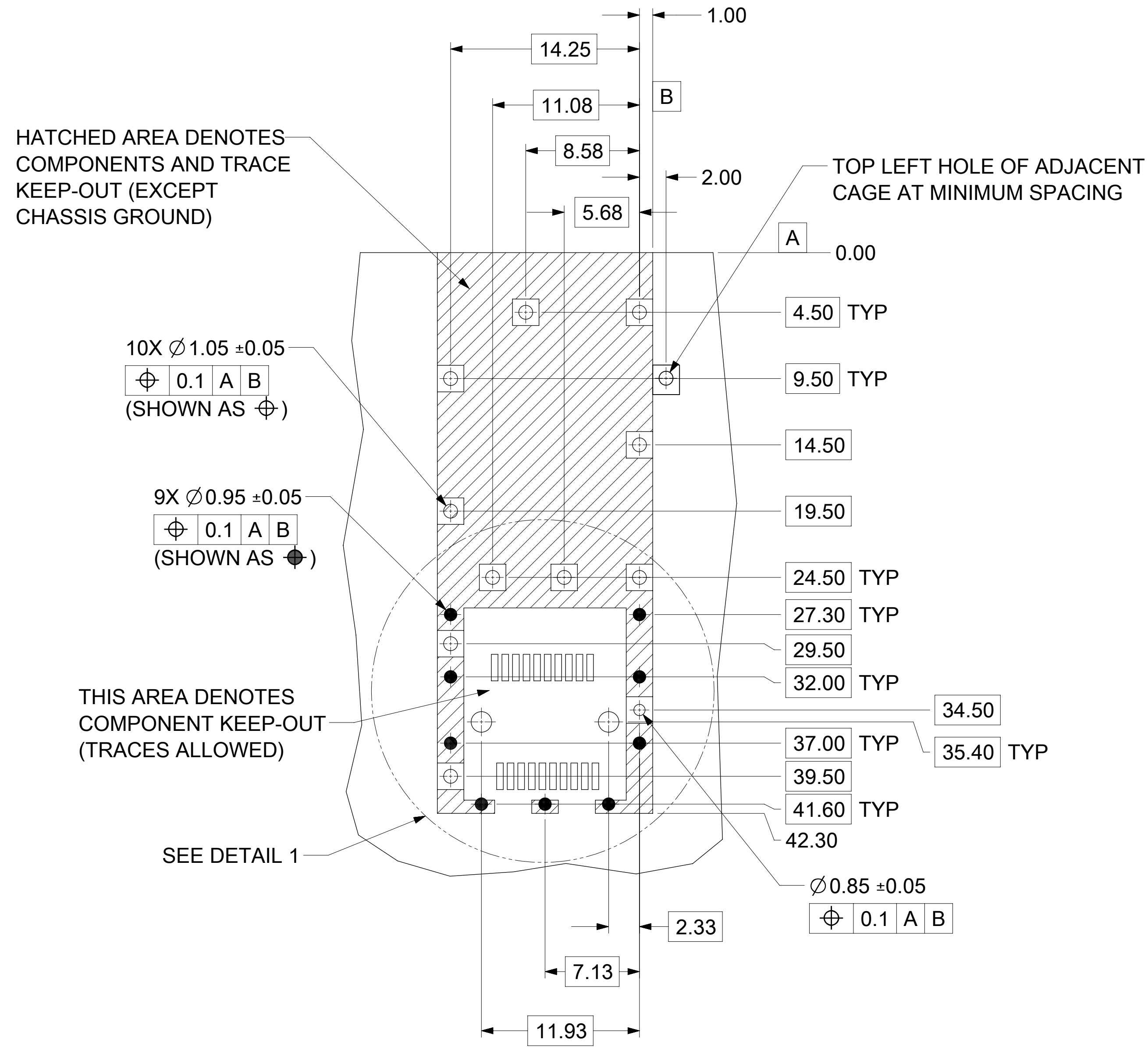
**molex**

SFP+ 1X1 CAGE ASSEMBLY  
WITH SUS SPRING FINGERS AND SOLDER POST LEGS

PRODUCT CUSTOMER DRAWING

DOCUMENT NUMBER	DOC TYPE	DOC PART	REVISION
<b>747547103</b>	PSD	ASY	<b>B</b>

# PCB LAYOUT FOR SINGLE SIDE MOUNT



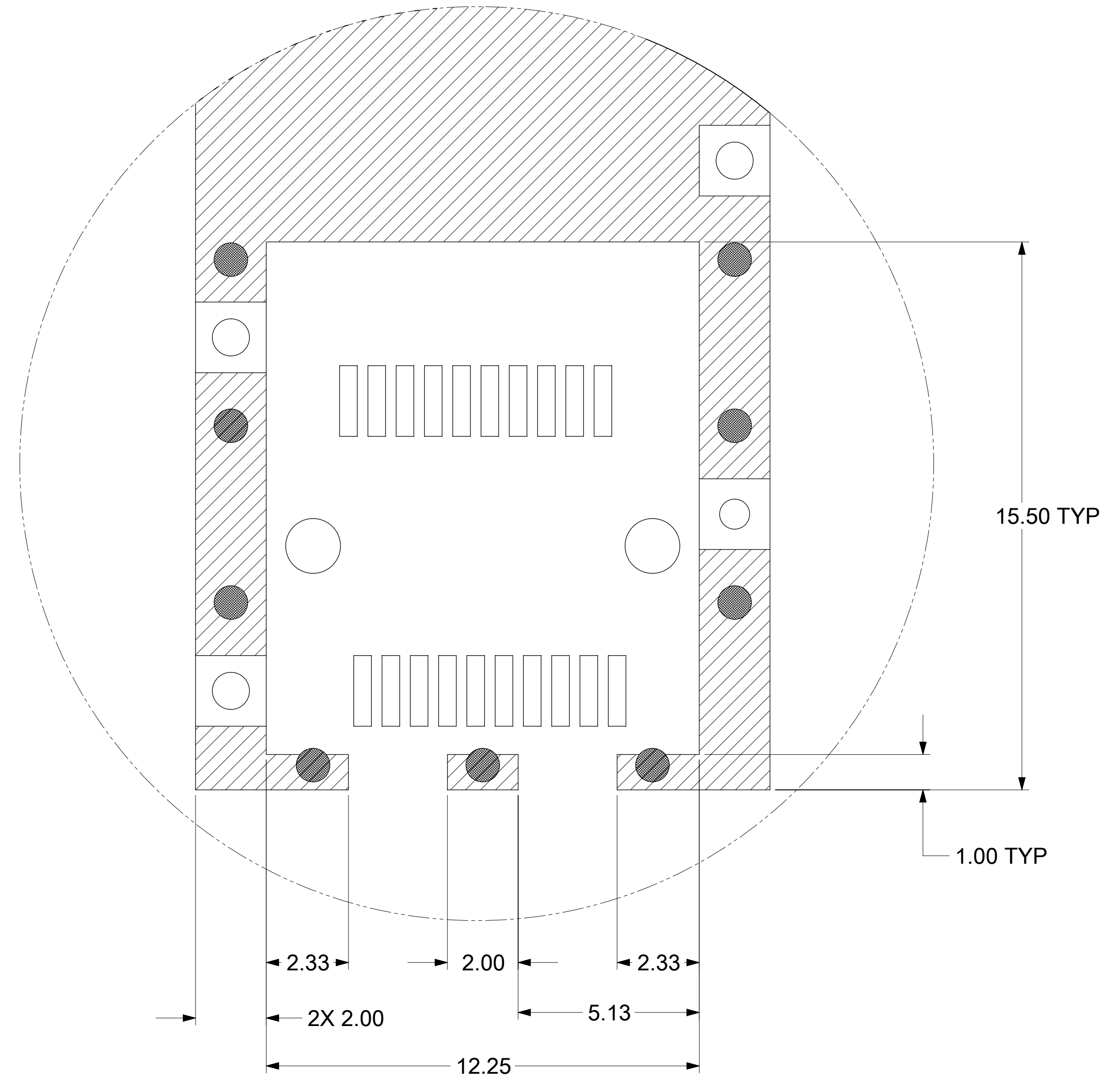
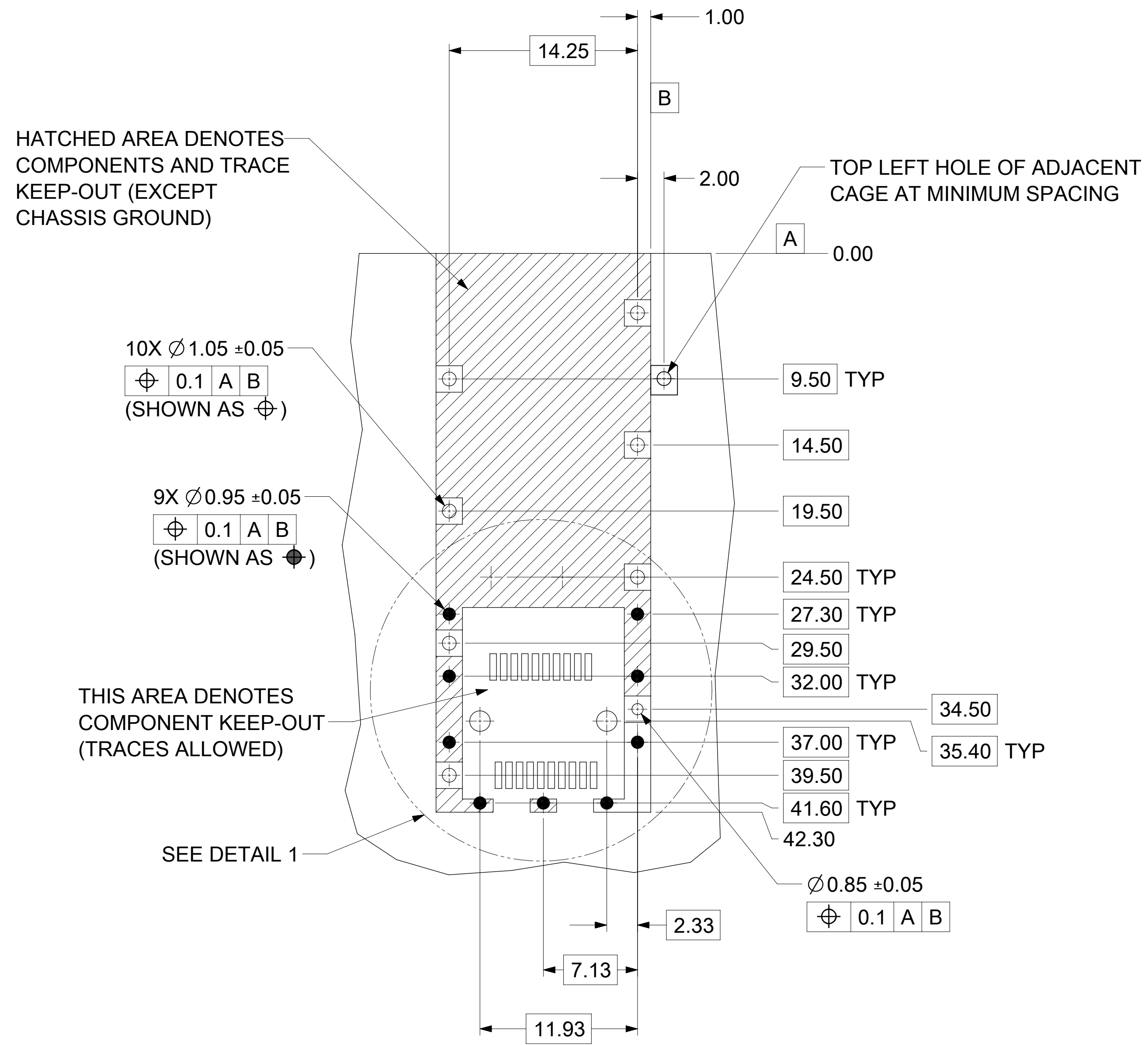
DETAIL 1  
SCALE 10:1  
HOST CONNECTOR DETAIL

- NOTES:
- PADS AND VIAS CONNECT TO CHASSIS GROUND (RECOMMEND PADS TO BE 2.00mm SQUARE)
  - RECOMMENDED THRU HOLE PLATING INCLUDES HASL, OSP, OR IMMERSION (GOLD, SILVER, OR TIN).
  - CONNECTOR PAD LAYOUT PER SFP+ MSA WILL ACCOMMODATE MOLEX CONNECTOR SERIES 74441 OR EQUIVALENT.

FUNCTIONAL SYMBOLS $\nabla_A = 0$ $\nabla_C = 0$ $\nabla_P = 0$	THIS DRAWING CONTAINS INFORMATION THAT IS PROPRIETARY TO MOLEX ELECTRONIC TECHNOLOGIES, LLC AND SHOULD NOT BE USED WITHOUT WRITTEN PERMISSION		CURRENT REV DESC: SEE REVISION TABLE		
	DIMENSION UNITS	SCALE	EC NO: 707262		
DIVISIONAL SYMBOLS	GENERAL TOLERANCES (UNLESS SPECIFIED)		DRWN: CHETHH2 2022/05/26		PRODUCT CUSTOMER DRAWING
	ANGULAR TOL $\pm 1.0^\circ$		CHK'D: TKUMARKC 2022/05/26		
	4 PLACES	$\pm$	APPR: SCHIEN 2022/05/27		DOC TYPE PSD ASY B
	3 PLACES	$\pm$	INITIAL REVISION:		
	2 PLACES	$\pm 0.15$	DRWN: ABHILT2 2022/04/11		REVISION B
	1 PLACE	$\pm 0.25$	APPR: SCHIEN 2022/05/19		
	0 PLACES	$\pm$	DRAFT WHERE APPLICABLE MUST REMAIN WITHIN DIMENSIONS		SHEET NUMBER 2 OF 7
			THIRD ANGLE PROJECTION	DRAWING	
				<b>D-SIZE</b>	
				SERIES	
				<b>74754</b>	

# PCB LAYOUT FOR SINGLE SIDE MOUNT

ONLY FOR 747548907

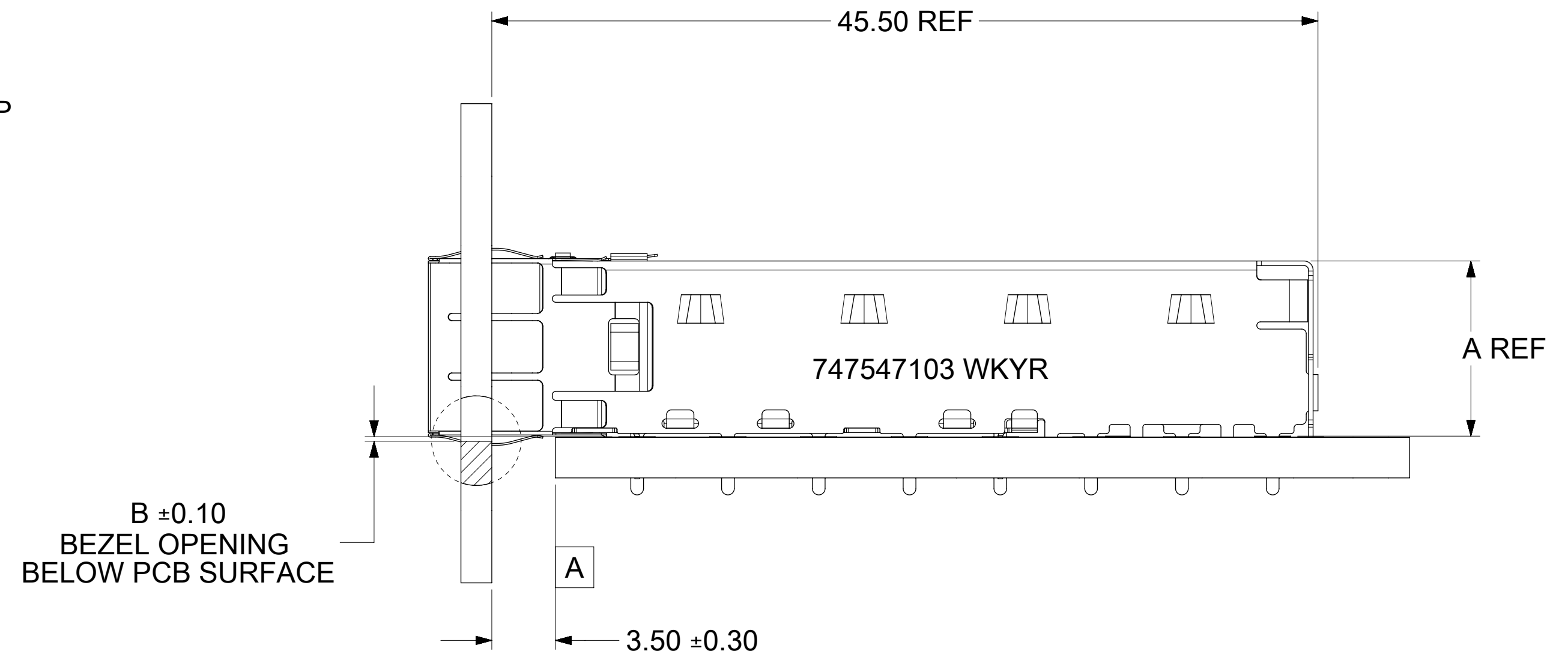
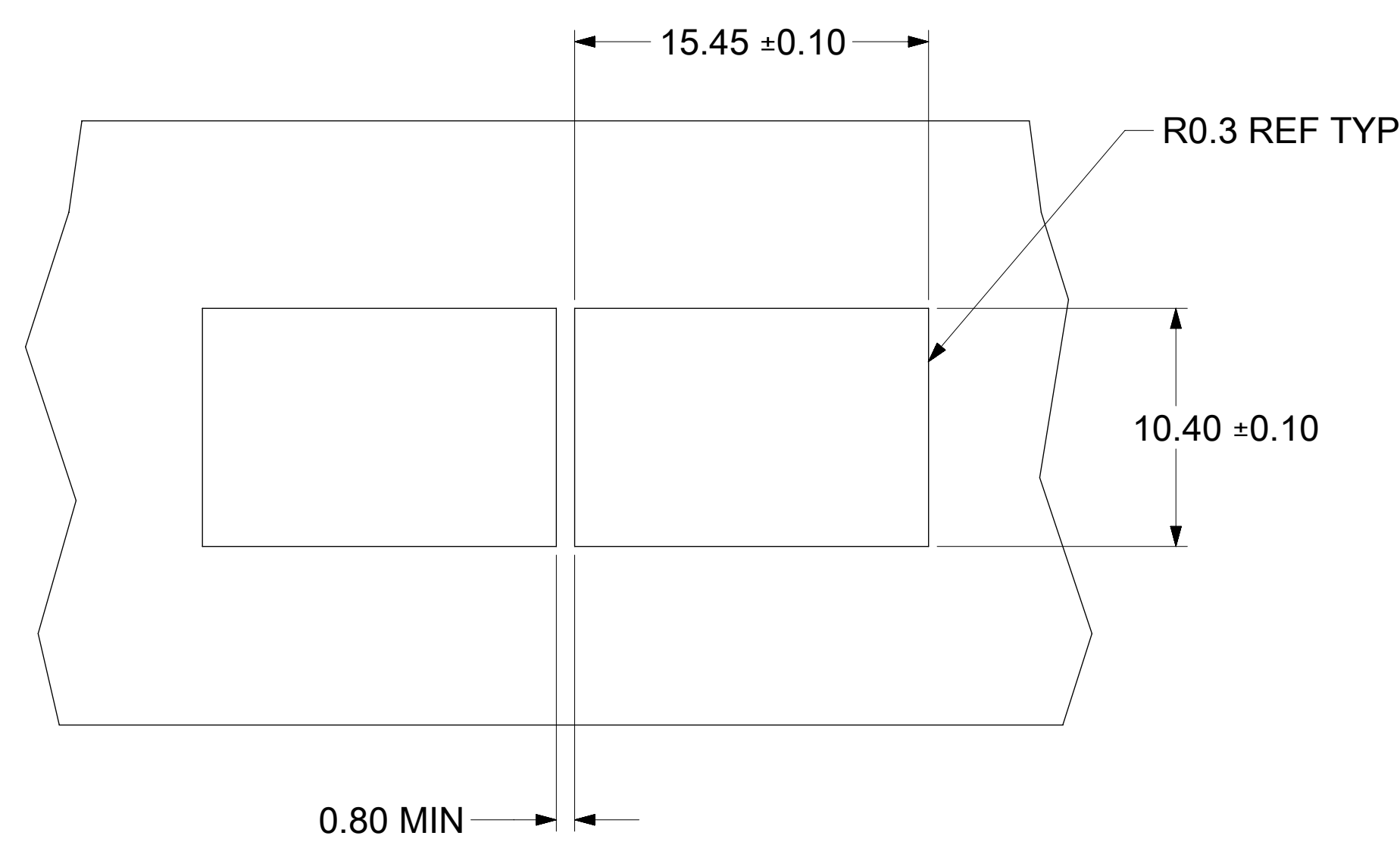


DETAIL 1  
SCALE 10:1  
HOST CONNECTOR DETAIL

- NOTES:
- PADS AND VIAS CONNECT TO CHASSIS GROUND (RECOMMEND PADS TO BE 2.00mm SQUARE)
  - RECOMMENDED THRU HOLE PLATING INCLUDES HASL, OSP, OR IMMERSION (GOLD, SILVER, OR TIN).
  - CONNECTOR PAD LAYOUT PER SFP+ MSA WILL ACCOMMODATE MOLEX CONNECTOR SERIES 74441 OR EQUIVALENT.

FUNCTIONAL SYMBOLS	THIS DRAWING CONTAINS INFORMATION THAT IS PROPRIETARY TO MOLEX ELECTRONIC TECHNOLOGIES, LLC AND SHOULD NOT BE USED WITHOUT WRITTEN PERMISSION		CURRENT REV DESC: SEE REVISION TABLE		
	DIMENSION UNITS	SCALE			
$\nabla_A = 0$		4:1			SFP+ 1X1 CAGE ASSEMBLY WITH SUS SPRING FINGERS AND SOLDER POST LEGS
$\nabla_C = 0$	GENERAL TOLERANCES (UNLESS SPECIFIED)				
$\nabla_P = 0$	ANGULAR TOL $\pm 1.0^\circ$				PRODUCT CUSTOMER DRAWING
DIVISIONAL SYMBOLS	4 PLACES	$\pm$	EC NO: 707262	2022/05/26	
	3 PLACES	$\pm$	DRWN: CHETHH2	2022/05/26	
	2 PLACES	$\pm 0.15$	CHK'D: TKUMARKC	2022/05/27	
	1 PLACE	$\pm 0.25$	APPR: SCHIEN		
	0 PLACES	$\pm$	INITIAL REVISION:		
	DRAFT WHERE APPLICABLE MUST REMAIN WITHIN DIMENSIONS		DRWN: ABHILT2	2022/04/11	
	THIRD ANGLE PROJECTION		APPR: SCHIEN	2022/05/19	
	DRAWING		SERIES	MATERIAL NUMBER	CUSTOMER
	D-SIZE		74754	SEE P/N TABLE	
					SHEET NUMBER
					7 OF 7

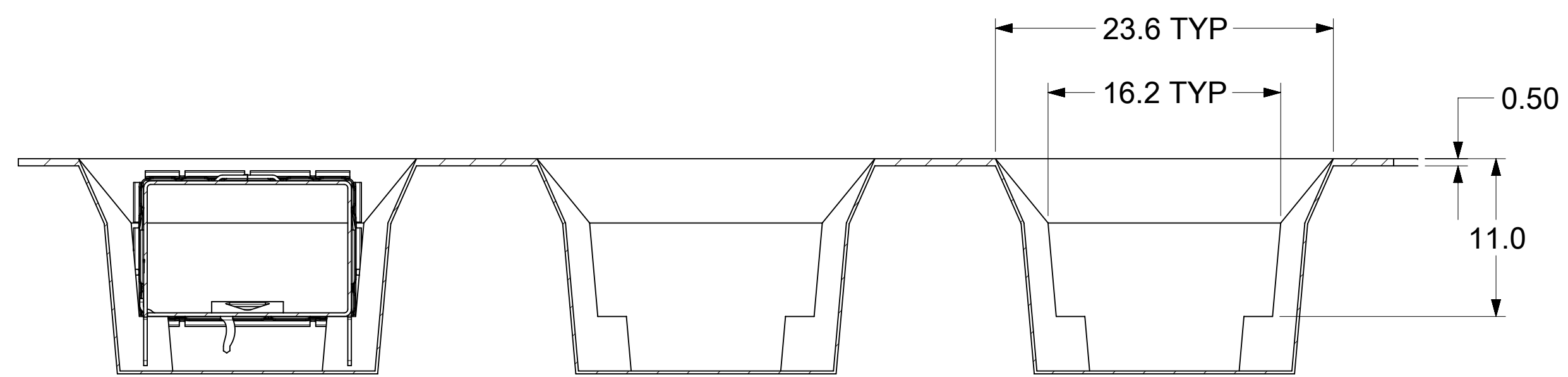
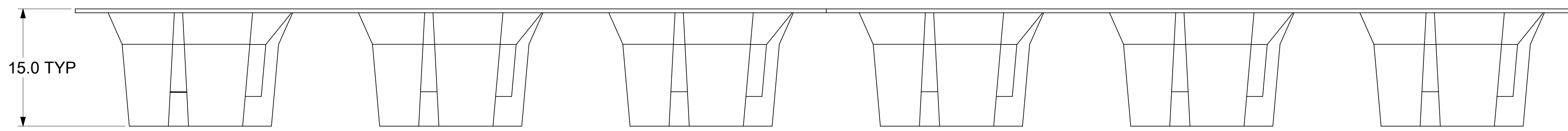
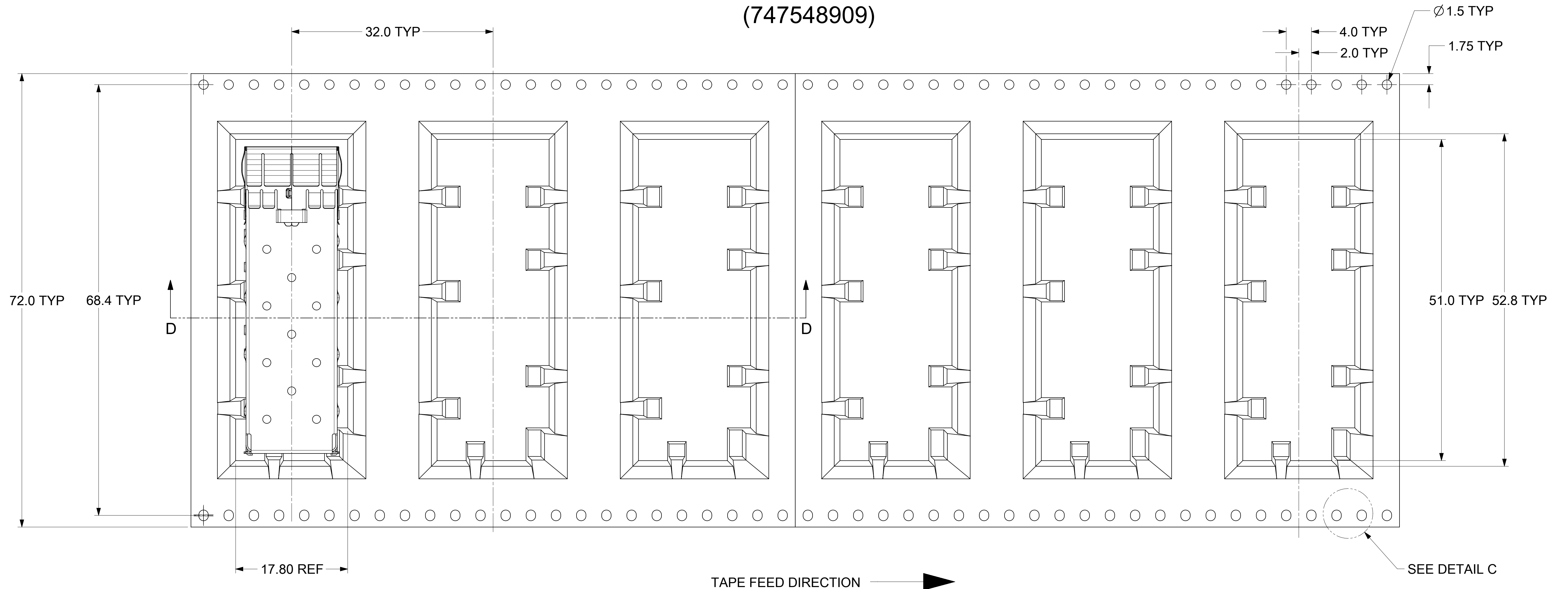
# BEZEL AND BOARD POSITION DIMENSIONS FOR SINGLE SIDE MOUNTING (SPRING FINGER)



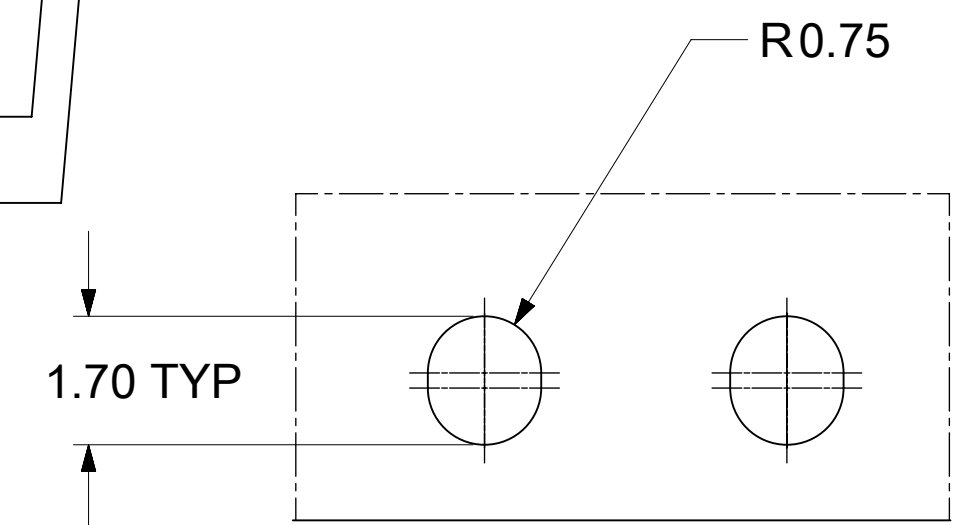
SFP+ 1X1 CAGE		
PART NO.	DIME A	DIM B
747547103	9.47	0.43
747548134	9.65	0.25
747548909	9.47	0.43
747548907	9.47	0.43

<b>FUNCTIONAL SYMBOLS</b> $\nabla_A = 0$ $\nabla_C = 0$ $\nabla_D = 0$	THIS DRAWING CONTAINS INFORMATION THAT IS PROPRIETARY TO MOLEX ELECTRONIC TECHNOLOGIES, LLC AND SHOULD NOT BE USED WITHOUT WRITTEN PERMISSION	CURRENT REV DESC: SEE REVISION TABLE					
	DIMENSION UNITS	SCALE	GENERAL TOLERANCES (UNLESS SPECIFIED)				
	4 PLACES	4:1	ANGULAR TOL ± 1.0°		PRODUCT CUSTOMER DRAWING		
	3 PLACES		4 PLACES ±		DOCUMENT NUMBER		
2 PLACES		3 PLACES ±		DOC TYPE			
1 PLACE		2 PLACES ± 0.15		DOC PART			
0 PLACES		1 PLACE ± 0.25		REVISION			
DRAFT WHERE APPLICABLE MUST REMAIN WITHIN DIMENSIONS		THIRD ANGLE PROJECTION	DRAWING	SERIES	MATERIAL NUMBER	CUSTOMER	SHEET NUMBER
			D-SIZE	74754	747547103	PSD ASY B	3 OF 7

# TAPE & REEL DETAIL FOR P/N (747548909)



SECTION D-D



DETAIL C  
SCALE 10:1

<b>FUNCTIONAL SYMBOLS</b> $F_A = 0$ $F_C = 0$ $F_D = 0$ <b>DIVISIONAL SYMBOLS</b>	THIS DRAWING CONTAINS INFORMATION THAT IS PROPRIETARY TO MOLEX ELECTRONIC TECHNOLOGIES, LLC AND SHOULD NOT BE USED WITHOUT WRITTEN PERMISSION		CURRENT REV DESC: SEE REVISION TABLE	
	DIMENSION UNITS	SCALE		
	GENERAL TOLERANCES (UNLESS SPECIFIED)			
	ANGULAR TOL $\pm 1.0^\circ$			
4 PLACES $\pm$		EC NO: 707262		
3 PLACES $\pm$		DRWN: CHETHH2	2022/05/26	
2 PLACES $\pm 0.15$		CHK'D: TKUMARKC	2022/05/26	
1 PLACE $\pm 0.25$		APPR: SCHIEN	2022/05/27	
0 PLACES $\pm$		INITIAL REVISION:		
DRAFT WHERE APPLICABLE MUST REMAIN WITHIN DIMENSIONS		DRWN: ABHILT2	2022/04/11	
		APPR: SCHIEN	2022/05/19	
		THIRD ANGLE PROJECTION	DRAWING	SERIES
			<b>D-SIZE</b>	<b>74754</b>
		MATERIAL NUMBER	CUSTOMER	SHEET NUMBER
		<b>747547103</b>	SEE P/N TABLE	<b>4 OF 7</b>

## molex

SFP+ 1X1 CAGE ASSEMBLY  
WITH SUS SPRING FINGERS AND SOLDER POST LEGS

PRODUCT CUSTOMER DRAWING

DOCUMENT NUMBER	DOC TYPE	DOC PART	REVISION
-----------------	----------	----------	----------

<b>747547103</b>	PSD	ASY	B
------------------	-----	-----	---

REV	DATE	DESCRIPTION
A	2022/04/11	INITIAL RELEASE
B	2022/05/26	SHEET 1 : D8 : ADDED 747548907 TO P/N TABLE. SHEET 2 : ADDED A NEW SHEET FOR 747548907. SHEET 4 : ADDED A NEW SHEET FOR PCB LAYOUT OF 747548907. SHEET 5 : E6 : ADDED 747548907 TO P/N TABLE.

<b>FUNCTIONAL SYMBOLS</b> = 0 = 0 = 0 <b>DIVISIONAL SYMBOLS</b>	THIS DRAWING CONTAINS INFORMATION THAT IS PROPRIETARY TO MOLEX ELECTRONIC TECHNOLOGIES, LLC AND SHOULD NOT BE USED WITHOUT WRITTEN PERMISSION		CURRENT REV DESC: SEE REVISION TABLE							
	DIMENSION UNITS SCALE <b>1:1</b>	GENERAL TOLERANCES (UNLESS SPECIFIED) ANGULAR TOL ± 1.0°		EC NO: 707262 DRWN: CHETHH2 2022/05/26 CHK'D: TKUMARKC 2022/05/26 APPR: SCHIEN 2022/05/27		SFP+ 1X1 CAGE ASSEMBLY WITH SUS SPRING FINGERS AND SOLDER POST LEGS				
	DRAFT WHERE APPLICABLE MUST REMAIN WITHIN DIMENSIONS		THIRD ANGLE PROJECTION	DRAWING <b>D-SIZE</b>	SERIES <b>74754</b>	DOCUMENT NUMBER <b>747547103</b>	DOC TYPE <b>PSD</b>	DOC PART <b>ASY</b>	REVISION <b>B</b>	PRODUCT CUSTOMER DRAWING
DOCUMENT STATUS   P1   RELEASE DATE   2022/05/27 10:20:23			MATERIAL NUMBER <b>SEE P/N TABLE</b>		CUSTOMER <b>5 OF 7</b>					