

S CN BN - J 1 1 75 - SO REM

SUNTSU

CONNECTOR

BNC

Connector Type
Jack

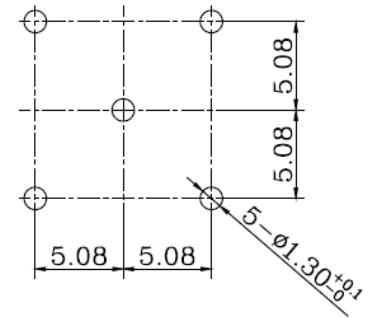
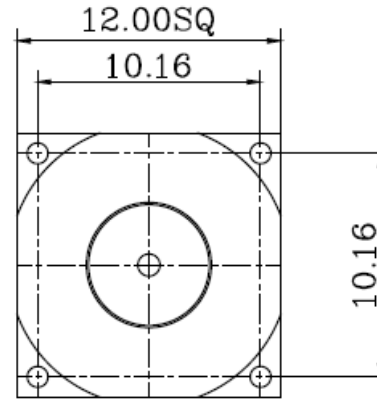
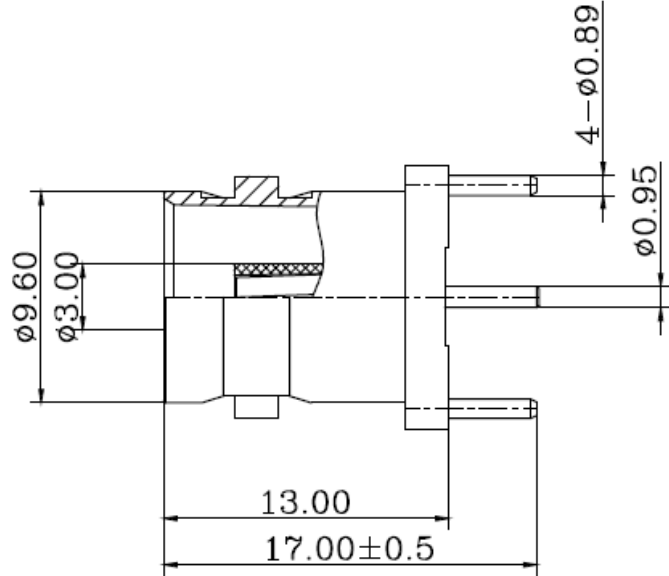
Rows

Connectors
per Row

Impedance
75

Contact Termination
Solder

Mounting Style
Receptacle
Mounting Hole



**Recommended
Mounting
Layout**

1. Materials:

- a) Body: Zinc Nickel Plated
- b) Contact: Brass Nickel Plated

- 2. Normal Impedence: 75Ω
- 3. Frequency Range: 0-4 GHz
- 4. Max Peak Voltage: 500V
- 5. Dielectric Strength: 1500V RMS
- 6. Insulation Resistance: 5000MΩ/Min



BNC FEMALE PCB MOUNTING

Document History				Part No.	Drawn
Edits Made	Date	Edited By	Approved By	SCNBN-J1175-SOREM	B. Gibbons 03/23/2022
Initial Release	03/23/2022	B. Gibbons	KH Mun	Scale	Tolerance
				Not drawn to scale	0.5-15 = ±0.15 15-30 = ±0.30 30-120 = ±0.60 >120 = ±1.00
				Unit	Pages
				mm	1/1