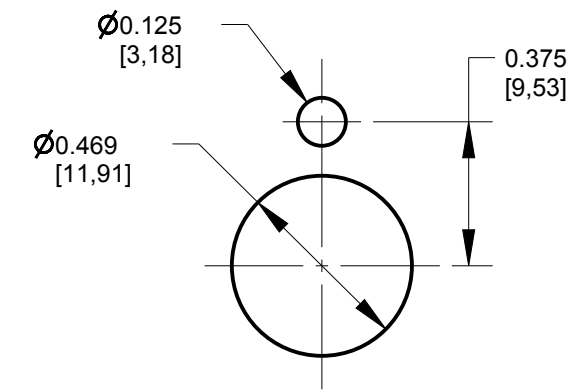
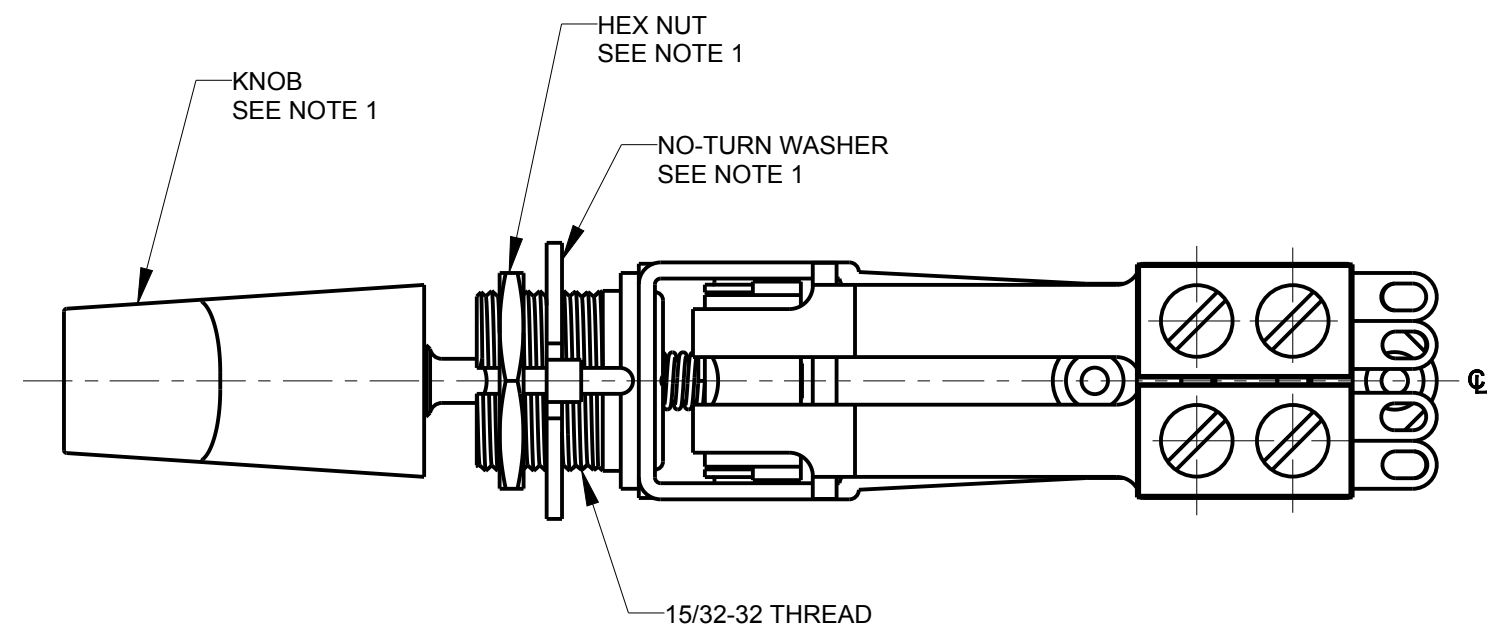
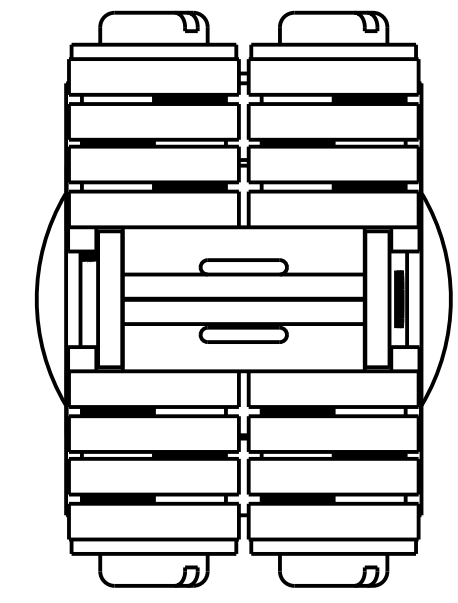
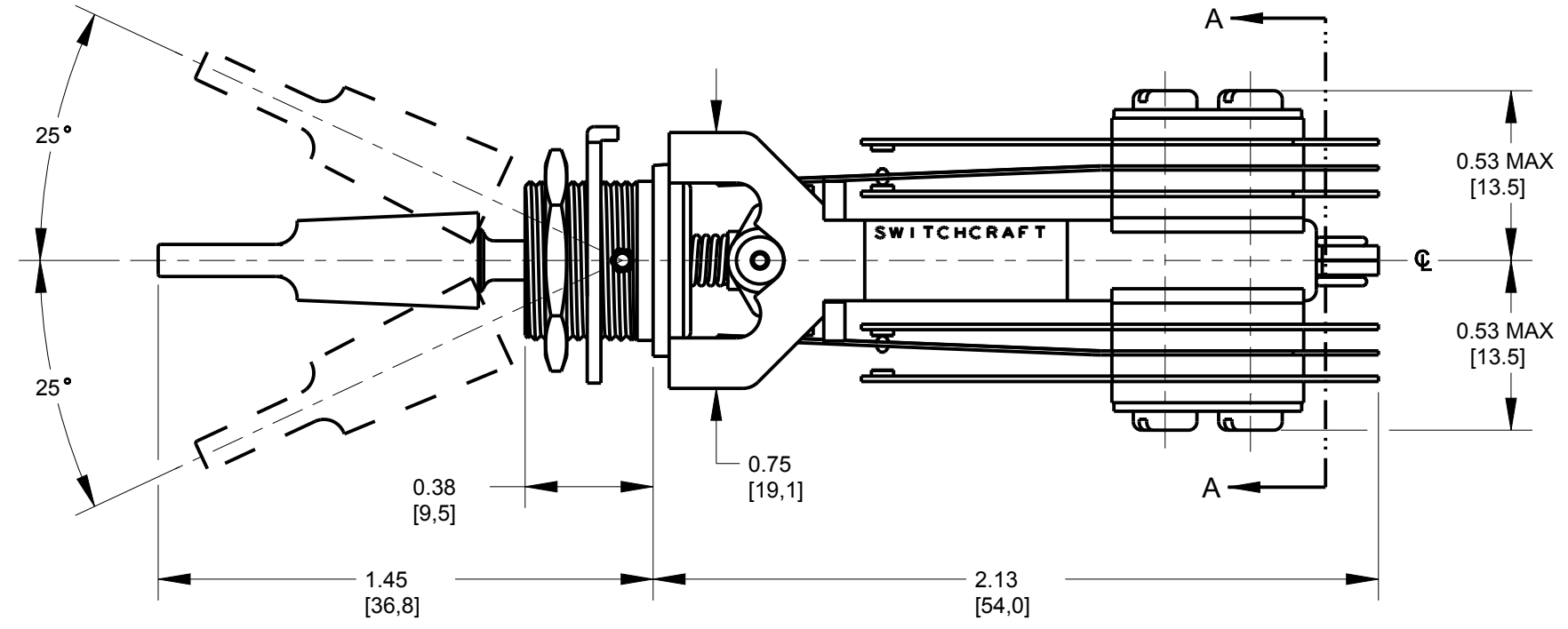
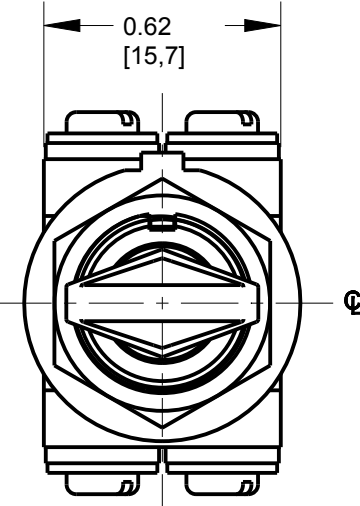


SCHEMATIC CIRCUIT
TYP (2)



RECOMMENDED PANEL CUT-OUT FOR USE WITH NO-TURN WASHER



SECTION A-A
TERMINAL POSITIONS
SCALE 3:1

NOTES:
1. KNOB AND HARDWARE SHIPPED UNASSEMBLED.

2. MAX PANEL THICKNESS: 0.25 [6.4]

3. MATERIALS:
FRAME - CRS, ZINC PLATED
BUSHING & ACTUATOR - COPPER ALLOY, NICKEL PLATED
SPRINGS - SPECIAL COPPER ALLOY
TERMINALS - TINNED DIPPED SOLDER LUGS
INSULATORS - PHENOLIC
LIFTERS & ROLLERS - THERMOPLASTIC
SCREWS - CRS, NICKEL PLATED
HEX NUT - COPPER ALLOY, NICKEL PLATED
WASHER - CRS, NICKEL PLATED
KNOB - THERMOPLASTIC, BLACK

4. THIS PRODUCT IS RoHS COMPLIANT

CUSTOMER DRAWING

REV	ECO NUMBER	DATE	BY	APVD
A	27887	05-12-17	PC	TJK
REVISIONS				

★ STAR SYMBOL DENOTES CRITICAL DIMENSION

UNLESS OTHERWISE SPECIFIED

1. ALL DIMENSIONS IN INCHES
-TWO PLACE DECIMALS ±0.01
-THREE PLACE DECIMALS ±0.005
-ANGLES ±1°
-ALL DIA. CONCENTRIC WITHIN 0.005 T.I.R.

2. FEATURES ON THE SAME CENTERLINE MUST BE ALIGNED WITHIN ±0.002

3. REMOVE ALL BURRS

DO NOT SCALE DRAWING

THIS DRAWING DESCRIBES A DESIGN CONSIDERED PROPRIETARY IN NATURE, DEVELOPED AND MANUFACTURED BY SWITCHCRAFT INC. AND IS RELEASED ON A CONFIDENTIAL BASIS FOR IDENTIFICATION PURPOSES ONLY.									
SIZE	WIDTH	MULT	LBS/M	TEMPER					
FINISH					MATERIAL				
SPEC No.					SPEC No.				
FIRST USED ON					SCALE				
					2:1				
DATE DRAWN	BY	CHKD	APVD						
May-15-19	PC	PC	TJK						
			05-15-19	05-15-19					
NAME								PART No.	REV
LT SERIES LEVER SWITCH								41312LX	A
3 POSITION LOCKING, RoHS									