

Low Power Stereo Codec with Headphone Amp

The SGTL5000 is a Low Power Stereo Codec with Headphone Amp from Freescale, and is designed to provide a complete audio solution for products needing LINEIN, MIC_IN, LINEOUT, headphone-out, and digital I/O. Deriving its architecture from best in class, Freescale integrated products that are currently on the market. The SGTL5000 is able to achieve ultra low power with very high performance and functionality, all in one of the smallest footprints available. Target markets include media players, navigation devices, smart phones, tablets, medical equipment, exercise equipment, consumer audio equipment, etc. Features such as capless headphone design and an internal PLL help lower overall system cost.

Features

Analog Inputs

- Stereo LINEIN - Support for external analog input
- Stereo LINEIN - Codec bypass for low power
- MIC bias provided
- Programmable MIC gain
- ADC - 85 dB SNR (-60 dB input) and -73 dB THD+N (V_{DDA} = 1.8 V)

Analog Outputs

- HP Output - Capless design
- HP Output - 62.5 mW max, 1.02 kHz sine into 16 Ω load at 3.3 V
- HP Output - 100 dB SNR (-60 dB input) and -80 dB THD+N (V_{DDA} = 1.8 V, 16 Ω load, DAC to headphone)
- LINEOUT - 100 dB SNR (-60 dB input) and -85 dB THD+N (V_{DDIO} = 3.3 V)

Digital I/O

- I²S port to allow routing to Application Processor

Integrated Digital Processing

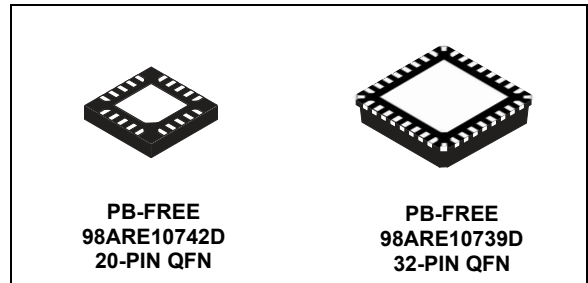
- Freescale surround, Freescale bass, tone control/ parametric equalizer/graphic equalizer clocking/control
- PLL allows input of an 8.0 MHz to 27 MHz system clock - standard audio clocks are derived from PLL

Power Supplies

- Designed to operate from 1.62 to 3.6 volts

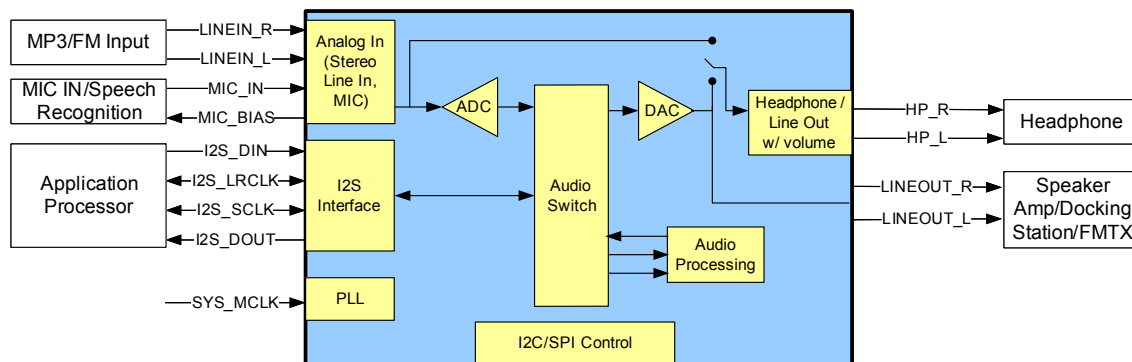
SGTL5000

AUDIO CODEC



ORDERING INFORMATION

Device	Temperature Range (T _A)	Package
SGTL5000XNLA3/R2	-40 to 85 °C	20 QFN
SGTL5000XNAA3/R2		32 QFN



Note: SPI is not supported in the 3.0 mm x 3.0 mm 20-pin QFN package

Figure 1. SGTL5000 Simplified Application Diagram

Freescale Semiconductor, Inc. reserves the right to change the detail specifications, as may be required, to permit improvements in the design of its products.

© Freescale Semiconductor, Inc., 2008-2013. All rights reserved.



INTERNAL BLOCK DIAGRAM

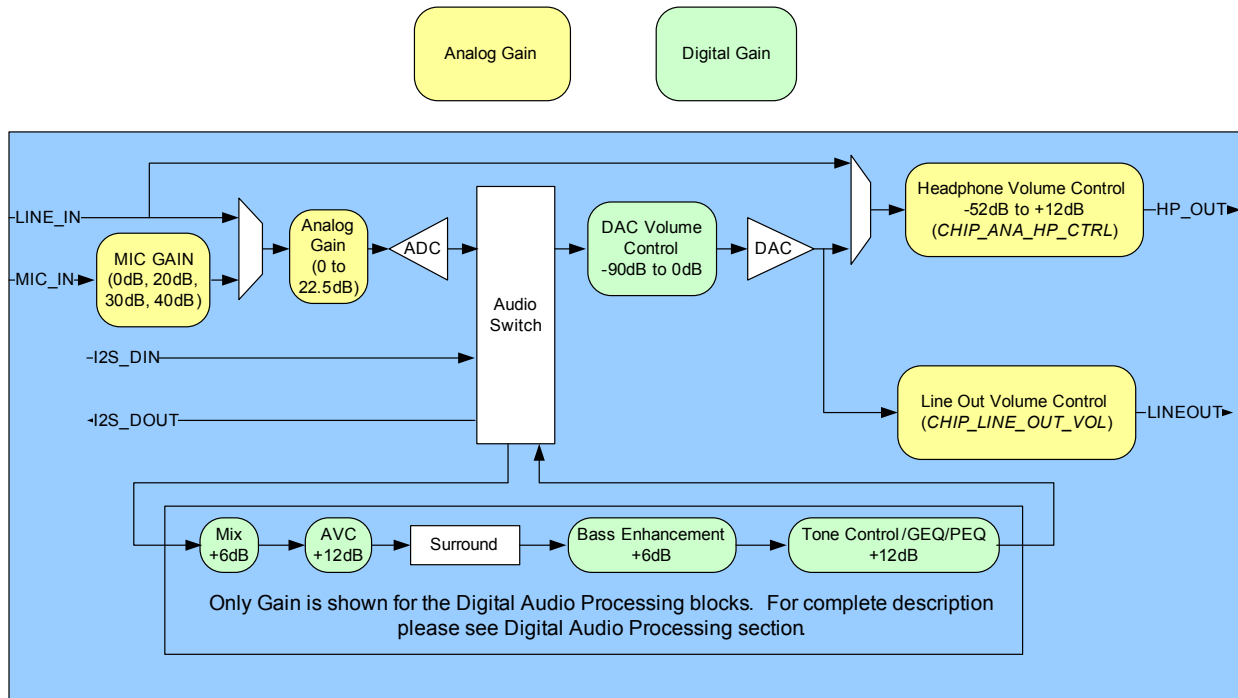


Figure 2. SGTL5000 Simplified Internal Block Diagram

PIN CONNECTIONS

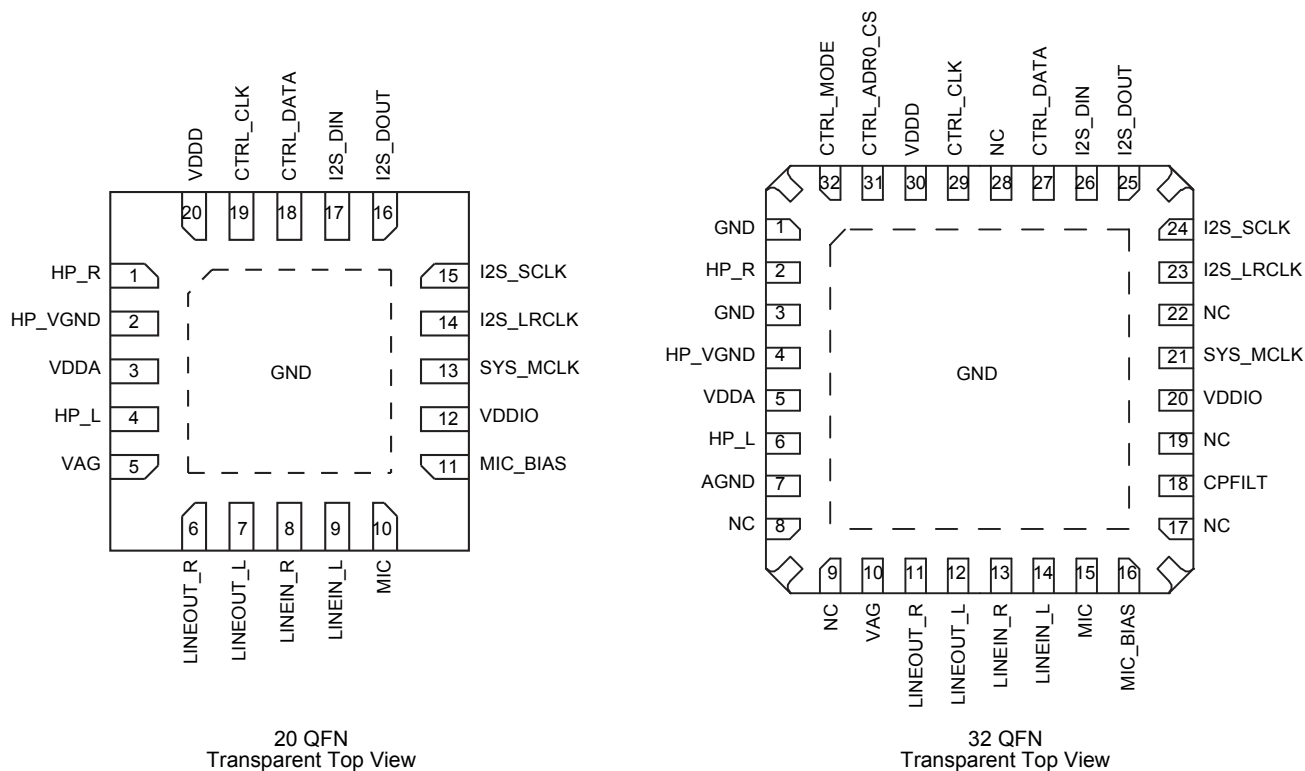


Figure 3. SGT5000 Pin Connections

A functional description can be found in [Functional Description](#), beginning on [page 12](#).

Table 1. SGT5000 Pin Definitions

20 Pin QFN	32 Pin QFN	Pin Name	Pin Function	Formal Name	Definition
1	2	HP_R	Analog	Right headphone output	
2	4	HP_VGND	Analog	Headphone virtual ground	Do not connect HP_VGND to system ground, even when unused. This is a virtual ground (DC voltage) that should never connect to an actual "0 Volt ground". Use the widest, shortest trace possible for the HP_VGND.
3	5	VDDA	Power	Analog voltage	
4	6	HP_L	Analog	Left headphone output	
-	7	AGND	Analog Ground	Ground	
-	8, 9, 17, 19, 22, 28	NC	No Connect		
5	10	VAG	Analog	DAC VAG filter	
6	11	LINEOUT_R	Analog	Right LINEOUT	
7	12	LINEOUT_L	Analog	Left LINEOUT	
8	13	LINEIN_R	Analog	Right LINEIN	
9	14	LINEIN_L	Analog	Left LINEIN	

Table 1. SCTL5000 Pin Definitions (continued)

20 Pin QFN	32 Pin QFN	Pin Name	Pin Function	Formal Name	Definition
10	15	MIC	Analog	Microphone input	
11	16	MIC_BIAS	Analog	Mic bias	
—	18	CPFILT	Analog	Charge Pump Filter	The CPFILT cap value is 0.1 μ F. If both VDDIO and VDDA are \leq 3.0 V, the CPFILT pin must be connected to a 0.1 μ F cap to GND. If either is $>$ 3.0 V, the CPFILT cap MUST NOT be placed.
12	20	VDDIO	Power	Digital I/O voltage	
13	21	SYS_MCLK	Digital	System master clock	
14	23	I2S_LRCLK	Digital	I ² S frame clock	
15	24	I2S_SCLK	Digital	I ² S bit clock	
16	25	I2S_DOUT	Digital	I ² S data output	
17	26	I2S_DIN	Digital	I ² S data input	
18	27	CTRL_DATA	Digital	I ² C Mode: Serial Data (SDA); SPI Mode: Serial Data Input (MOSI)	
19	29	CTRL_CLK	Digital	I ² C Mode: Serial Clock (SCL); SPI Mode: Serial Clock (SCK)	
20	30	VDDD	Digital	Digital voltage	For new designs, connect VDDD to an external voltage source and to a 0.1 μ F capacitor to GND.
-	31	CTRL_ADR0_CS	Digital	I ² C Mode: I ² C Address Select 0; SPI Mode: SPI Chip Select	
-	32	CTRL_MODE	Digital	Mode select for I ² C or SPI; When pulled low the control mode is I ² C, when pulled high the control mode is SPI	
PAD	1, 3, 4, PAD	GND	Ground	Ground	The PAD must be soldered to ground. Star the ground pins of the chip, VAG ground, and all analog inputs/outputs to a single point, then to the ground plane.

ELECTRICAL CHARACTERISTICS

MAXIMUM RATINGS

Table 2. Maximum Ratings

Exceeding the absolute maximum ratings shown in the following table could cause permanent damage to the part and is not recommended. Normal operation is not guaranteed at the absolute maximum ratings, and extended exposure could affect long term reliability.

Ratings	Symbol	Value	Unit
ELECTRICAL RATINGS			
Maximum Digital Voltage	V_{DDD}	1.98	V
Maximum Digital I/O Voltage	V_{DDIO}	3.6	V
Maximum Analog Supply Voltage	V_{DDA}	3.6	V
Maximum voltage on any digital input		GND-0.3 to $V_{DDIO}+0.3$	V
Maximum voltage on any analog input		GND-0.3 to $V_{DDA}+0.3$	V
THERMAL RATINGS			
Storage Temperature	T_{STG}	-55 to 125	°C
Operating Temperature Ambient	T_A	-40 to 85	°C

Table 3. Recommended Operating Conditions

Ratings	Symbol	Value	Unit
Digital Voltage (If supplied externally). External VDDD connection required for new designs.	V_{DDD}	1.1 to 2.0	V
Digital I/O Voltage	V_{DDIO}	1.62 to 3.6	V
Analog Supply Voltage	V_{DDA}	1.62 to 3.6	V

Table 4. Input/Output Electrical Characteristics

Test Conditions unless otherwise noted: $V_{DDIO} = 3.3\text{ V}$, $V_{DDA} = 3.3\text{ V}$, $T_A = 25\text{ }^\circ\text{C}$, Slave mode, $f_S = 48\text{ kHz}$, $MCLK = 256 f_S$, 24 bit input, 1.02 kHz sine.

Characteristic	Symbol	Min	Typ	Max	Unit
LINEIN Input Level (3.3 V VDDA)		-	-	2.83	V_{PP}
LINEIN Input Level (1.8 V VDDA)		-	-	1.60	V_{PP}
MIC Input Level (3.3 V VDDA)		-	-	2.83	V_{PP}
MIC Input Level (1.8 V VDDA)		-	-	1.60	V_{PP}
LINEOUT Output level 0 dBFS at 1.031 kHz 12S input, 1.8 V LINEOUT supply (normally VDDIO), 10 k Ω load		1.46	1.52	1.68	V_{PP}
LINEOUT Output level 0 dBFS at 1.031 kHz 12S input, 3.3 V LINEOUT supply (normally VDDIO), 10 k Ω load		2.53	2.61	3.11	V_{PP}
LINEIN Input Impedance		-	29	-	k Ω
MIC Input Impedance		-	2.9	-	k Ω
LINEOUT Output Impedance		-	320	-	Ω
LINEOUT Load		10	-	-	k Ω
HP (headphone) Load		16	-	-	Ω
SYS_MCLK Input Voltage swing		-0.3	V_{DDIO}	$V_{DDIO}+0.3$	V
SYS_MCLK Rise/Fall Time		0.5	-	10	ns

STATIC ELECTRICAL CHARACTERISTICS

Table 5. Audio Performance 1

Test Conditions unless otherwise noted: $V_{DDIO} = 1.8\text{ V}$, $V_{DDA} = 1.8\text{ V}$, $T_A = 25\text{ }^\circ\text{C}$, Slave mode, $f_S = 48\text{ kHz}$, $MCLK = 256 f_S$, 24 bit input

Characteristic	Symbol	Min	Typ	Max	Unit
AUDIO PERFORMANCE					
LINEIN Input Level		-	0.57	-	V_{RMS}
LINEIN Input Impedance (at 1.02 kHz)		-	29	-	$k\Omega$
LINEIN -> ADC -> I²S OUT					
SNR (-60 dB input)		-	85	-	dB
THD+N		-	-70	-	dB
Frequency Response		-	± 0.11	-	dB
Channel Separation		-	79	-	dB
LINEIN -> HEADPHONE_LINEOUT (CODEC BYPASS MODE)					
SNR (-60 dB input)		-	98	-	dB
THD+N (10 $k\Omega$ load)		-	-87	-	dB
THD+N (16 Ω load)		-	-87	-	dB
Frequency Response		-	± 0.05	-	dB
Channel Separation (at 1.0 kHz)		-	82	-	dB
I²S IN -> DAC -> LINEOUT					
Output Level		-	0.6	-	V_{RMS}
SNR (-60 dB input)		-	95	-	dB
THD+N		-	-85	-	dB
Frequency Response		-	± 0.12	-	dB
I²S IN -> DAC -> HEADPHONE OUT - 16 Ω LOAD					
Output Power		-	17	-	mW
SNR (-60 dB input)		-	100	-	dB
THD+N		-	-80	-	dB
Frequency Response		-	± 0.12	-	dB
I²S IN -> DAC -> HEADPHONE OUT - 32 Ω LOAD					
Output Power		-	10	-	mW
SNR (-60 dB input)		-	95	-	dB
THD+N		-	-86	-	dB
Frequency Response		-	± 0.11	-	dB
I²S IN -> DAC -> HEADPHONE OUT - 10 $k\Omega$ LOAD					
SNR (-60 dB input)		-	96	-	dB
THD+N		-	-84	-	dB
Frequency Response		-	± 0.11	-	dB
PSRR (200 mVp-p at 1.0 kHz on VDDA)		-	85	-	dB

Table 6. Audio Performance 2

Test Conditions unless otherwise noted: $V_{DDIO} = 3.3\text{ V}$, $V_{DDA} = 3.3\text{ V}$, $T_A = 25^\circ\text{C}$, Slave mode, $f_S = 48\text{ kHz}$, $MCLK = 256 f_S$, 24 bit input. ADC tests were conducted with $BIAS_CTRL = -37.5\%$, all other tests conducted with $BIAS_CTRL = -50\%$.

Characteristic	Symbol	Min	Typ	Max	Unit
AUDIO PERFORMANCE					
LINEIN Input Level		-	1.0	-	V_{RMS}
LINEIN Input Impedance (at 1.02 kHz)		-	29	-	$k\Omega$
LINEIN -> ADC -> I²S OUT					
SNR (-60 dB input)		-	90	-	dB
THD+N		-	-72	-	dB
Frequency Response		-	± 0.11	-	dB
Channel Separation		-	80	-	dB
LINEIN -> HEADPHONE_LINEOUT (CODEC BYPASS MODE)					
SNR (-60 dB input)		-	102	-	dB
THD+N (10 $k\Omega$ load)		-	-89	-	dB
THD+N (16 Ω load)		-	-87	-	dB
Frequency Response		-	± 0.05	-	dB
Channel Separation (at 1.0 kHz)		-	81	-	dB
I²S IN -> DAC -> LINEOUT					
Output Level		-	1.0	-	V_{RMS}
SNR (-60 dB input)		-	100	-	dB
THD+N		-	-85	-	dB
Frequency Response		-	± 0.12	-	dB
I²S IN -> DAC -> HEADPHONE OUT - 16 Ω LOAD					
Output Power		-	58	-	mW
SNR (-60 dB input)		-	98	-	dB
THD+N		-	-86	-	dB
Frequency Response		-	± 0.12	-	dB
I²S IN -> DAC -> HEADPHONE OUT - 32 Ω LOAD					
Output Power		-	30	-	mW
SNR (-60 dB input)		-	100	-	dB
THD+N		-	-88	-	dB
Frequency Response		-	± 0.11	-	dB
I²S IN -> DAC -> HEADPHONE OUT - 10 $k\Omega$ LOAD					
SNR (-60 dB input)		-	97	-	dB
THD+N		-	-85	-	dB
Frequency Response		-	± 0.11	-	dB
PSRR (200 mVp-p at 1.0 kHz on VDDA)		-	89	-	dB

DYNAMIC ELECTRICAL CHARACTERISTICS

Table 7. Dynamic Electrical Characteristics

Characteristic	Symbol	Min	Typ	Max	Unit
----------------	--------	-----	-----	-----	------

POWER UP TIMING

Time from all supplies powered up and SYS_MCLK present to initial communication. See Figure 4 .	t_{PC}	1.0 ⁽²⁾	-	-	μ s
---	----------	--------------------	---	---	---------

I²C BUS TIMING⁽³⁾ See [Figure 5](#).

I ² C Serial Clock Frequency	f_{I2C_CLK}	-	-	400	kHz
I ² C Start condition hold time	t_{I2CSH}	150	-	-	ns
I ² C Stop condition setup time	$t_{I2CSTSU}$	150	-	-	ns
I ² C Data input setup time to rising edge of CTRL_CLK	t_{I2CDSU}	125	-	-	ns
I ² C Data input hold time from falling edge of CTRL_CLK (receiving data)	t_{I2CDH}	5.0	-	-	ns
I ² C Data input hold time from falling edge of CTRL_CLK (driving data)	t_{I2CDH}	360	-	-	ns
I ² C CTRL_CLK low time	$t_{I2CCLKL}$	300	-	-	ns
I ² C CTRL_CLK high time	$t_{I2CCLKH}$	100	-	-	ns

SPI BUS TIMING⁽⁴⁾ See [Figure 6](#).

SPI Serial Clock Frequency	f_{SPI_CLK}	-	-	TBD	MHz
SPI data input setup time	t_{SPIDSU}	10	-	-	ns
SPI data input hold time	t_{SPIDH}	10	-	-	ns
SPI CTRL_CLK low time	$t_{SPICLK L}$	TBD	-	-	ns
SPI CTRL_CLK high time	$t_{SPICLK H}$	TBD	-	-	ns
SPI clock to chip select	t_{CCS}	60	-	-	ns
SPI chip select to clock	t_{CSC}	20	-	-	ns
SPI chip select low	t_{CSL}	20	-	-	ns
SPI chip select high	t_{CSH}	20	-	-	ns

SPECIFICATIONS AND TIMING FOR THE I²S PORT⁽⁵⁾ See [Figure 7](#).

Frequency of I ² S_LRCLK	f_{LRCLK}	8.0	-	96	kHz
Frequency of I ² S_SCLK	f_{SCLK}	-	32* f_{LRCLK} 64* f_{LRCLK}	-	kHz
I ² S delay	t_{I2S_D}	-	-	10	ns
I ² S setup time	t_{I2S_S}	10	-	-	ns
I ² S hold time	t_{I2S_H}	10	-	-	ns

Notes

1. The SGTL5000 has an internal reset that is deasserted 8 SYS_MCLK cycles after all power rails have been brought up. After this time, communication can start.
2. 1.0 μ s represents 8 SYS_MCLK cycles at the minimum 8.0 MHz SYS_MCLK.
3. This section provides timing for the SGTL5000 while in I²C mode (CTRL_MODE = 0).
4. This section provides timing for the SGTL5000 while in SPI mode (CTRL_MODE = 1)
5. The following are the specifications and timing for I²S port. The timing applies to all formats.

TIMING DIAGRAMS

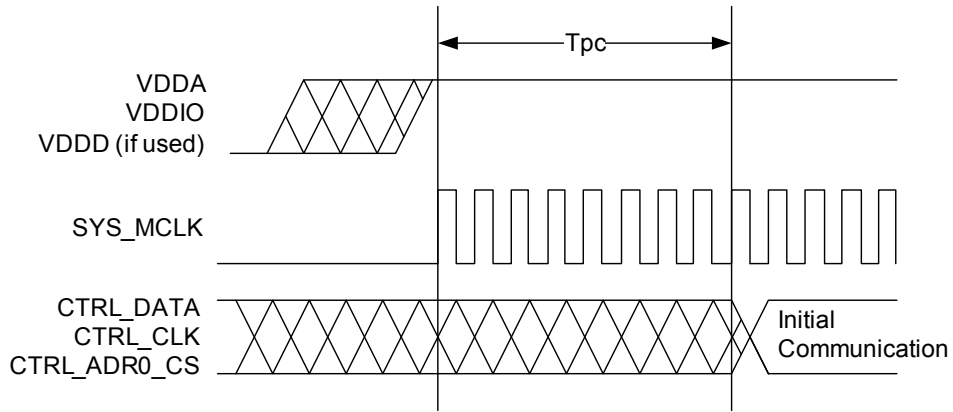


Figure 4. Power Up Timing

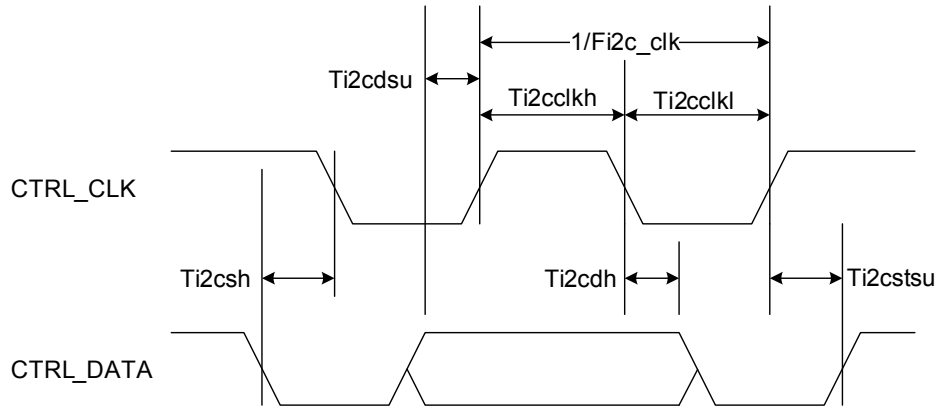


Figure 5. I²C Timing (CTRL_MODE == 0)

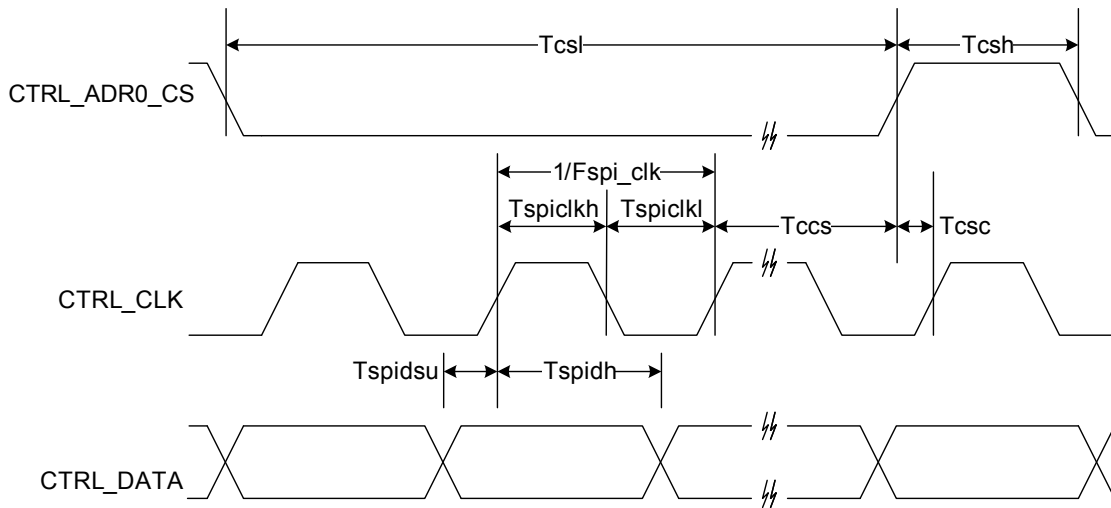


Figure 6. SPI Timing

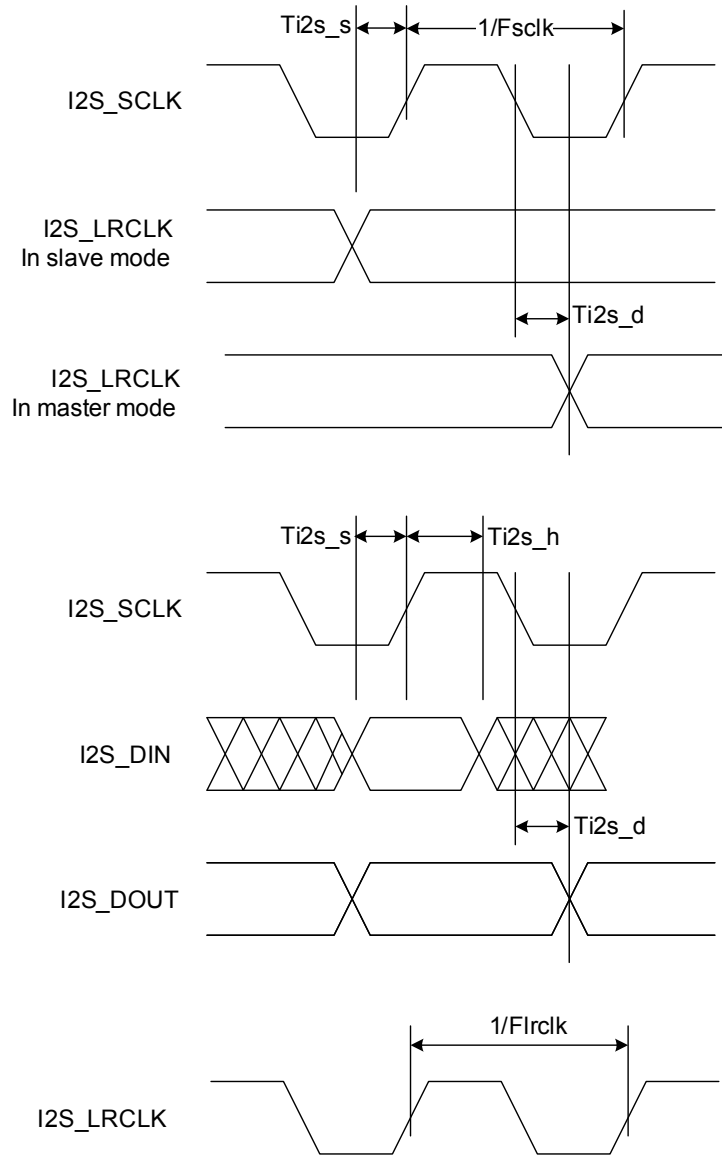


Figure 7. I²S Interface Timing

FUNCTIONAL DESCRIPTION

INTRODUCTION

The SGTL5000 is a low power stereo codec with integrated headphone amplifier. It is designed to provide a complete audio solution for portable products needing LINEIN, mic-in, LINEOUT, headphone-out, and digital I/O. Deriving its architecture from best in class Freescale integrated products that are currently on the market, the SGTL5000 is able to achieve ultra low power with very high performance and functionality, all in one of the smallest footprints available. Target markets include portable media players, GPS units and smart phones. Features such as capless headphone design and USB clocking mode (12 MHz SYS_MCLK input) help lower overall system cost.

In summary, the SGTL5000 accepts the following inputs:

- Line input
- Microphone input, with mic bias
- Digital I²S input

In addition, the SGTL5000 supports the following outputs:

- Line output
- Headphone output
- Digital I²S output

The following digital audio processing is included to allow for product differentiation:

- Digital mixer
- Freescale Surround
- Freescale Bass Enhancement
- Tone Control, parametric equalizer, or graphic equalizer

The SGTL5000 can accept an external standard master clock at a multiple of the sampling frequency (i.e. 256*Fs, 385*Fs, 512*Fs). In addition it can take non-standard frequencies and use the internal PLL to derive the audio clocks. The device supports 8.0 kHz, 11.025 kHz, 12 kHz, 16 kHz, 22.05 kHz, 24 kHz, 32 kHz, 44.1kHz, 48 kHz, 96 kHz sampling frequencies.

FUNCTIONAL INTERNAL BLOCK DESCRIPTION

SYSTEM BLOCK DIAGRAM W/ SIGNAL FLOW AND GAIN MAP

Figure 8 shows a block diagram that highlights the signal flow and gain map for the SGTL5000.

To guarantee against clipping, it is important that the gain in a signal path in addition to the signal level does not exceed 0 dB at any point.

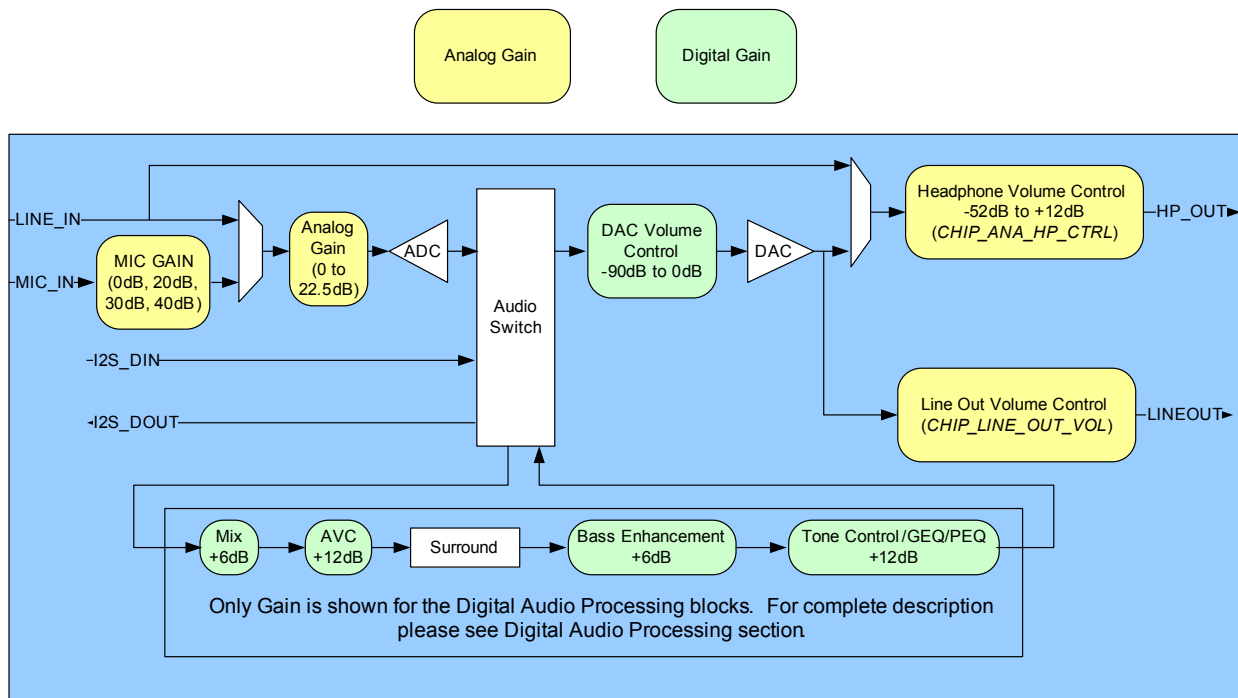


Figure 8. System Block Diagram, Signal Flow and Gain

POWER

The SGTL5000 has a flexible power architecture to allow the system designer to minimize power consumption and maximize performance at the lowest cost.

External Power Supplies

The SGTL5000 requires 2 external power supplies: VDDA and VDDIO. An optional third external power supply VDDD may be provided externally to achieve lower power. This external VDDD power supply is required for new designs. A description for the different power supplies is as follows:

- VDDA: This external power supply is used for the internal analog circuitry including ADC, DAC, LINE inputs, MIC inputs, headphone outputs and reference voltages. VDDA supply ranges are shown in [Maximum Ratings](#). A decoupling cap should be used on VDDA, as shown in the typical application diagrams in [Typical Applications](#).
- VDDIO: This external power supply controls the digital I/O levels as well as the output level of LINE outputs. VDDIO supply ranges are shown in [Maximum Ratings](#). A decoupling cap should be used on VDDIO as shown in the typical application diagrams in [Typical Applications](#).

Note that if VDDA and VDDIO are derived from the same voltage, a single decoupling capacitor can be used to minimize cost. This capacitor should be placed closest to VDDA.

- VDDD: This is a digital power supply that is used for internal digital circuitry. An external VDDD power supply is required for new designs. For lowest power, this supply can be driven at the lowest specified voltage given in [Maximum Ratings](#). If an external supply is used for VDDD, a decoupling capacitor is recommended, as shown in the typical applications diagram. VDDD supply ranges are shown in [Maximum Ratings](#) when externally driven. If the system drives VDDD externally, an efficient switching supply should be used or no system power savings is realized.

Internal Power Supplies

The SGTL5000 has two exposed internal power supplies, VAG and charge pump.

- VAG is the internal voltage reference for the ADC and DAC. After startup the voltage of VAG should be set to VDDA/2 by writing `CHIP_REF_CTRL->VAG_VAL`. Refer to programming [Chip Powerup and Supply Configurations](#). The VAG pin should have an external filter capacitor as shown in the typical application diagram.
- Chargepump: This power supply is used for internal analog switches. If VDDA or VDDIO is greater than 2.7 V, this supply is automatically driven from the highest of

VDDIO and VDDA. If both VDDIO and VDDA are less than 3.1 V, then the user should turn on the charge pump function to create the charge pump rail from VDDIO by writing `CHIP_ANA_POWER->`

- `VDDC_CHRGPMP_POWERUP` register. Refer to programming [Chip Powerup and Supply Configurations](#).
- LINE_OUT_VAG is the line output voltage reference. It should be set to VDDIO/2 by writing `CHIP_LINE_OUT_CTRL->LO_VAGCNTRL`.

Power Schemes

The SGTL5000 supports a flexible architecture and allows the system designer to minimize power or maximize BOM savings.

- For maximum cost savings, all supplies can be run at the same voltage.
- Alternatively for minimum power, the analog and digital supplies can be run at minimum voltage while driving the digital I/O voltage at the voltage needed by the system.
- To save power, independent supplies are provided for line outputs and headphone outputs. This allows for 1VRMS line outputs while using minimal headphone power.
- For best power, VDDA should be run at the lowest possible voltage required for the maximum headphone output level. For highest performance, VDDA should be run at 3.3 V. For most applications a lower voltage can be used for the best performance/power combination.

RESET

The SGTL5000 has an internal reset that is deasserted 8 SYS_MCLKs after all power rails have been brought up. After this time communication can start. See [Dynamic Electrical Characteristics](#).

CLOCKING

Clocking for the SGTL5000 is provided by a system master clock input (SYS_MCLK). SYS_MCLK should be synchronous to the sampling rate (Fs) of the I²S port. Alternatively any clock between 8.0 and 27 MHz can be provided on SYS_MCLK and the SGTL5000 can use an internal PLL to derive all internal and I²S clocks. This allows the system to use an available clock such as 12 MHz (common USB clock) for SYS_MCLK to reduce overall system costs.

Synchronous SYS_MCLK input

The SGTL5000 supports various combinations of SYS_MCLK frequency and sampling frequency as shown in Table 8. Using a synchronous SYS_MCLK allows for lower power as the internal PLL is not used.

Table 8. Synchronous MCLK Rates and Sampling Frequencies

CLOCK	SUPPORTED RATES	UNITS
System Master Clock (SYS_MCLK)	256, 384, 512	Fs
Sampling Frequency (Fs)	8, 11.025, 12, 16, 22.05, 24, 32, 44.1, 48, 96 ⁽⁶⁾	kHz

Notes

6. For a sampling frequency of 96 kHz, only 256 Fs SYS_MCLK is supported

Using the PLL - Asynchronous SYS_MCLK input

An integrated PLL is provided in the SGTL5000 that allows any clock from 8.0 to 27 MHz to be connected to SYS_MCLK. This can help save system costs, as a clock available elsewhere in the system can be used to derive all audio clocks using the internal PLL. In this case, the clock input to SYS_MCLK can be asynchronous with the sampling frequency needed in the system. For example, a 12 MHz

clock from the system processor could be used as the clock input to the SGTL5000.

Three register fields need to be configured to properly use the PLL. They are *CHIP_PLL_CTRL->INT_DIVISOR*, *CHIP_PLL_CTRL->FRAC_DIVISOR* and *CHIP_CLK_TOP_CTRL->INPUT_FREQ_DIV2*. [Figure 9](#) shows a flowchart that shows how to determine the values to program in the register fields.

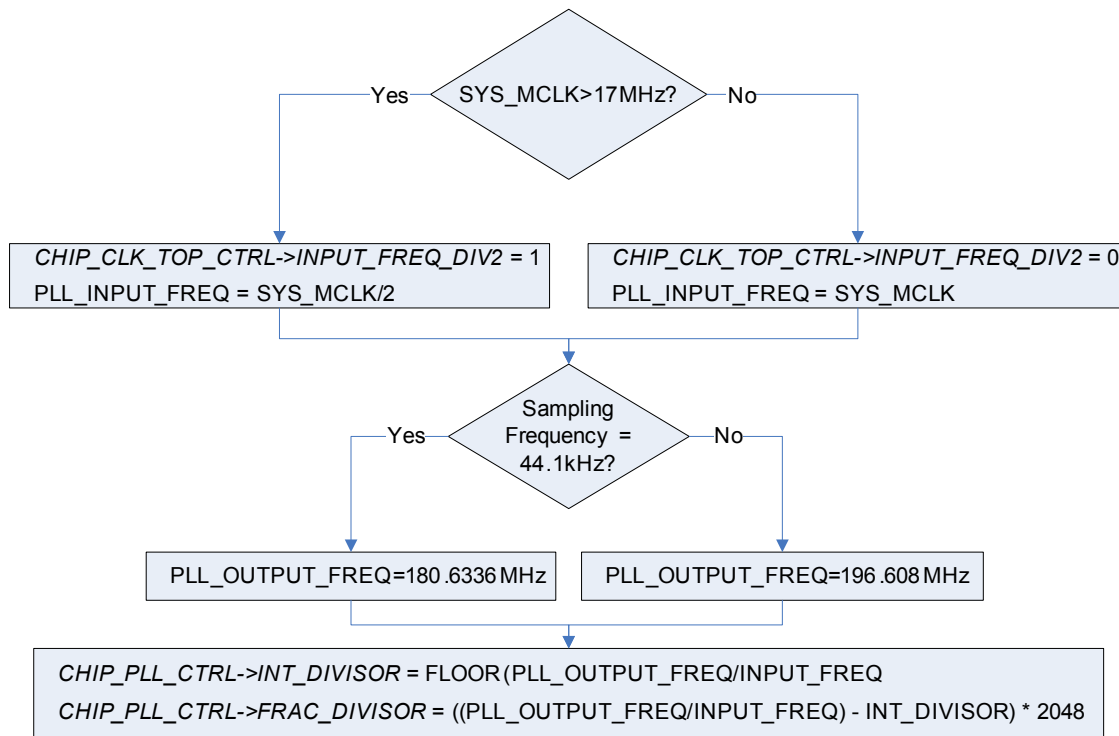


Figure 9. PLL Programming Flowchart

For example, when a 12 MHz digital signal is placed on MCLK, for a 48 kHz frame clock

CHIP_CLK_TOP_CTRL->INPUT_FREQ_DIV2 = 0 //
 SYS_MCLK < 17 MHz

CHIP_PLL_CTRL->INT_DIVISOR = FLOOR
 (196.608 MHz/12 MHz) = 16 (decimal)

CHIP_PLL_CTRL->FRAC_DIVISOR = ((196.608 MHz/
 12 MHz) - 16) * 2048 = 786 (decimal)

Refer to PLL programming [PLL Configuration](#).

AUDIO SWITCH (SOURCE SELECT SWITCH)

The audio switch is the central routing block that controls the signal flow from input to output. Any single input can be routed to any single or multiple outputs.

Any signal can be routed to the Digital Audio Processor (DAP). The output of the DAP (an input to the audio switch) can in turn be routed to any physical output. The output of the DAP can not be routed into itself. Refer to [Digital Audio Processing](#), for DAP information and configuration.

It should be noted that the analog bypass from Line input to headphone output does not go through the audio switch.

To configure a route, the *CHIP_SSS_CTRL* register is used. Each output from the source select switch has its own register field that is used to select what input is routed to that output.

For example, to route the I²S digital input through the DAP and then out to the DAC (headphone) outputs write *SSS_CTRL->DAP_SELECT* to 0x1 (selects I2S_IN) and *SSS_CTRL->DAC_SELECT* to 0x3 (selects DAP output).

ANALOG INPUT BLOCK

The analog input block contains a stereo line input and a microphone input with mic bias. Either input can be routed to the ADC. The line input can also be configured to bypass the CODEC and be routed directly to the headphone output.

Line Inputs

One stereo line input is provided for connection to line sources such as an FM radio or MP3 input.

The source should be connected to the left and right line inputs through series coupling capacitors. The suggested value is shown in the typical application diagram in [Typical Applications](#).

As detailed in [ADC](#), the line input can be routed to the ADC.

The line input can also be routed to the headphone output by writing *CHIP_ANA_CTRL->SELECT_HP*. This selection bypasses the ADC and audio switch and routes the line input directly to the headphone output to enable a very low power pass through.

Microphone Input

One mono microphone input is provided for uses such as voice recording.

Mic bias is provided. The mic bias is programmed with the *CHIP_MIC_CTRL->BIAS_VOLT* register field. Values from 1.25 V to 3.00 V are supported in 0.25 V steps. Mic bias should be set less than 200 mV from VDDA, e.g. with VDDA at 1.70 V, Mic bias should be set no greater than 1.50 V.

The microphone should be connected through a series coupling capacitor. The suggested value is shown in the typical connection diagram.

The microphone has programmable gain through the *CHIP_MIC_CTRL->GAIN* register field. Values of 0 dB, +20 dB, +30 dB and +40 dB are available.

ADC

The SGTL5000 contains an ADC, which takes its input from either the line input or a microphone. The register field *CHIP_ANA_CTRL->SELECT_ADC* controls this selection. The output of the ADC feeds the audio switch.

The ADC has its own analog gain stage that provides 0 to +22.5 dB of gain in 1.5 dB steps. A bit is available that shifts this range down by 6.0 dB to effectively provide -6.0 dB to

+16.5 dB of gain. The ADC gain is controlled in the *CHIP_ANA_ADC_CTRL* register.

The ADC has an available zero cross detect (ZCD) that prevents any volume change until a zero-volt crossing of the audio signal is detected. This helps in eliminating pop or other audio anomalies. If the ADC is to be used, the chip reference bias current should not be set to -50% when in 3.0 V mode.

ANALOG OUTPUTS

The SGTL5000 contains a single stereo DAC that can be used to drive a headphone output and a line output. The DAC receives its input from the audio switch. The headphone output and the line output can be driven at the same time from the DAC.

The headphone output can also be driven directly by the line input bypassing the ADC and DAC for a very low power mode of operation.

The headphone output is powered by VDDA while the line output is powered by VDDIO. This allows the headphone output to be run at the lowest possible voltage while the line output can still meet line output level requirements.

DAC

The DAC output is routed to the headphone and the dedicated line output.

The DAC output has a digital volume control from -90 dB to 0 dB in ~0.5 dB step sizes. This volume is shared among headphone output and line output. The register *CHIP_DAC_VOL* controls the DAC volume.

Headphone

Stereo headphone outputs are provided which can be used to drive a headphone load or a line level output. The headphone output has its own independent analog volume control with a volume range of -52 dB to +12 dB in 0.5 dB step sizes. This volume control can be used in addition to the DAC volume control. For best performance the DAC volume control should be left at 0 dB until the headphone is brought to its lowest setting of -52 dB. The register *CHIP_ANA_HP_CTRL* is used to control the headphone volume.

The headphone output has an independent mute that is controlled by the register field *CHIP_ANA_CTRL->MUTE_HP*.

The line input is routed to the headphone output by writing *CHIP_ANA_CTRL->SELECT_HP*. This selection bypasses the ADC and audio switch and routes the line input directly to the headphone output to enable a very low power pass through. When the line input is routed to the headphone output, only the headphone analog volume and mute affects the headphone output.

The headphone has an available zero cross detect (ZCD) which, as previously described, prevents any volume change until a zero-volt crossing of the audio signal is detected. This helps in eliminating pop or other audio anomalies.

Line Outputs

The SGTL5000 contains a stereo line output. The line output has a dedicated gain stage that can be used to adjust the output level. The *CHIP_LINE_OUT_VOL* controls the line level output gain.

The line outputs also have a dedicated mute that is controlled by the register field *CHIP_ANA_CTRL->MUTE_LO*.

The line out volume is intended as maximum output level adjustment. It is intended to be used to set the maximum output swing. It does not have the range of a typical volume control and does not have a zero cross detect (ZCD). However the DAC digital volume could be used if volume control is desired.

FUNCTIONAL DEVICE OPERATION

POWER CONSUMPTION

Table 9. Power Consumption: $V_{DDA}=1.8\text{ V}$, $V_{DDIO}=1.8\text{ V}$

MODE	CURRENT CONSUMPTION (MA)			POWER (MW)
	V_{DDD}	V_{DDA}	V_{DDIO}	
Playback ($I^2S \rightarrow DAC \rightarrow$ Headphone)	-	2.54	0.9	6.19
Playback with DAP ($I^2S \rightarrow DAP \rightarrow DAC \rightarrow$ Headphone)	-	3.59	0.9	8.08
Playback/Record ($I^2S \rightarrow DAC \rightarrow$ Headphone, $ADC \rightarrow I^2S$)	-	3.71	1.10	8.67
Record ($ADC \rightarrow I^2S$)	-	2.29	1.06	6.02
Analog playback, CODEC bypassed (LINEIN \rightarrow HP)	-	1.48	0.89	4.27
Standby, all analog power off	-	0.019	0.002	0.038
Playback with PLL ($I^2S \rightarrow DAC \rightarrow$ HP)	-	3.01	2.17	9.31

V_{DDD} derived internally at 1.2 V, slave mode except for PLL case, 32 Ω load on HP, Conditions: -100 dBFs signal

input, slave mode unless otherwise noted, paths tested as indicated, unused paths turned off.

Table 10. Power Consumption: $V_{DDA}=3.3\text{ V}$, $V_{DDIO}=3.3\text{ V}$

MODE	CURRENT CONSUMPTION (MA)			POWER(MW)
	V_{DDD}	V_{DDA}	V_{DDIO}	
Playback ($I^2S \rightarrow DAC \rightarrow$ Headphone)	-	3.45	0.067	11.60
Playback with DAP ($I^2S \rightarrow DAP \rightarrow DAC \rightarrow$ Headphone)	-	4.49	0.067	15.03
Playback/Record ($I^2S \rightarrow DAC \rightarrow$ Headphone, $ADC \rightarrow I^2S$)	-	4.67	0.343	16.53
Record ($ADC \rightarrow I^2S$)	-	2.90	0.296	10.56
Analog playback, CODEC bypassed (LINEIN \rightarrow HP)	-	1.91	0.039	6.43
Standby, all analog power off	-	0.04	0.002	0.139
Playback with PLL ($I^2S \rightarrow DAC \rightarrow$ HP)	-	3.92	2.76	22.05

DIGITAL INPUT & OUTPUT

One I^2S (Digital Audio) Port is provided which supports the following formats: I^2S , Left Justified, Right Justified, and PCM mode.

I^2S , Left Justified, and Right Justified Modes

I^2S , Left Justified and Right Justified modes are stereo interface formats. The $I2S_SCLK$ frequency, $I2S_SCLK$ polarity, $I2S_DIN/DOUT$ data length, and $I2S_LRCLK$ polarity can all be changed through the $CHIP_I2S_CTRL$ register. For $I2S$, Left Justified and Right Justified formats,

the left subframe should always be presented first regardless of the *CHIP_I2S_CTRL->LRPOL* setting.

The I2S_LRCLK and I2S_SCLK can be programmed as master (driven to an external target) or slave (driven from an external source). When the clocks are in slave mode, they must be synchronous to SYS_MCLK. For this reason the SGT5000 can only operate in synchronous mode (see [Clocking](#)) while in I²S slave mode.

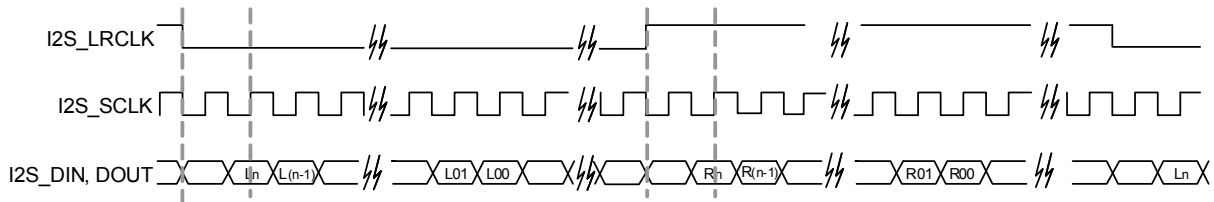
In master mode, the clocks are synchronous to SYS_MCLK or the output of the PLL when the part is running in asynchronous mode.

[Figure 10](#) shows functional examples of different common digital interface formats and their associated register settings.

I2S Format (n = bit length)

CHIP_I2S0_CTRL field values:

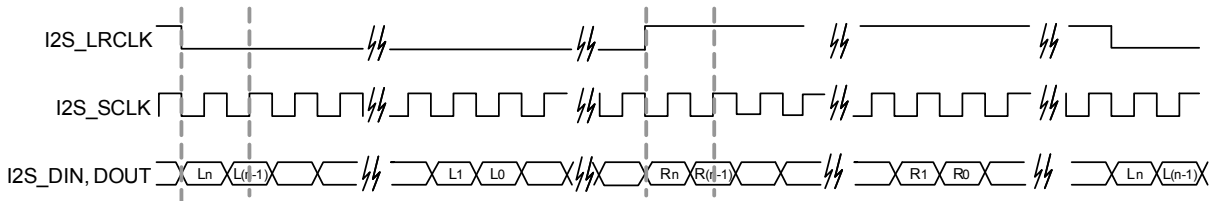
(SCLKFREQ = 0; SCLK_INV = 0; DLEN = 1; I2S_MODE = 0; LRALIGN = 0; LRPOL = 0)



Left Justified Format (n = bit length)

CHIP_I2S0_CTRL field values:

(SCLKFREQ = 0; SCLK_INV = 0; DLEN = 1; I2S_MODE = 0; LRALIGN = 1; LRPOL = 0)



Right Justified Format (n = bit length)

CHIP_I2S0_CTRL field values:

SCLKFREQ = 0; SCLK_INV = 0; DLEN = 1; I2S_MODE = 1; LRALIGN = 1; LRPOL = 0)

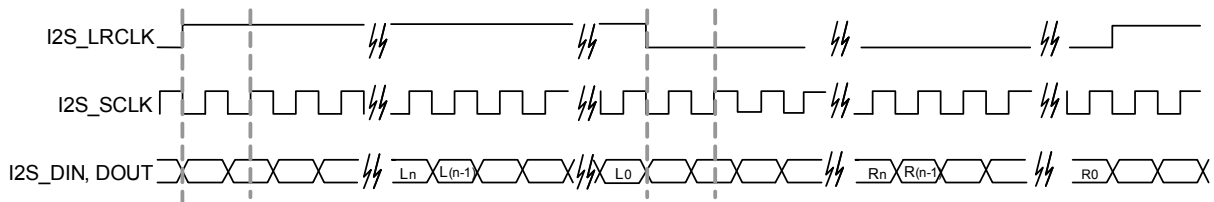


Figure 10. I²S Port Supported Formats

PCM Mode

The I²S port can also be configured in PCM mode (also known as DSP mode). This mode is provided to allow connectivity to external devices such as Bluetooth modules. PCM mode differs from other interface formats presented in [I2S, Left Justified, and Right Justified Modes](#), in that the frame clock (I2S_LRCLK) does not represent a different channel when high or low. Instead, it is a bit-wide pulse that marks the start of a frame. Data is aligned such that the left channel data is immediately followed by right channel data. Zero padding is filled in for the remaining bits. The data and

frame clock may be configured to clock in on the rising or falling edge of Bit Clock.

PCM Format A is a format in which the data word begins one SCLK bit following the I2S_LRCLK transition, as in I²S Mode. PCM Format B is a format in which the data word begins after the I2S_LRCLK transition, as in Left Justified.

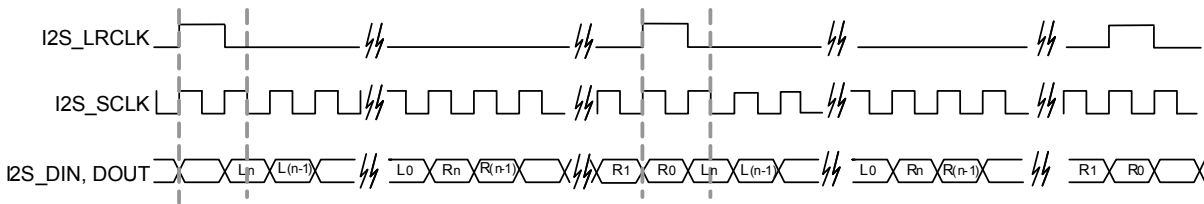
In slave mode, the pulse width of the I2S_LRCLK does not matter. The pulse can range from one cycle high to all but one cycle high. In master mode, it is driven one cycle high.

[Figures 11](#) shows a functional drawing of the different formats in master mode.

PCM Format A

CHIP_I2S0_CTRL = 0x01F4

(SCLKFREQ = 1; MS = 1; SCLK_INV = 1; DLEN = 3; I2S_MODE = 2; LRALIGN = 0)



PCM Format B

CHIP_I2S0_CTRL = 0x01F6

(SCLKFREQ = 1; MS = 1; SCLK_INV = 1; DLEN = 3; I2S_MODE = 2; LRALIGN = 1)

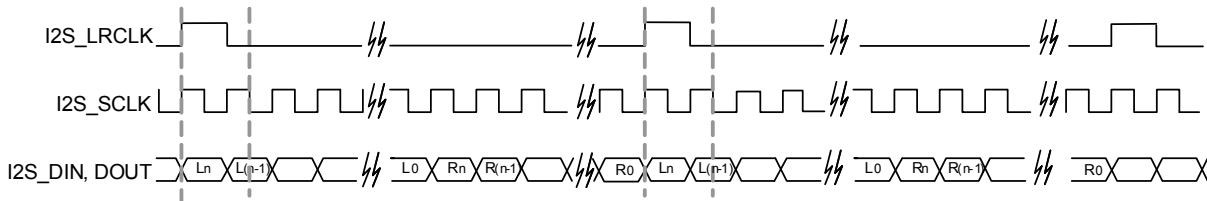


Figure 11. PCM Formats

DIGITAL AUDIO PROCESSING

The SGT15000 contains a digital audio processing block (DAP) connected to the source select switch. The digitized signal from the source select switch can be routed into the DAP block for audio processing. The DAP has the following 5 sub blocks:

- Dual Input Mixer

- Freescale Surround
- Freescale Bass Enhancement
- 7-Band Parameter EQ / 5-Band Graphic EQ / Tone Control (only one can be used at a time)
- Automatic Volume Control (AVC)

The block diagram in [Figure 12](#) shows the sequence in which the signal passes through these blocks.

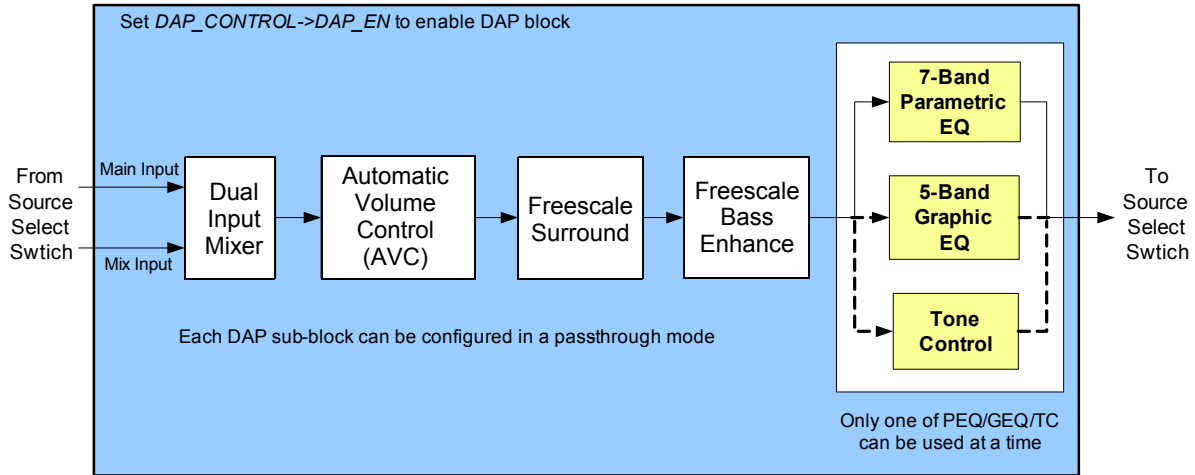


Figure 12. Digital Audio Processing Block Diagram

When the DAP block is added in the route, it must be enabled separately to get audio through. It is recommended to mute the outputs before enabling/disabling the DAP block to avoid any pops or clicks due to discontinuities in the output.

Refer to [Digital Audio Processor Configuration](#) for programming examples on how to enable/disable the DAP block.

Each sub-block of the DAP can be individually disabled if its processing is not required. The following sections describe the DAP sub-blocks and how to configure them.

Dual Input Mixer

The dual input digital mixer allows for two incoming streams from the source select switch as shown in [DAP - Dual Input Mixer](#).

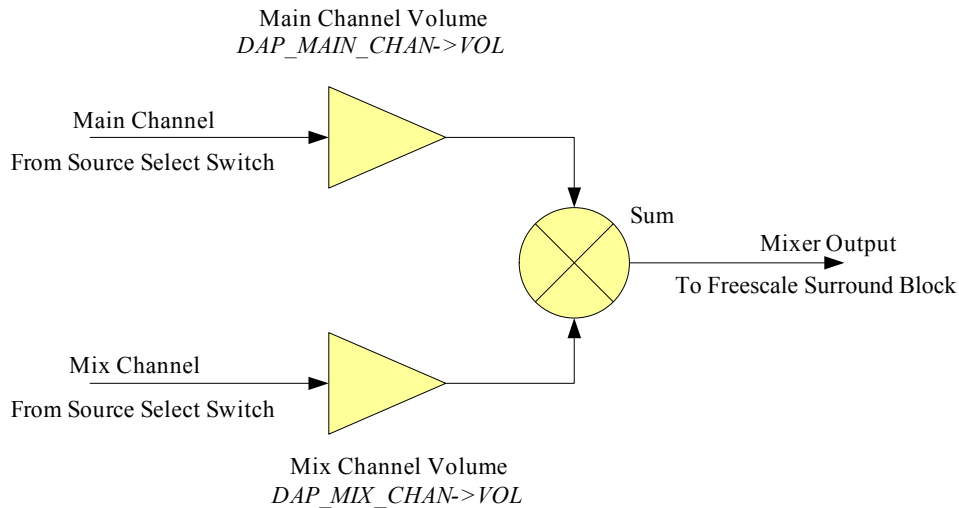


Figure 13. DAP - Dual Input Mixer

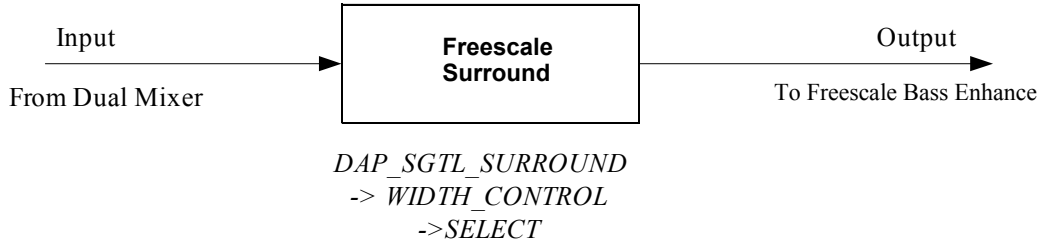
The Dual Input Mixer can be enabled or configured in a pass-through mode (Main channel is passed through without any mixing). When enabled, the volume of the main and mix channels can be independently controlled before they are mixed together.

The volume range allowed on each channel is 0% to 200% of the incoming signal level. The default is 100% (same as input signal level) volume on the main input and 0% (muted) on the mix input.

Refer to [Dual Input Mixer](#) for programming examples on how to enable/disable the mixer and also to set the main and mix channel volume.

Freescale Surround

Freescale Surround is a royalty free virtual surround algorithm for stereo or mono inputs. It widens and deepens the sound stage of the music input.



The Freescale Surround can be enabled or configured in pass-through mode (input is passed through without any processing). When enabling the Surround, mono or stereo input type must be selected based on the input signal. Surround width may be adjusted for the size of the sound stage.

Refer to [Freescale Surround](#) and [Freescale Surround On/Off](#) for a programming example on how to configure Surround width and how to enable/disable Surround.

Freescale Bass Enhance

Freescale Bass Enhance is a royalty-free algorithm that enhances natural bass response of the audio. Bass Enhance extracts bass content from right and left channels, adds bass and mixes this back up with the original signal. An optional complementary high pass filter is provided after the mixer.

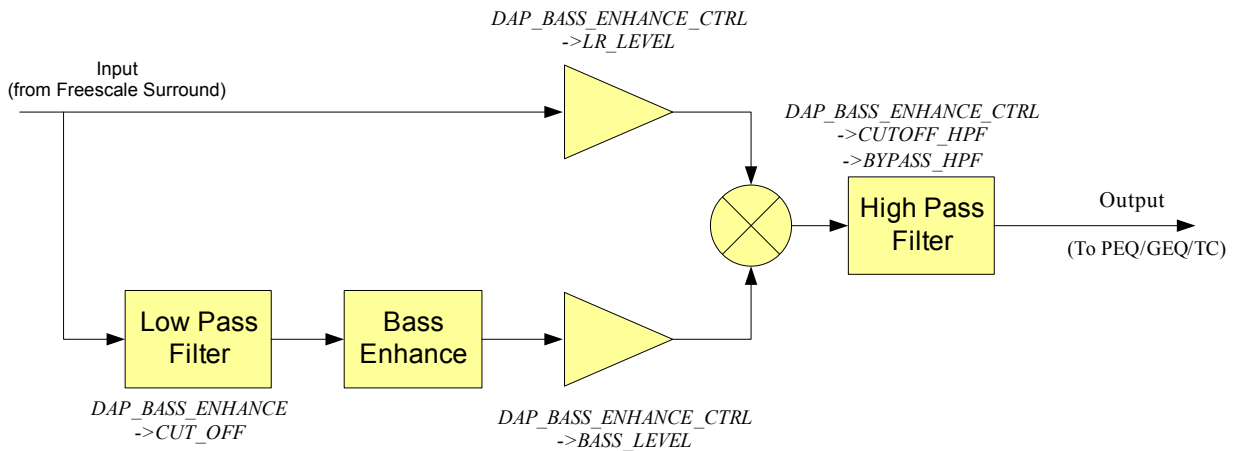


Figure 14. DAP- Freescale Bass Enhance

The Freescale Bass Enhance can be enabled or configured in pass-through mode (input is passed through without any processing).

The cutoff frequency of the low-pass filter (LPF) can be selected based on the speakers frequency response. The cutoff frequency of the low-pass and high-pass filters are selectable between 80 to 225 Hz. Also, the input signal and bass enhanced signal can be individually adjusted for level before the two signals are mixed.

Refer to [Freescale Bass Enhance](#) and [Bass Enhance On/Off](#) for a programming example on how to configure Bass Enhance and how to enable/disable this feature.

7-Band Parametric EQ / 5-Band Graphic EQ / Tone Control

One 7-band parametric equalizer (PEQ), one 5-band graphic equalizer (GEQ), and Tone Control (Bass and Treble

control) blocks are implemented as mutually exclusive blocks. Only one block can be used at a given time.

Refer to [7-Band Parametric EQ / 5-Band Graphic EQ / Tone Control](#) for a programming example that shows how to select the desired EQ mode.

7-Band Parametric EQ

The 7-band PEQ allows the designer to compensate for speaker response and to provide the ability to filter out resonant frequencies caused by the physical system design. The system designer can create custom EQ presets such as Rock, Speech, Classical, etc, which allows users the flexibility to customize their audio.

The 7-band PEQ is implemented using 7 cascaded second order IIR filters. All filters are implemented using programmable bi-quad filters. [Figure 15](#) shows the transfer function and Direct Form 1 of the five coefficient biquadratic filter.

$$H(z) = \frac{b_0 + b_1z^{-1} + b_2z^{-2}}{1 + a_1z^{-1} + a_2z^{-2}}$$

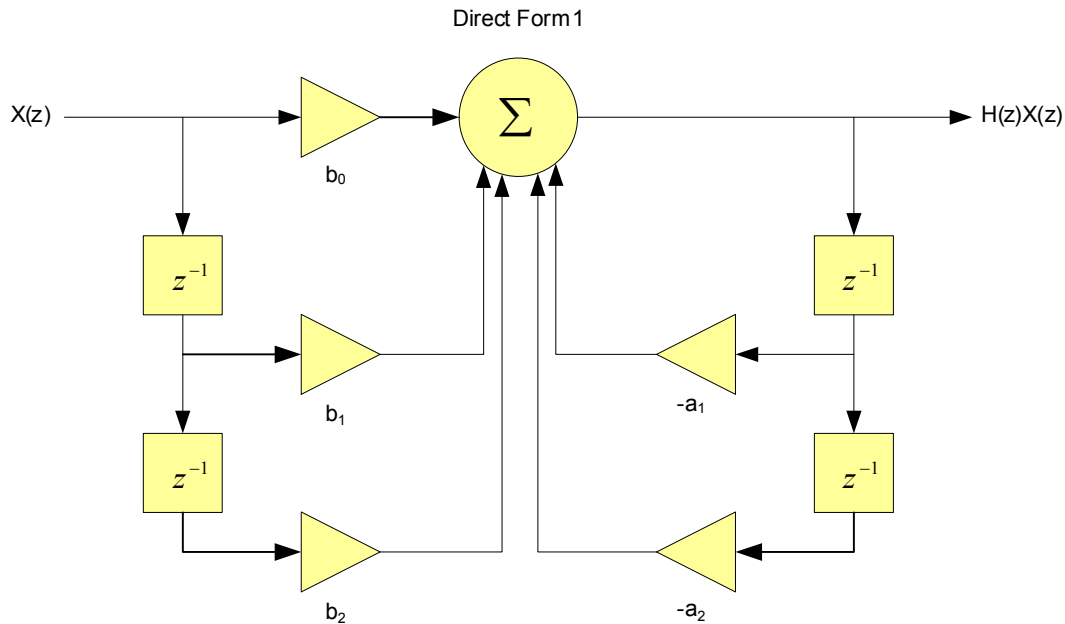


Figure 15. 5-Coefficient Biquad Filter and Transfer Function

If a band is enabled but is not being used (flat response), then a value of 0.5 should be put in b_0 and all other coefficients should be set to 0.0. Note that the coefficients must be converted to hex values before writing to the registers. By default, all the filters are loaded with coefficients to give a flat response.

In order to create EQ presets such as Rock, Speech, Classical, etc, the coefficients must be calculated, converted to 20-bit hex values and written to the registers. Note that coefficients are sample-rate dependent and separate coefficients must be generated for different sample rates. Please contact Freescale for assistance with generating the coefficients.

Refer to [7-Band PEQ Preset Selection](#) for a programming example that shows how load the filter coefficients when the end-user changes the preset.

PEQ can be disabled (pass-through mode) by writing 0 to DAP_AUDIO_EQ->EN bits.

5-Band Graphic EQ

The 5-band graphic equalizer is implemented using 5 parallel second order IIR filters. All filters are implemented using biquad filters whose coefficients are programmed to set the bands at a specific frequency. The GEQ bands are fixed

at 115 Hz, 330 Hz, 990 Hz, 3000 Hz, and 9900 Hz. The volume on each band is independently adjustable in the range of +12 dB to -11.75 dB in 0.25 dB steps.

Refer to [5-Band GEQ Volume Change](#) for a programming example that shows how to change the GEQ volume.

Tone Control

Tone control comprises treble and bass controls. The tone control is implemented as one 2nd order low pass filter (bass) and one 2nd order high pass filter (treble).

Refer to [Tone Control - Bass and Treble Change](#) for a programming example that shows how to change Bass and Treble values.

Automatic Volume Control (AVC)

An Automatic Volume Control (AVC) block is provided to reduce loud signals and amplify low level signals for easier listening. The AVC is designed to compress audio when the measured level is above the programmed threshold or to expand the audio to the programmed threshold when the measured audio is below the threshold. The threshold level is programmable with an allowed range of 0 to -96 dB.

[Figure 16](#) shows the AVC block diagram and controls.

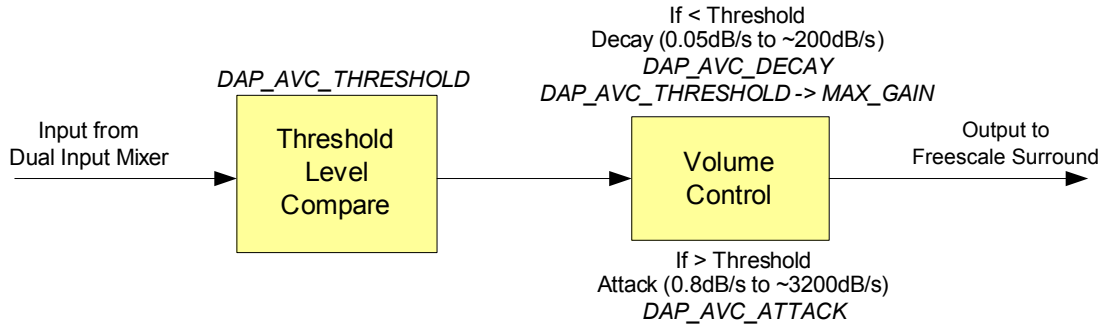


Figure 16. DAP AVC Block Diagram

When the measured audio level is below threshold, the AVC can apply a maximum gain of up to 12 dB. The maximum gain can be selected, either 0, 6, or 12 dB. When the maximum gain is set to 0 dB the AVC acts as a limiter. In this case the AVC only takes effect when the signal level is above the threshold.

The rate at which the incoming signal is attenuated down to the threshold is called the attack rate. Too high of an attack causes an unnatural sound as the input signal may be distorted. Too low of an attack may cause saturation of the output as the incoming signal is not compressed quickly enough. The attack rate is programmable with allowed range of 0.05 dB/s to 200 dB/s.

When the signal is below the threshold, AVC adjusts the volume up until either the threshold or the maximum gain is reached. The rate at which this volume is changed is called the decay rate. The decay rate is programmable with allowed range of 0.8 dB/s to 3200 dB/s. It is desirable to use very slow decay rate to avoid any distortion in the signal and prevent the AVC from entering a continuous attack-decay loop.

Refer to [Automatic Volume Control \(AVC\)](#) and [Automatic Volume Control \(AVC\) On/Off](#) for a programming example that shows how to configure AVC and how to enable/disable AVC respectively.

CONTROL

The SGT5000 supports both I²C and SPI control modes (note that SPI is not supported in the 20 QFN part). The CTRL_MODE pin chooses which mode is used. When CTRL_MODE is tied to ground, the control mode is I²C. When CTRL_MODE is tied to VDDIO, the control mode is SPI.

Regardless of the mode, the control interface is used for all communication with the SGT5000 including startup configuration, routing, volume, etc.

I²C

The I²C port is implemented according to the I²C specification v2.0. The I²C interface is used to read and write all registers.

For the 32 QFN version of the SGT5000, the I²C device address is 0n01010(R/W) where n is determined by CTRL_ADR0_CS and R/W is the read/write bit from the I²C protocol.

For the 20 QFN version of the SGT5000 the I²C address is always 0001010(R/W).

The SGT5000 is always the slave on all transactions, which means that an external master always drives CTRL_CLK.

In general, an I²C transaction looks like the following.

All locations are accessed with a 16 bit address. Each location is 16 bits wide.

Example I²C write

- Start condition
- Device address with the R/W bit cleared to indicate write
- Send two bytes for the 16 bit register address (most significant byte first)
- Send two bytes for the 16 bits of data to be written to the register (most significant byte first)
- Stop condition

Example I²C read

- Start condition
- Device address with the R/W bit cleared to indicate write
- Send two bytes for the 16 bit register address (most significant byte first)
- Stop Condition followed by start condition (or a single restart condition)
- Device address with the R/W bit set to indicate read
- Read two bytes from the addressed register (most significant byte first)
- Stop condition

[Figure 17](#) shows the functional I²C timing diagram.

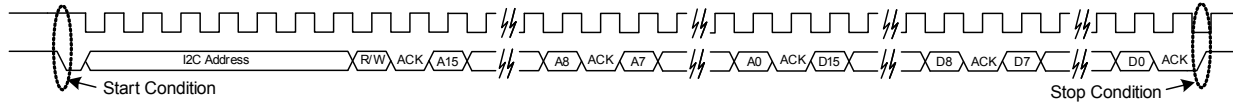


Figure 17. Functional I²C Diagram

The protocol has an auto increment feature. Instead of sending the stop condition after two bytes of data, the master may continue to send data byte pairs for writing, or it may send extra clocks for reading data byte pairs. In either case, the access address is incremented after every two bytes of data. A start or stop condition from the I²C master interrupts the current command. For reads, unless a new address is written, a new start condition with R/W=0 reads from the current address and continues to auto increment.

The following diagrams describe the different access formats. The gray fields are from the I²C master, and the white fields are the SGTL5000 responses. Data [n] corresponds to the data read from the address sent, data[n+1] is the data from the next register, and so on.

- S = Start Condition
- Sr = Restart Condition
- A = Ack
- N = Nack
- P = Stop Condition

Table 11. Write Single Location

S	Device Address	W (0)	A	ADDR byte 1	A	ADDR byte 0	A	DATA byte 1	A	DATA byte 0	A	P
---	----------------	-------	---	-------------	---	-------------	---	-------------	---	-------------	---	---

Table 12. Write Auto increment

S	Device Address	W (0)	A	start ADDR byte 1	A	start ADDR byte 0	A	DATA [n] byte 1	A	DATA [n] byte 0	A	DATA [n+1] byte 1	A	DATA [n+1] byte 0	A	P
---	----------------	-------	---	-------------------	---	-------------------	---	-----------------	---	-----------------	---	-------------------	---	-------------------	---	---

Table 13. Read Single Location

S	Device Address	W (0)	A	ADDR byte 1	A	ADDR byte 0	A	Sr	Device Address	R (1)	A	DATA byte 1	A	DATA byte 0	N	P
---	----------------	-------	---	-------------	---	-------------	---	----	----------------	-------	---	-------------	---	-------------	---	---

Table 14. Read Auto increment

S	Device Address	W (0)	A	start ADDR byte 1	A	start ADDR byte 0	A	Sr	Device Address	R (1)	A	DATA [n] byte 1	A	DATA [n] byte 0	A	DATA [n+1] byte 1	A	DATA [n+1] byte 0	N	P
---	----------------	-------	---	-------------------	---	-------------------	---	----	----------------	-------	---	-----------------	---	-----------------	---	-------------------	---	-------------------	---	---

Table 15. Read Continuing Auto increment

S	Device Address	R	A	DATA [n+2] byte 1	A	DATA [n+2] byte 0	A	DATA [n+3] byte 1	A	DATA [n+3] byte 0	N	P
---	----------------	---	---	-------------------	---	-------------------	---	-------------------	---	-------------------	---	---

SPI

Serial Peripheral Interface (SPI) is a communications protocol supported by the SGTL5000 (not supported in the 20 QFN package). The SGTL5000 is always a slave. The CTRL_ADR0_CS is used as the slave select (SS) when the master wants to select the SGTL5000 for communication. CTRL_CLK is connected to master's SCLK and CTRL_DATA

is connected to master's MOSI line. The part only supports SPI write operations and does not support read operations.

Figure 18 shows the functional timing diagram of the SPI communication protocol as supported by the SGTL5000 chip. Note that on the rising edge of the SS, the chip latches to the previous 32 bits of data. It interprets the latest 16-bits as register value and the 16-bits preceding it as register address.

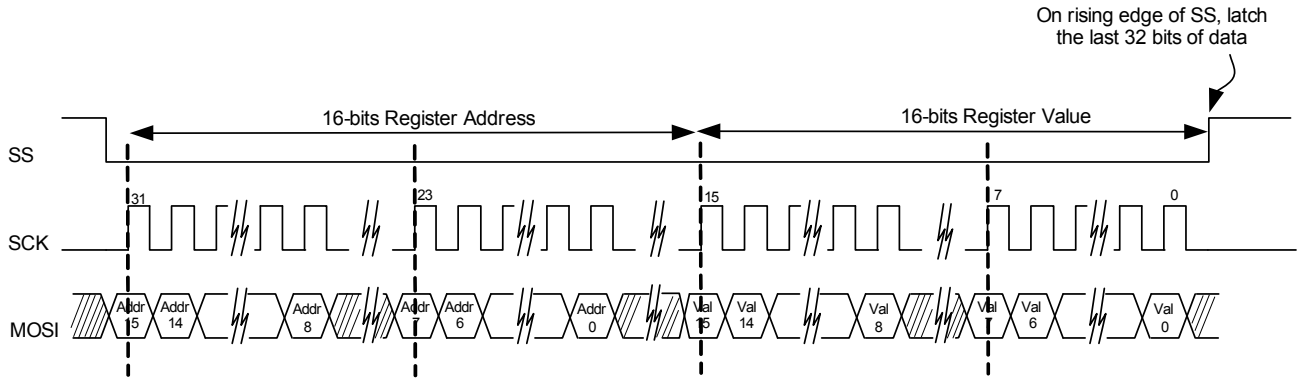


Figure 18. Functional Timing Diagram of SPI Protocol

PROGRAMMING EXAMPLES

This section provides programming examples showing how to configure the chip. The registers can be written/read by using I²C communication protocol. The chip also supports

SPI communication protocol (not supported in the 20 QFN package), but only register write operation is supported.

PROTOTYPE FOR READING AND WRITING A REGISTER

The generic register read write prototype is used throughout this section, as shown by the following. The I²C or SPI implementation is specific to the I²C/SPI hardware used in the system.

```
// This prototype writes a value to the entire register. All
// bit-fields of the register will be written.
Write REGISTER REGISTERVALUE
// This prototype writes a value only to the bit-field specified.
// In the actual implementation, the other bit-fields should be
// masked to prevent them from being written. Also, the
// actual implementation should left-shift the BITFIELDVALUE
// by appropriate number to match the starting bit location of
// the BITFIELD.
Modify REGISTER -> BITFIELD, BITFIELDVALUE //Bitfield
Location
// Example implementation
// Modify DAP_EN (bit 0) bit to value 1 to enable DAP block
Modify(DAP_CONTROL_REG, 0xFFFE, 1 <<
DAP_EN_STARTBIT);
// Example Implementation of Modify
void Modify(unsigned short usRegister,
            unsigned short usClearMask,
            unsigned short usSetValue)
{
    unsigned short usData;
    // 1) Read current value
    ReadRegister(usRegister, &usData);
    // 2) Clear out old bits
    usData = usData & usClearMask;
    // 3) set new bit values
    usData = usData | usSetValue;
    // 4) Write out new value created
    WriteRegister(usRegister, usData);
}
```

CHIP CONFIGURATION

All outputs (LINEOUT, HP_OUT, I2S_OUT) are muted by default on power up. To avoid any pops/clicks, the outputs should remain muted during these chip configuration steps. Refer to [Volume Control](#) for volume and mute control.

Initialization

Chip Powerup and Supply Configurations

After the power supplies for the chip are turned on, the following initialization sequence should be followed. Please note that certain steps may be optional or different values may need to be written based on the power supply voltage

used and desired configuration. The initialization sequence below assumes VDDIO = 3.3 V and VDDA = 1.8 V.

```
//----- Power Supply Configuration-----
// NOTE: This next 2 Write calls is needed ONLY if VDDD is
// internally driven by the chip
// Configure VDDD level to 1.2V (bits 3:0)
Write CHIP_LINREG_CTRL 0x0008
// Power up internal linear regulator (Set bit 9)
Write CHIP_ANA_POWER 0x7260
// NOTE: This next Write call is needed ONLY if VDDD is
// externally driven
// Turn off startup power supplies to save power (Clear bit 12 and
13)
Write CHIP_ANA_POWER 0x4260
// NOTE: The next Write calls is needed only if both VDDA and
// VDDIO power supplies are less than 3.1V.
// Enable the internal oscillator for the charge pump (Set bit 11)
Write CHIP_CLK_TOP_CTRL 0x0800
// Enable charge pump (Set bit 11)
Write CHIP_ANA_POWER 0x4A60
// NOTE: The next modify call is only needed if both VDDA and
// VDDIO are greater than 3.1 V
// Configure the charge pump to use the VDDIO rail (set bit 5 and
bit 6)
Write CHIP_LINREG_CTRL 0x006C
//--- Reference Voltage and Bias Current Configuration---
// NOTE: The value written in the next 2 Write calls is dependent
// on the VDDA voltage value.
// Set ground, ADC, DAC reference voltage (bits 8:4). The value
should
// be set to VDDA/2. This example assumes VDDA = 1.8 V.
VDDA/2 = 0.9 V.
// The bias current should be set to 50% of the nominal value (bits
3:1)
Write CHIP_REF_CTRL 0x004E
// Set LINEOUT reference voltage to VDDIO/2 (1.65 V) (bits 5:0)
and bias current (bits 11:8) to the recommended value of 0.36 mA
for 10 kOhm load with 1.0 nF capacitance
Write CHIP_LINE_OUT_CTRL 0x0322
//-----Other Analog Block Configurations-----
// Configure slow ramp up rate to minimize pop (bit 0)
Write CHIP_REF_CTRL 0x004F
// Enable short detect mode for headphone left/right
// and center channel and set short detect current trip level
// to 75 mA
Write CHIP_SHORT_CTRL 0x1106
// Enable Zero-cross detect if needed for HP_OUT (bit 5) and ADC
(bit 1)
```

```

Write CHIP_ANA_CTRL      0x0133
//-----Power up Inputs/Outputs/Digital Blocks-----
// Power up LINEOUT, HP, ADC, DAC
Write CHIP_ANA_POWER 0x6AFF
// Power up desired digital blocks
// I2S_IN (bit 0), I2S_OUT (bit 1), DAP (bit 4), DAC (bit 5),
// ADC (bit 6) are powered on
Write CHIP_DIG_POWER    0x0073
//-----Set LINEOUT Volume Level-----
// Set the LINEOUT volume level based on voltage reference
// (VAG)
// values using this formula
// Value = (int)(40*log(VAG_VAL/LO_VAGCNTRL) + 15)
// Assuming VAG_VAL and LO_VAGCNTRL is set to 0.9 V and
// 1.65 V respectively, the // left LO vol (bits 12:8) and right LO
// volume (bits 4:0) value should be set // to 5
Write CHIP_LINE_OUT_VOL 0x0505
    
```

System MCLK and Sample Clock

```

// Configure SYS_FS clock to 48 kHz
// Configure MCLK_FREQ to 256*Fs
Modify CHIP_CLK_CTRL->SYS_FS 0x0002 // bits 3:2
Modify CHIP_CLK_CTRL->MCLK_FREQ 0x0000 // bits 1:0
// Configure the I2S clocks in master mode
// NOTE: I2S LRCLK is same as the system sample clock
Modify CHIP_I2S_CTRL->MS 0x0001 // bit 7
    
```

PLL Configuration

These programming steps are needed only when the PLL is used. Refer to [Using the PLL - Asynchronous SYS_MCLK input](#) for details on when to use the PLL.

To avoid any pops/clicks, the outputs should be muted during these chip configuration steps. Refer to [Volume Control](#) for volume and mute control.

```

// Power up the PLL
Modify CHIP_ANA_POWER->PLL_POWERUP 0x0001 // bit 10
Modify CHIP_ANA_POWER->VCOAMP_POWERUP 0x0001 // bit 8
// NOTE: This step is required only when the external SYS_MCLK
// is above 17 MHz. In this case the external SYS_MCLK clock
// must be divided by 2
Modify CHIP_CLK_TOP_CTRL->INPUT_FREQ_DIV2 0x0001 // bit 3
Sys_MCLK_Input_Freq = Sys_MCLK_Input_Freq/2;
// PLL output frequency is different based on the sample clock
// rate used.
if (Sys_Fs_Rate == 44.1 kHz)
    PLL_Output_Freq = 180.6336 MHz
else
    PLL_Output_Freq = 196.608 MHz
// Set the PLL dividers
Int_Divisor = floor(PLL_Output_Freq/Sys_MCLK_Input_Freq)
Frac_Divisor = ((PLL_Output_Freq/Sys_MCLK_Input_Freq) -
Int_Divisor)*2048
Modify CHIP_PLL_CTRL->INT_DIVISOR Int_Divisor // bits 15:11
    
```

```

Modify CHIP_PLL_CTRL->FRAC_DIVISOR Frac_Divisor // bits
10:0
    
```

Input/Output Routing

To avoid any pops/clicks, the outputs should be muted during these chip configuration steps. Refer to [Volume Control](#) for volume and mute control.

A few example routes are shown below:

```

// Example 1: I2S_IN -> DAP -> DAC -> LINEOUT, HP_OUT
// Route I2S_IN to DAP
Modify CHIP_SSS_CTRL->DAP_SELECT 0x0001 // bits 7:6
// Route DAP to DAC
Modify CHIP_SSS_CTRL->DAC_SELECT 0x0003 // bits 5:4
// Select DAC as the input to HP_OUT
Modify CHIP_ANA_CTRL->SELECT_HP 0x0000 // bit 6
// Example 2: MIC_IN -> ADC -> I2S_OUT
// Set ADC input to MIC_IN
Modify CHIP_ANA_CTRL->SELECT_ADC 0x0000 // bit 2
// Route ADC to I2S_OUT
Modify CHIP_SSS_CTRL->I2S_SELECT 0x0000 // bits 1:0
// Example 3: LINEIN -> HP_OUT
// Select LINEIN as the input to HP_OUT
Modify CHIP_ANA_CTRL->SELECT_HP 0x0001 // bit 6
    
```

DIGITAL AUDIO PROCESSOR CONFIGURATION

To avoid any pops/clicks, the outputs should be muted during these chip configuration steps. Refer to [Volume Control](#) for volume and mute control.

```

// Enable DAP block
// NOTE: DAP will be in a pass-through mode if none of DAP
// sub-blocks are enabled.
Modify DAP_CONTROL->DAP_EN 0x0001 // bit 0
    
```

Dual Input Mixer

These programming steps are needed only if dual input mixer feature is used.

```

// Enable Dual Input Mixer
Modify DAP_CONTROL->MIX_EN 0x0001 // bit 4
// NOTE: This example assumes mix level of main and mix
// channels as 100% and 50% respectively
// Configure main channel volume to 100% (No change from input
// level)
Write DAP_MAIN_CHAN 0x4000
// Configure mix channel volume to 50% (attenuate the mix
// input level by half)
Write DAP_MIX_CHAN 0x4000
    
```

Freescal Surround

The Freescale Surround on/off function is typically controlled by the end-user. End-user driven programming steps are shown in [End-user Driven Chip Configuration](#).

The default WIDTH_CONTROL of 4 should be appropriate for most applications. This optional programming step shows how to configure a different width value.

```
// Configure the surround width
// (0x0 = Least width, 0x7 = Most width). This example shows
// a width setting of 5
Modify DAP_SGTL_SURROUND->WIDTH_CONTROL 0x0005
// bits 6:4
```

Freescal Bass Enhance

The Freescale Bass Enhance on/off function is typically controlled by the end-user. End-user driven programming steps are shown in [End-user Driven Chip Configuration](#).

The default LR_LEVEL value of 0x0005 results in no change in the input signal level and BASS_LEVEL value of 0x001F adds some harmonic boost to the main signal. The default settings should work for most applications. This optional programming step shows how to configure a different value.

```
// Gain up the input signal level
Modify DAP_BASS_ENHANCE_CTRL->LR_LEVEL 0x0002
// bits 7:4
// Add harmonic boost
Modify DAP_BASS_ENHANCE_CTRL->BASS_LEVEL 0x003F;
// bits 6:0
```

7-Band Parametric EQ / 5-Band Graphic EQ / Tone Control

Only one audio EQ block can be used at a given time. The pseudocode in this section shows how to select each block.

Some parameters of the audio EQ are typically controlled by the end-user. End-user driven programming steps are shown in [End-user Driven Chip Configuration](#).

```
// 7-Band PEQ Mode
// Select 7-Band PEQ mode and enable 7 PEQ filters
Write DAP_AUDIO_EQ 0x0001
Write DAP_PEQ 0x0007
// Tone Control mode
Write DAP_AUDIO_EQ 0x0002
// 5-Band GEQ Mode
Write DAP_AUDIO_EQ 0x0003
```

Automatic Volume Control (AVC)

The AVC on/off function is typically controlled by the end-user. End-user driven programming steps are shown in [End-user Driven Chip Configuration](#).

The default configuration of the AVC should work for most applications. However, the following example shows how to change the configuration if needed.

```
// Configure threshold to -18dB
Write DAP_AVC_THRESHOLD 0x0A40
// Configure attack rate to 16dB/s
Write DAP_AVC_ATTACK 0x0014
// Configure decay rate to 2dB/s
```

```
Write DAP_AVC_DECAY 0x0028
```

I²S CONFIGURATION

By default the I²S port on the chip is configured for 24-bits of data in I²S format with SCLK set for 64*Fs. This can be modified by setting various bit-fields in the CHIP_I2S_CTRL register.

VOLUME CONTROL

The outputs should be unmuted after all the configuration is complete.

```
//----- Input Volume Control-----
// Configure ADC left and right analog volume to desired default.
// Example shows volume of 0dB
Write CHIP_ANA_ADC_CTRL 0x0000
// Configure MIC gain if needed. Example shows gain of 20dB
Modify CHIP_MIC_CTRL->GAIN 0x0001
// bits 1:0
//----- Volume and Mute Control-----
// Configure HP_OUT left and right volume to minimum, unmute
// HP_OUT and ramp the volume up to desired volume.
Write CHIP_ANA_HP_CTRL 0x7F7F
Modify CHIP_ANA_CTRL->MUTE_HP 0x0000
// bit 4
// Code assumes that left and right volumes are set to same value
// So it only uses the left volume for the calculations
usCurrentVolLeft = 0x7F;
usNewVolLeft = usNewVol & 0xFF;
usNumSteps = usNewVolLeft - usCurrentVolLeft;
if (usNumSteps == 0) return;
// Ramp up
for (int i = 0; i < usNumSteps; i++)
{
    ++usCurrentVolLeft;
    usCurrentVol = (usCurrentVolLeft << 8) | (usCurrentVolLeft);
    Write CHIP_ANA_HP_CTRL usCurrentVol;
}
// LINEOUT and DAC volume control
Modify CHIP_ANA_CTRL->MUTE_LO 0x0000
// bit 8
// Configure DAC left and right digital volume. Example shows
// volume of 0dB
Write CHIP_DAC_VOL 0x3C3C
Modify CHIP_ADCDAC_CTRL->DAC_MUTE_LEFT 0x0000
// bit 2
Modify CHIP_ADCDAC_CTRL->DAC_MUTE_RIGHT 0x0000
// bit 3
// Unmute ADC
Modify CHIP_ANA_CTRL->MUTE_ADC 0x0000
// bit 0
```

END-USER DRIVEN CHIP CONFIGURATION

End-users control features like volume up/down, and audio EQ parameters such as Bass and Treble. This requires programming the chip without introducing any pops/clicks or any other disturbance to the output. This section shows examples on how to program these features.

VOLUME AND MUTE CONTROL

Refer to [Volume Control](#) for examples on how to program volume when end-user changes the volume or mutes/unmutes the output. Note that the DAC volume ramp is automatically handled by the chip.

7-BAND PEQ PRESET SELECTION

This programming example shows how to load the filter coefficients when the end-user changes PEQ presets such as Rock, Speech, Classical etc.

```
// Load the 5 coefficients for each band and write them to
// appropriate filter address. Repeat this for all enabled
// filters (this example shows 7 filters)
for (i = 0; i < 7; i++)
{
// Note that each 20-bit coefficient is broken into 16-bit MSB
// (unsigned short usXXMSB) and 4-bit LSB (unsigned short
// usXXLSB)
Write DAP_COEF_WR_B0_LSB usB0MSB[]
Write DAP_COEF_WR_B0_MSB usB0LSB[]
Write DAP_COEF_WR_B1_LSB usB1MSB[]
Write DAP_COEF_WR_B1_MSB usB1LSB[]
Write DAP_COEF_WR_B2_LSB usB2MSB[]
Write DAP_COEF_WR_B2_MSB usB2LSB[]
Write DAP_COEF_WR_A1_LSB usA1MSB[]
Write DAP_COEF_WR_A1_MSB usA1LSB[]
Write DAP_COEF_WR_A2_LSB usA2MSB[]
Write DAP_COEF_WR_A2_MSB usA2LSB[]
// Set the index of the filter (bits 7:0) and load the
// coefficients
Modify DAP_FILTER_COEF_ACCESS->INDEX (0x0101 + i)
// bit 8
}
```

5-BAND GEQ VOLUME CHANGE

This programming example shows how to program the GEQ volume when end-user changes the volume on any of the 5 bands.

GEQ volume should be ramped in 0.5 dB steps in order to avoid any pops. The example assumes that volume is ramped on Band 0. Other bands can be programmed similarly.

```
// Read current volume set on Band 0
usCurrentVol = Read DAP_AUDIO_EQ_BASS_BAND0
// Convert the new volume to hex value
usNewVol = 4*dNewVolDb + 47;
// Calculate the number of steps
```

```
usNumSteps = abs(usNewVol - usCurrentVol);
if (usNumSteps == 0) return;
for (int i = 0; i++; usNumSteps)
{
if (usNewVol > usCurrentVol)
++usCurrentVol;
else
--usCurrentVol;
Write DAP_AUDIO_EQ_BASS_BAND0 usCurrentVol;
}
```

tone control - Bass and Treble Change

This programming example shows how to program the Tone Control Bass and Treble when end-user changes it on the fly.

Tone Control Bass and Treble volume should be ramped in 0.5 dB steps in order to avoid any pops. The example assumes that Treble is changed to a new value. Bass can be programmed similarly.

```
// Read current Treble value
usCurrentVal = Read DAP_AUDIO_EQ_TREBLE_BAND4
// Convert the new Treble value to hex value
usNewVol = 4*dNewVolDb + 47;
// Calculate the number of steps
usNumSteps = abs(usNewVal - usCurrentVal);
if (usNumSteps == 0) return;
for (int i = 0; i++; usNumSteps)
{
if (usNewVal > usCurrentVal)
++usCurrentVal;
else
--usCurrentVal;
Write DAP_AUDIO_EQ_TREBLE_BAND4 usCurrentVal;
}
```

Freescale Surround On/Off

This programming example shows how to program the Surround when end-user turns it on/off on their device.

The Surround width should be ramped up to highest value before enabling/disabling the Surround to avoid any pops.

```
// Read current Surround width value
// WIDTH_CONTROL bits 6:4
usOriginalVal = (Read DAP_SGTL_SURROUND >> 4) &&
0x0003;
usNextVal = usOriginalVal;
// Ramp up the width to maximum value of 7
for (int i = 0; i++; (7 - usOriginalVal))
{
++usNextVal;
Modify DAP_SGTL_SURROUND->WIDTH_CONTROL
usNextVal;
}
// Enable (To disable, write 0x0000) Surround
```

```
// SELECT bits 1:0
Modify DAP_SGTL_SURROUND->SELECT 0x0003;
// Ramp down the width to original value
for (int i = 0; i++; (7 - usOriginalVal)
{
--usNextVal;
Modify DAP_SGTL_SURROUND->WIDTH_CONTROL
usNextVal;
}
```

BASS ENHANCE ON/OFF

This programming example shows how to program the Bass Enhance on/off when end-user turns it on/off on their device.

The Bass level should be ramped down to the lowest Bass before Bass Enhance feature is turned on/off.

```
// Read current Bass level value
// BASS_LEVEL bits 6:0
usOriginalVal = Read DAP_BASS_ENHANCE_CTRL &&
0x007F;
usNextVal = usOriginalVal;
// Ramp Bass level to lowest bass (lowest bass = 0x007F)
usNumSteps = abs(0x007F - usOriginalVal);
for (int i = 0; i++; usNumSteps)
```

```
{
++usNextVal;
Modify DAP_BASS_ENHANCE_CTRL->BASS_LEVEL
usNextVal;
}
// Enable (To disable, write 0x0000) Bass Enhance
// EN bit 0
Modify DAP_BASS_ENHANCE->EN 0x0001;
// Ramp Bass level back to original value
for (int i = 0; i++; usNumSteps)
{
--usNextVal;
Modify DAP_BASS_ENHANCE_CTRL->BASS_LEVEL
usNextVal;
}
```

AUTOMATIC VOLUME CONTROL (AVC) ON/OFF

This programming example shows how to program the AVC on/off when end-user turns it on/off on their device.

```
// Enable AVC (To disable, write 0x0000)
Modify DAP_AVC_CTRL->EN 0x0001
// bit 0
Register description
CHIP_ID 0x0000
```

Table 16. CHIP_ID 0x0000

15	14	13	12	11	10	9	8	7	6	5	4	3	2	1	0
PARTID								REVID							
BITS	FIELD	RW	RESET	DEFINITION											
15:8	PARTID	RO	0xA0	SGTL5000 Part ID 0xA0 - 8 bit identifier for SGTL5000											
7:0	REVID	RO	0x00	SGTL5000 Revision ID 0xHH - revision number for SGTL5000.											

Table 17. CHIP_DIG_POWER 0x0002

15	14	13	12	11	10	9	8	7	6	5	4	3	2	1	0	
RSVD									ADC_POWERUP	DAC_POWERUP	DAP_POWERUP	RSVD			I2S_OUT_POWERUP	I2S_IN_POWERUP
BITS	FIELD	RW	RESET	DEFINITION												
15:7	RSVD	RO	0x0	Reserved												
6	ADC_POWERUP	RW	0x0	Enable/disable the ADC block, both digital and analog 0x0 = Disable 0x1 = Enable												

BITS	FIELD	RW	RESET	DEFINITION
5	DAC_POWERUP	RW	0x0	Enable/disable the DAC block, both analog and digital 0x0 = Disable 0x1 = Enable
4	DAP_POWERUP	RW	0x0	Enable/disable the DAP block 0x0 = Disable 0x1 = Enable
3:2	RSVD	RW	0x0	Reserved
1	I2S_OUT_POWERUP	RW	0x0	Enable/disable the I2S data output 0x0 = Disable 0x1 = Enable
0	I2S_IN_POWERUP	RW	0x0	Enable/disable the I2S data input 0x0 = Disable 0x1 = Enable

Table 18. CHIP_CLK_CTRL 0x0004

15	14	13	12	11	10	9	8	7	6	5	4	3	2	1	0
RSVD										RATE_MODE	SYS_FS		MCLK_FREQ		
BITS	FIELD	RW	RESET	DEFINITION											
15:6	RSVD	RO	0x0	Reserved											
5:4	RATE_MODE	RW	0x0	Sets the sample rate mode. MCLK_FREQ is still specified relative to the rate in SYS_FS 0x0 = SYS_FS specifies the rate 0x1 = Rate is 1/2 of the SYS_FS rate 0x2 = Rate is 1/4 of the SYS_FS rate 0x3 = Rate is 1/6 of the SYS_FS rate											
3:2	SYS_FS	RW	0x2	Sets the internal system sample rate 0x0 = 32 kHz 0x1 = 44.1 kHz 0x2 = 48 kHz 0x3 = 96 kHz											
1:0	MCLK_FREQ	RW	0x0	Identifies incoming SYS_MCLK frequency and if the PLL should be used 0x0 = 256*Fs 0x1 = 384*Fs 0x2 = 512*Fs 0x3 = Use PLL The 0x3 (Use PLL) setting must be used if the SYS_MCLK is not a standard multiple of Fs (256, 384, or 512). This setting can also be used if SYS_MCLK is a standard multiple of Fs. Before this field is set to 0x3 (Use PLL), the PLL must be powered up by setting CHIP_ANA_POWER->PLL_POWERUP and CHIP_ANA_POWER->VCOAMP_POWERUP. Also, the PLL dividers must be calculated based on the external MCLK rate and CHIP_PLL_CTRL register must be set (see CHIP_PLL_CTRL register description details on how to calculate the divisors).											

Table 19. CHIP_I2S_CTRL 0x0006

15	14	13	12	11	10	9	8	7	6	5	4	3	2	1	0
RSVD							SCLKFREQ	MS	SCLK_INV	DLEN		I2S_MODE		LRALIGN	LRPOL
BITS	FIELD		RW	RESET	DEFINITION										
15:9	RSVD		RO	0x0	Reserved										
8	SCLKFREQ		RW	0x0	Sets frequency of I2S_SCLK when in master mode (MS=1). When in slave mode (MS=0), this field must be set appropriately to match SCLK input rate. 0x0 = 64Fs 0x1 = 32Fs - Not supported for RJ mode (I2S_MODE = 1)										
7	MS		RW	0x0	Configures master or slave of I2S_LRCLK and I2S_SCLK. 0x0 = Slave: I2S_LRCLK and I2S_SCLK are inputs 0x1 = Master: I2S_LRCLK and I2S_SCLK are outputs NOTE: If the PLL is used (CHIP_CLK_CTRL->MCLK_FREQ==0x3), the SGTL5000 must be a master of the I ² S port (MS==1)										
6	SCLK_INV		RW	0x0	Sets the edge that data (input and output) is clocked in on for I2S_SCLK 0x0 = data is valid on rising edge of I2S_SCLK 0x1 = data is valid on falling edge of I2S_SCLK										
5:4	DLEN		RW	0x1	I ² S data length 0x0 = 32 bits (only valid when SCLKFREQ=0), not valid for Right Justified Mode 0x1 = 24 bits (only valid when SCLKFREQ=0) 0x2 = 20 bits 0x3 = 16 bits										
3:2	I2S_MODE		RW	0x0	Sets the mode for the I ² S port 0x0 = I ² S mode or Left Justified (Use LRALIGN to select) 0x1 = Right Justified Mode 0x2 = PCM Format A/B 0x3 = RESERVED										
1	LRALIGN		RW	0x0	I2S_LRCLK Alignment to data word. Not used for Right Justified mode 0x0 = Data word starts 1 I2S_SCLK delay after I2S_LRCLK transition (I ² S format, PCM format A) 0x1 = Data word starts after I2S_LRCLK transition (left justified format, PCM format B)										
0	LRPOL		RW	0x0	I2S_LRCLK Polarity when data is presented. 0x0 = I2S_LRCLK = 0 - Left, 1 - Right 1x0 = I2S_LRCLK = 0 - Right, 1 - Left The left subframe should be presented first regardless of the setting of LRPOL.										

Table 20. CHIP_SSS_CTRL 0x000A

15	14	13	12	11	10	9	8	7	6	5	4	3	2	1	0
RSVD	DAP_MIX_LRSWAP	DAP_LRSWAP	DAC_LRSWAP	RSVD	I2S_LRSWAP	DAP_MIX_SELECT		DAP_SELECT		DAC_SELECT		RSVD		I2S_SELECT	

BITS	FIELD	RW	RESET	DEFINITION
15	RSVD	RW	0x0	Reserved
14	DAP_MIX_LRSWAP	RW	0x0	DAP Mixer Input Swap 0x0 = Normal Operation 0x1 = Left and Right channels for the DAP MIXER Input are swapped.
13	DAP_LRSWAP	RW	0x0	DAP Input Swap 0x0 = Normal Operation 0x1 = Left and Right channels for the DAP Input are swapped
12	DAC_LRSWAP	RW	0x0	DAC Input Swap 0x0 = Normal Operation 0x1 = Left and Right channels for the DAC are swapped
11	RSVD	RW	0x0	Reserved
10	I2S_LRSWAP	RW	0x0	I2S_DOUT Swap 0x0 = Normal Operation 0x1 = Left and Right channels for the I2S_DOUT are swapped
9:8	DAP_MIX_SELECT	RW	0x0	Select data source for DAP mixer 0x0 = ADC 0x1 = I2S_IN 0x2 = Reserved 0x3 = Reserved
7:6	DAP_SELECT	RW	0x0	Select data source for DAP 0x0 = ADC 0x1 = I2S_IN 0x2 = Reserved 0x3 = Reserved
5:4	DAC_SELECT	RW	0x1	Select data source for DAC 0x0 = ADC 0x1 = I2S_IN 0x2 = Reserved 0x3 = DAP
3:2	RSVD	RW	0x0	Reserved
1:0	I2S_SELECT	WO	0x0	Select data source for I2S_DOUT 0x0 = ADC 0x1 = I2S_IN 0x2 = Reserved 0x3 = DAP

Table 21. CHIP_ADCDAC_CTRL 0x000E

15	14	13	12	11	10	9	8	7	6	5	4	3	2	1	0
RSVD		VOL_BUSY_DAC_RIGHT	VOL_BUSY_DAC_LEFT	RSVD		VOL_RAMP_EN	VOL_EXPO_RAMP	RSVD				DAC_MUTE_RIGHT	DAC_MUTE_LEFT	ADC_HPF_FREEZE	ADC_HPF_BYPASS

BITS	FIELD	RW	RESET	DEFINITION
15:14	RSVD	RO	0x0	Reserved
13	VOL_BUSY_DAC_RIGHT	RO	0x0	Volume Busy DAC Right 0x0 = Ready 0x1 = Busy - This indicates the channel has not reached its programmed volume/mute level
12	VOL_BUSY_DAC_LEFT	RO	0x0	Volume Busy DAC Left 0x0 = Ready 0x1 = Busy - This indicates the channel has not reached its programmed volume/mute level
11:10	RSVD	RO	0x0	Reserved
9	VOL_RAMP_EN	RW	0x1	Volume Ramp Enable 0x0 = Disables volume ramp. New volume settings take immediate effect without a ramp 0x1 = Enables volume ramp This field affects DAC_VOL. The volume ramp effects both volume settings and mute. When set to 1 a soft mute is enabled.
8	VOL_EXPO_RAMP	RW	0x0	Exponential Volume Ramp Enable 0x0 = Linear ramp over top 4 volume octaves 0x1 = Exponential ramp over full volume range This bit only takes effect if VOL_RAMP_EN is 1.
7:4	RSVD	RW	0x0	Reserved
3	DAC_MUTE_RIGHT	RW	0x1	DAC Right Mute 0x0 = Unmute 0x1 = Muted If VOL_RAMP_EN = 1, this is a soft mute.
2	DAC_MUTE_LEFT	RW	0x1	DAC Left Mute 0x0 = Unmute 0x1 = Muted If VOL_RAMP_EN = 1, this is a soft mute.
1	ADC_HPF_FREEZE	RW	0x0	ADC High Pass Filter Freeze 0x0 = Normal operation 0x1 = Freeze the ADC high-pass filter offset register. The offset continues to be subtracted from the ADC data stream.
0	ADC_HPF_BYPASS	RW	0x0	ADC High Pass Filter Bypass 0x0 = Normal operation 0x1 = Bypassed and offset not updated

Table 22. CHIP_DAC_VOL 0x0010

15	14	13	12	11	10	9	8	7	6	5	4	3	2	1	0
DAC_VOL_RIGHT								DAC_VOL_LEFT							
BITS	FIELD				RW	RESET	DEFINITION								
15:8	DAC_VOL_RIGHT				RW	0x3C	DAC Right Channel Volume Set the Right channel DAC volume with 0.5017 dB steps from 0 to -90 dB 0x3B and less = Reserved 0x3C = 0 dB 0x3D = -0.5 dB 0xF0 = -90 dB 0xFC and greater = Muted If <i>VOL_RAMP_EN</i> = 1, there is an automatic ramp to the new volume setting.								
7:0	DAC_VOL_LEFT				RW	0x3C	DAC Left Channel Volume Set the Left channel DAC volume with 0.5017 dB steps from 0 to -90 dB 0x3B and less = Reserved 0x3C = 0 dB 0x3D = -0.5 dB 0xF0 = -90 dB 0xFC and greater = Muted If <i>VOL_RAMP_EN</i> = 1, there is an automatic ramp to the new volume setting.								

Table 23. CHIP_PAD_STRENGTH 0x0014

15	14	13	12	11	10	9	8	7	6	5	4	3	2	1	0
RSVD						I2S_LRCLK	I2S_SCLK	I2S_DOUT	CTRL_DATA	CTRL_CLK					
BITS	FIELD				RW	RESET	DEFINITION								
15:14	RSVD				RW	0x0	Reserved								
9:8	I2S_LRCLK				RW	0x1	I ² S LRCLK Pad Drive Strength Sets drive strength for output pads per the table below. VDDIO 1.8 V 2.5 V 3.3 V 0x0 = Disable 0x1 = 1.66 mA 2.87 mA 4.02 mA 0x2 = 3.33 mA 5.74 mA 8.03 mA 0x3 = 4.99 mA 8.61 mA 12.05 mA								
7:6	I2S_SCLK				RW	0x1	I ² S SCLK Pad Drive Strength Sets drive strength for output pads per the table below. VDDIO 1.8 V 2.5 V 3.3 V 0x0 = Disable 0x1 = 1.66 mA 2.87 mA 4.02 mA 0x2 = 3.33 mA 5.74 mA 8.03 mA 0x3 = 4.99 mA 8.61 mA 12.05 mA								

BITS	FIELD	RW	RESET	DEFINITION																				
5:4	I2S_DOUT	RW	0x1	<p>I²S DOUT Pad Drive Strength</p> <p>Sets drive strength for output pads per the table below.</p> <table border="1"> <thead> <tr> <th>VDDIO</th> <th>1.8 V</th> <th>2.5 V</th> <th>3.3 V</th> </tr> </thead> <tbody> <tr> <td>0x0 = Disable</td> <td></td> <td></td> <td></td> </tr> <tr> <td>0x1 =</td> <td>1.66 mA</td> <td>2.87 mA</td> <td>4.02 mA</td> </tr> <tr> <td>0x2 =</td> <td>3.33 mA</td> <td>5.74 mA</td> <td>8.03 mA</td> </tr> <tr> <td>0x3 =</td> <td>4.99 mA</td> <td>8.61 mA</td> <td>12.05 mA</td> </tr> </tbody> </table>	VDDIO	1.8 V	2.5 V	3.3 V	0x0 = Disable				0x1 =	1.66 mA	2.87 mA	4.02 mA	0x2 =	3.33 mA	5.74 mA	8.03 mA	0x3 =	4.99 mA	8.61 mA	12.05 mA
VDDIO	1.8 V	2.5 V	3.3 V																					
0x0 = Disable																								
0x1 =	1.66 mA	2.87 mA	4.02 mA																					
0x2 =	3.33 mA	5.74 mA	8.03 mA																					
0x3 =	4.99 mA	8.61 mA	12.05 mA																					
3:2	CTRL_DATA	RW	0x3	<p>I²C DATA Pad Drive Strength</p> <p>Sets drive strength for output pads per the table below.</p> <table border="1"> <thead> <tr> <th>VDDIO</th> <th>1.8 V</th> <th>2.5 V</th> <th>3.3 V</th> </tr> </thead> <tbody> <tr> <td>0x0 = Disable</td> <td></td> <td></td> <td></td> </tr> <tr> <td>0x1 =</td> <td>1.66 mA</td> <td>2.87 mA</td> <td>4.02 mA</td> </tr> <tr> <td>0x2 =</td> <td>3.33 mA</td> <td>5.74 mA</td> <td>8.03 mA</td> </tr> <tr> <td>0x3 =</td> <td>4.99 mA</td> <td>8.61 mA</td> <td>12.05 mA</td> </tr> </tbody> </table>	VDDIO	1.8 V	2.5 V	3.3 V	0x0 = Disable				0x1 =	1.66 mA	2.87 mA	4.02 mA	0x2 =	3.33 mA	5.74 mA	8.03 mA	0x3 =	4.99 mA	8.61 mA	12.05 mA
VDDIO	1.8 V	2.5 V	3.3 V																					
0x0 = Disable																								
0x1 =	1.66 mA	2.87 mA	4.02 mA																					
0x2 =	3.33 mA	5.74 mA	8.03 mA																					
0x3 =	4.99 mA	8.61 mA	12.05 mA																					
1:0	CTRL_CLK	RW	0x3	<p>I²C CLK Pad Drive Strength</p> <p>Sets drive strength for output pads per the table below.</p> <table border="1"> <thead> <tr> <th>VDDIO</th> <th>1.8 V</th> <th>2.5 V</th> <th>3.3 V</th> </tr> </thead> <tbody> <tr> <td>0x0 = Disable</td> <td></td> <td></td> <td></td> </tr> <tr> <td>0x1 =</td> <td>1.66 mA</td> <td>2.87 mA</td> <td>4.02 mA</td> </tr> <tr> <td>0x2 =</td> <td>3.33 mA</td> <td>5.74 mA</td> <td>8.03 mA</td> </tr> <tr> <td>0x3 =</td> <td>4.99 mA</td> <td>8.61 mA</td> <td>12.05 mA</td> </tr> </tbody> </table>	VDDIO	1.8 V	2.5 V	3.3 V	0x0 = Disable				0x1 =	1.66 mA	2.87 mA	4.02 mA	0x2 =	3.33 mA	5.74 mA	8.03 mA	0x3 =	4.99 mA	8.61 mA	12.05 mA
VDDIO	1.8 V	2.5 V	3.3 V																					
0x0 = Disable																								
0x1 =	1.66 mA	2.87 mA	4.02 mA																					
0x2 =	3.33 mA	5.74 mA	8.03 mA																					
0x3 =	4.99 mA	8.61 mA	12.05 mA																					

Table 24. CHIP_ANA_ADC_CTRL 0x0020

15	14	13	12	11	10	9	8	7	6	5	4	3	2	1	0
RSVD							ADC_VOL_M6DB	ADC_VOL_RIGHT				ADC_VOL_LEFT			
BITS	FIELD	RW	RESET	DEFINITION											
15:9	RSVD	RO	0x0	Reserved											
8	ADC_VOL_M6DB	RW	0x0	<p>ADC Volume Range Reduction</p> <p>This bit shifts both right and left analog ADC volume range down by 6.0 dB.</p> <p>0x0 = No change in ADC range</p> <p>0x1 = ADC range reduced by 6.0 dB</p>											

BITS	FIELD	RW	RESET	DEFINITION
7:4	ADC_VOL_RIGHT	RW	0x0	ADC Right Channel Volume Right channel analog ADC volume control in 1.5.0 dB steps. 0x0 = 0 dB 0x1 = +1.5 dB ... 0xF = +22.5 dB This range is -6.0 dB to +16.5 dB if <i>ADC_VOL_M6DB</i> is set to 1.
3:0	ADC_VOL_LEFT	RW	0x0	ADC Left Channel Volume Left channel analog ADC volume control in 1.5 dB steps. 0x0 = 0 dB 0x1 = +1.5 dB ... 0xF = +22.5 dB This range is -6.0 dB to +16.5 dB if <i>ADC_VOL_M6DB</i> is set to 1.

Table 25. CHIP_ANA_HP_CTRL 0x0022

15	14	13	12	11	10	9	8	7	6	5	4	3	2	1	0
RSVD	HP_VOL_RIGHT							RSVD	HP_VOL_LEFT						
BITS	FIELD	RW	RESET	DEFINITION											
15	RSVD	RO	0x0	Reserved											
14:8	HP_VOL_RIGHT	RW	0x18	Headphone Right Channel Volume Right channel headphone volume control with 0.5 dB steps. 0x00 = +12 dB 0x01 = +11.5 dB 0x18 = 0 dB ... 0x7F = -51.5 dB											
7	RSVD	RO	0x0	Reserved											
6:0	HP_VOL_LEFT	RW	0x18	Headphone Left Channel Volume Left channel headphone volume control with 0.5 dB steps. 0x00 = +12 dB 0x01 = +11.5 dB 0x18 = 0 dB ... 0x7F = -51.5 dB											

[Table 26](#) is an analog control register that includes mutes, input selects, and zero-cross-detectors for the ADC, headphone, and LINEOUT.

Table 26. 7.0.0.11. CHIP_ANA_CTRL 0x0024

15	14	13	12	11	10	9	8	7	6	5	4	3	2	1	0
RSVD							MUTE_LO	RSVD	SELECT_HP	EN_ZCD_HP	MUTE_HP	RSVD	SELECT_ADC	EN_ZCD_ADC	MUTE_ADC

BITS	FIELD	RW	RESET	DEFINITION
15:9	RSVD	RO	0x0	Reserved
8	MUTE_LO	RW	0x1	LINEOUT Mute 0x0 = Unmute 0x1 = Mute
7	RSVD	RO	0x0	Reserved
6	SELECT_HP	RW	0x0	Select the headphone input. 0x0 = DAC 0x1 = LINEIN
5	EN_ZCD_HP	RW	0x0	Enable the headphone zero cross detector (ZCD) 0x0 = HP ZCD disabled 0x1 = HP ZCD enabled
4	MUTE_HP	RW	0x1	Mute the headphone outputs 0x0 = Unmute 0x1 = Mute
3	RSVD	RO	0x0	Reserved
2	SELECT_ADC	RW	0x0	Select the ADC input. 0x0 = Microphone 0x1 = LINEIN
1	EN_ZCD_ADC	RW	0x0	Enable the ADC analog zero cross detector (ZCD) 0x0 = ADC ZCD disabled 0x1 = ADC ZCD enabled
0	MUTE_ADC	RW	0x1	Mute the ADC analog volume 0x0 = Unmute 0x1 = Mute

The [Table 27, CHIP_LINREG_CTRL 0x0026](#) register controls the VDDD linear regulator and the charge pump.

Table 27. CHIP_LINREG_CTRL 0x0026

15	14	13	12	11	10	9	8	7	6	5	4	3	2	1	0
RSVD									VDDC_MAN_ASSN	VDDC_ASSN_OVRD	RSVD	D_PROGRAMMING			
BITS	FIELD		RW	RESET	DEFINITION										
15:7	RSVD		RO	0x0	Reserved										
6	VDDC_MAN_ASSN		RW	0x0	Determines chargepump source when VDDC_ASSN_OVRD is set. 0x0 = VDDA 0x1 = VDDIO										
5	VDDC_ASSN_OVRD		RW	0x0	Charge pump Source Assignment Override 0x0 = Charge pump source is automatically assigned based on higher of VDDA and VDDIO 0x1 = the source of charge pump is manually assigned by VDDC_MAN_ASSN If VDDIO and VDDA are both the same and greater than 3.1 V, VDDC_ASSN_OVRD and VDDC_MAN_ASSN should be used to manually assign VDDIO as the source for charge pump.										
4	RSVD		RW	0x0	Reserved										
3:0	D_PROGRAMMING		RW	0x0	Sets the VDDD linear regulator output voltage in 50 mV steps. Must clear the LINREG_SIMPLE_POWERUP and STARTUP_POWERUP bits in the 0x0030 register after power-up, for this setting to produce the proper VDDD voltage. 0x0 = 1.60 0xF = 0.85										

The [Table 28. CHIP_REF_CTRL 0x0028](#) register controls the bandgap reference bias voltage and currents.

Table 28. CHIP_REF_CTRL 0x0028

15	14	13	12	11	10	9	8	7	6	5	4	3	2	1	0
RSVD						VAG_VAL					BIAS_CTRL			SMALL_POP	
BITS	FIELD		RW	RESET	DEFINITION										
15:9	RSVD		RO	0x0	Reserved										
8:4	VAG_VAL		RW	0x0	Analog Ground Voltage Control These bits control the analog ground voltage in 25 mV steps. This should usually be set to VDDA/2 or lower for best performance (maximum output swing at minimum THD). This VAG reference is also used for the DAC and ADC voltage reference. So changing this voltage scales the output swing of the DAC and the output signal of the ADC. 0x00 = 0.800 V 0x1F = 1.575 V										

BITS	FIELD	RW	RESET	DEFINITION
3:1	BIAS_CTRL	RW	0x0	<p>Bias control</p> <p>These bits adjust the bias currents for all of the analog blocks. By lowering the bias current a lower quiescent power is achieved. It should be noted that this mode can affect performance by 3-4 dB.</p> <p>0x0 = Nominal 0x1-0x3=+12.5% 0x4=-12.5% 0x5=-25% 0x6=-37.5% 0x7=-50%</p>
0	SMALL_POP	RW	0x0	<p>VAG Ramp Control</p> <p>Setting this bit slows down the VAG ramp from ~200 to ~400 ms to reduce the startup pop, but increases the turn on/off time.</p> <p>0x0 = Normal VAG ramp 0x1 = Slow down VAG ramp</p>

The [Table 29, CHIP_MIC_CTRL 0x002A](#) register controls the microphone gain and the internal microphone biasing circuitry.

Table 29. CHIP_MIC_CTRL 0x002A

15	14	13	12	11	10	9	8	7	6	5	4	3	2	1	0
RSVD						BIAS_RESISTOR		RSVD	BIAS_VOLT			RSVD		GAIN	

BITS	FIELD	RW	RESET	DEFINITION
15:10	RSVD	RO	0x0	Reserved
9:8	BIAS_RESISTOR	RW	0x0	<p>MIC Bias Output Impedance Adjustment</p> <p>Controls an adjustable output impedance for the microphone bias. If this is set to zero the micbias block is powered off and the output is highZ.</p> <p>0x0 = Powered off 0x1 = 2.0 kΩ 0x2 = 4.0 kΩ 0x3 = 8.0 kΩ</p>
7	RSVD	RO	0x0	Reserved
6:4	BIAS_VOLT	RW	0x0	<p>MIC Bias Voltage Adjustment</p> <p>Controls an adjustable bias voltage for the microphone bias amp in 250 mV steps. This bias voltage setting should be no more than VDDA-200 mV for adequate power supply rejection.</p> <p>0x0 = 1.25 V ... 0x7 = 3.00 V</p>
3:2	RSVD	RO	0x0	Reserved
1:0	GAIN	RW	0x0	<p>MIC Amplifier Gain</p> <p>Sets the microphone amplifier gain. At 0 dB setting the THD can be slightly higher than other paths- typically around ~65 dB. At other gain settings the THD are better.</p> <p>0x0 = 0 dB 0x1 = +20 dB 0x2 = +30 dB 0x3 = +40 dB</p>

Table 30. CHIP_LINE_OUT_CTRL 0x002C

15	14	13	12	11	10	9	8	7	6	5	4	3	2	1	0
RSVD				OUT_CURRENT				RSVD			LO_VAGCNTRL				
BITS		FIELD		RW	RESET	DEFINITION									
15:12		RSVD		RO	0x0	Reserved									
11:8		OUT_CURRENT		RW	0x0	Controls the output bias current for the LINEOUT amplifiers. The nominal recommended setting for a 10 kΩ load with 1.0 nF load cap is 0x3. There are only 5 valid settings. 0x0=0.18 mA, 0x1=0.27 mA, 0x3=0.36 mA, 0x7=0.45 mA, 0xF=0.54 mA									
7:6		RSVD		RO	0x0	Reserved									
5:0		LO_VAGCNTRL		RW	0x0	LINEOUT Amplifier Analog Ground Voltage Controls the analog ground voltage for the LINEOUT amplifiers in 25 mV steps. This should usually be set to VDDIO/2. 0x00 = 0.800 V ... 0x1F = 1.575 V ... 0x23 = 1.675 V 0x24-0x3F are invalid									

Table 31. CHIP_LINE_OUT_VOL 0x002E

15	14	13	12	11	10	9	8	7	6	5	4	3	2	1	0
RSVD				LO_VOL_RIGHT				RSVD			LO_VOL_LEFT				
BITS		FIELD		RW	RESET	DEFINITION									
15:13		RSVD		RO	0x0	Reserved									
12:8		LO_VOL_RIGHT		RW	0x4	LINEOUT Right Channel Volume Controls the right channel LINEOUT volume in 0.5 dB steps. Higher codes have more attenuation. See programming information for Left channel.									
7:5		RSVD		RO	0x0	Reserved									
4:0		LO_VOL_LEFT		RW	0x4	LINEOUT Left Channel Output Level The LO_VOL_LEFT is used to normalize the output level of the left line output to full scale based on the values used to set LINE_OUT_CTRL -> LO_VAGCNTRL and CHIP_REF_CTRL -> VAG_VAL. In general this field should be set to: $40 * \log((VAG_VAL)/(LO_VAGCNTRL)) + 15$ Table 32 shows suggested values based on typical VDDIO and VDDA voltages. After setting to the nominal voltage, this field can be used to adjust the output level in +/-0.5 dB increments by using values higher or lower than the nominal setting.									

Table 32. LINEOUT Output Level Values

VDDA	VAG_VAL	VDDIO	LO_VAGCNTRL	LO_VOL_*
1.8 V	0.9	3.3 V	1.55	0x06
1.8 V	0.9	1.8 V	0.9	0x0F
3.3 V	1.55	1.8 V	0.9	0x19
3.3 V	1.55	3.3 V	1.55	0x0F

The [Table 33. CHIP_ANA_POWER 0x0030](#) register contains all of the power down controls for the analog blocks. The only other power-down controls are BIAS_RESISTOR in

the MIC_CTRL register and the EN_ZCD control bits in ANA_CTRL.

Table 33. CHIP_ANA_POWER 0x0030

15	14	13	12	11	10	9	8	7	6	5	4	3	2	1	0
RSVD	DAC_MONO	LINREG_SIMPLE_POWERUP	STARTUP_POWERUP	VDDC_CHRGPMP_POWERUP	PLL_POWERUP	LINREG_D_POWERUP	VCOAMP_POWERUP	VAG_POWERUP	ADC_MONO	REFTOP_POWERUP	HEADPHONE_POWERUP	DAC_POWERUP	CAPLESS_HEADPHONE_POWERUP	ADC_POWERUP	LINEOUT_POWERUP

BITS	FIELD	RW	RESET	DEFINITION
15	RSVD	RW	0x0	Reserved
14	DAC_MONO	RW	0x1	While DAC_POWERUP is set, this allows the DAC to be put into left only mono operation for power savings. 0x0 = Mono (left only) 0x1 = Stereo
13	LINREG_SIMPLE_POWERUP	RW	0x1	Power up the simple (low power) digital supply regulator. After reset, this bit can be cleared IF VDDD is driven externally OR the primary digital linreg is enabled with LINREG_D_POWERUP 0x0 = Power down 0x1 = Power up
12	STARTUP_POWERUP	RW	0x1	Power up the circuitry needed during the power up ramp and reset. After reset this bit can be cleared if VDDD is coming from an external source. 0x0 = Power down 0x1 = Power up
11	VDDC_CHRGPMP_POWERUP	RW	0x0	Power up the VDDC charge pump block. If neither VDDA or VDDIO is 3.0 V or larger this bit should be cleared before analog blocks are powered up. 0x0 = Power down 0x1 = Power up Note that for charge pump to function, either the PLL must be powered on and programmed correctly (refer to CHIP_CLK_CTRL->MCLK_FREQ description) or the internal oscillator (set CLK_TOP_CTRL->ENABLE_INT_OSC) must be enabled
10	PLL_POWERUP	RW	0x0	PLL Power Up 0x0 = Power down 0x1 = Power up When cleared, the PLL is turned off. This must be set before CHIP_CLK_CTRL -> MCLK_FREQ is programmed to 0x3. The CHIP_PLL_CTRL register must be configured correctly before setting this bit.
9	LINREG_D_POWERUP	RW	0x0	Power up the primary VDDD linear regulator. 0x0 = Power down 0x1 = Power up

BITS	FIELD	RW	RESET	DEFINITION
8	VCOAMP_POWERUP	RW	0x0	Power up the PLL VCO amplifier. 0x0 = Power down 0x1 = Power up
7	VAG_POWERUP	RW	0x0	Power up the VAG reference buffer. Setting this bit starts the power up ramp for the headphone and LINEOUT. The headphone (and/or LINEOUT) powerup should be set BEFORE clearing this bit. When this bit is cleared the power-down ramp is started. The headphone (and/or LINEOUT) powerup should stay set until the VAG is fully ramped down (200 to 400 ms after clearing this bit). 0x0 = Power down 0x1 = Power up
6	ADC_MONO	RW	0x1	While ADC_POWERUP is set, this allows the ADC to be put into left only mono operation for power savings. This mode is useful when only using the microphone input. 0x0 = Mono (left only) 0x1 = Stereo
5	REFTOP_POWERUP	RW	0x1	Power up the reference bias currents 0x0 = Power down 0x1 = Power up This bit can be cleared when the part is a sleep state to minimize analog power.
4	HEADPHONE_POWERUP	RW	0x0	Power up the headphone amplifiers 0x0 = Power down 0x1 = Power up
3	DAC_POWERUP	RW	0x0	Power up the DACs 0x0 = Power down 0x1 = Power up
2	CAPLESS_HEADPHONE_POWERUP	RW	0x0	Power up the capless headphone mode 0x0 = Power down 0x1 = Power up
1	ADC_POWERUP	RW	0x0	Power up the ADCs 0x0 = Power down 0x1 = Power up
0	LINEOUT_POWERUP	RW	0x0	Power up the LINEOUT amplifiers 0x0 = Power down 0x1 = Power up

The [Table 34. CHIP_PLL_CTRL 0x0032](#) register may only be changed after reset, and before PLL_POWERUP is set.

Table 34. CHIP_PLL_CTRL 0x0032

15	14	13	12	11	10	9	8	7	6	5	4	3	2	1	0
INT_DIVISOR					FRAC_DIVISOR										
BITS	FIELD				RW	RESET	DEFINITION								
15:11	INT_DIVISOR				RW	0xA	This is the integer portion of the PLL divisor. To determine the value of this field, use the following calculation: $INT_DIVISOR = \text{FLOOR}(PLL_OUTPUT_FREQ/INPUT_FREQ)$ PLL_OUTPUT_FREQ = 180.6336 MHz if System sample rate = 44.1 kHz else PLL_OUTPUT_FREQ = 196.608 MHz if System sample rate != 44.1 kHz INPUT_FREQ = Frequency of the external MCLK provided if CHIP_CLK_TOP_CTRL->INPUT_FREQ_DIV2 = 0x0 else INPUT_FREQ = (Frequency of the external MCLK provided/2) If CHIP_CLK_TOP_CTRL->INPUT_FREQ_DIV2 = 0x1								
10:0	FRAC_DIVISOR				RW	0x0	This is the fractional portion of the PLL divisor. To determine the value of this field, use the following calculation: $FRAC_DIVISOR = ((PLL_OUTPUT_FREQ/INPUT_FREQ) - INT_DIVISOR)*2048$ PLL_OUTPUT_FREQ = 180.6336 MHz if System sample rate = 44.1 kHz else PLL_OUTPUT_FREQ = 196.608 MHz if System sample rate != 44.1 kHz INPUT_FREQ = Frequency of the external MCLK provided if CHIP_CLK_TOP_CTRL->INPUT_FREQ_DIV2 = 0x0 else INPUT_FREQ = (Frequency of the external MCLK provided/2) If CHIP_CLK_TOP_CTRL->INPUT_FREQ_DIV2 = 0x1								

[Table 35. CHIP_CLK_TOP_CTRL 0x0034](#) has the miscellaneous controls for the clock block.

Table 35. CHIP_CLK_TOP_CTRL 0x0034

15	14	13	12	11	10	9	8	7	6	5	4	3	2	1	0	
RSVD				ENABLE_INT_OSC	RSVD							INPUT_FREQ_DIV2	RSVD			
BITS	FIELD				RW	RESET	DEFINITION									
15:12	RESERVED				RO	0x0	Reserved									
11	ENABLE_INT_OSC				RW	0x0	Setting this bit enables an internal oscillator to be used for the zero cross detectors, the short detect recovery, and the charge pump. This allows the I ² S clock to be shut off while still operating an analog signal path. This bit can be kept on when the I ² S clock is enabled, but the I ² S clock is more accurate so it is preferred to clear this bit when I ² S is present.									
10:4	RSVD				RW	0x0	Reserved									

BITS	FIELD	RW	RESET	DEFINITION
3	INPUT_FREQ_DIV2	RW	0x0	SYS_MCLK divider before PLL input 0x0 = pass through 0x1 = SYS_MCLK is divided by 2 before entering PLL This must be set when the input clock is above 17 MHz. This has no effect when the PLL is powered down.
2:0	RSVD	RW	0x0	Reserved

Status bits for analog blocks are found in [Table 36.](#)
[CHIP_ANA_STATUS 0x0036](#)

Table 36. CHIP_ANA_STATUS 0x0036

15	14	13	12	11	10	9	8	7	6	5	4	3	2	1	0
RSVD						LRSHORT_STS	CSHORT_STS	RSVD			PLL_IS_LOCKED	RSVD			

BITS	FIELD	RW	RESET	DEFINITION
15:10	RSVD	RO	0x0	Reserved
9	LRSHORT_STS	RO	0x0	This bit is high whenever a short is detected on the left or right channel headphone drivers. 0x0 = Normal 0x1 = Short detected
8	CSHORT_STS	RO	0x0	This bit is high whenever a short is detected on the capless headphone common/center channel driver. 0x0 = Normal 0x1 = Short detected
7:5	RSVD	RO	0x0	Reserved
4	PLL_IS_LOCKED	RO	0x0	This bit goes high after the PLL is locked. 0x0 = PLL is not locked 0x1 = PLL is locked
3:0	RSVD	RO	0x0	Reserved

[Table 37.](#) [CHIP_ANA_TEST1 0x0038](#) and [Table 38.](#)
[CHIP_ANA_TEST2 0x003A](#) register controls are intended only for debug.

Table 37. CHIP_ANA_TEST1 0x0038

15	14	13	12	11	10	9	8	7	6	5	4	3	2	1	0
HP_IALL_ADJ		HP_I1_ADJ		HP_ANTIPOP			HP_CLASSAB	HP_HOLD_GND_CENTER	HP_HOLD_GND	VAG_DOUB_CURRENT	VAG_CLASSA	TM_ADCIN_TOHP	TM_HPCOMMON	TM_SELECT_MIC	TESTMODE

BITS	FIELD	RW	RESET	DEFINITION
15:14	HP_IALL_ADJ	RW	0x0	These bits control the overall bias current of the headphone amplifier (all stages including first and output stage). 0x0=nominal, 0x1=-50%, 0x2=+50%, 0x3=-40%
13:12	HP_I1_ADJ	RW	0x0	These bits control the bias current for the first stage of the headphone amplifier. 0x0=nominal, 0x1=-50%, 0x2=+100%, 0x3=+50%
11:9	HP_ANTIPOP	RW	0x0	These bits control the headphone output current in classA mode and also the pull-down strength while powering off. These bits normally are not needed.
8	HP_CLASSAB	RW	0x1	This defaults high. When this bit is high the headphone is in classAB mode. ClassA mode would normally not be used.
7	HP_HOLD_GND_C ENTER	RW	0x1	This defaults high. When this bit is high and the capless headphone center channel is powered off, the output is tied to ground. This is the preferred mode of operation for best antipop performance.
6	HP_HOLD_GND	RW	0x1	This defaults high. When this bit is high and the headphone is powered off, the output is tied to ground. This is the preferred mode of operation for best antipop performance.
5	VAG_DOUB_CURRE NT	RW	0x0	Double the VAG output current when in classA mode.
4	VAG_CLASSA	RW	0x0	Turn off the classAB output current for the VAG buffer. The classA current is limited so this may cause clipping in some modes.
3	TM_ADCIN_TOHP	RW	0x0	Put ADCmux output onto the headphone output pin. Must remove headphone load and any external headphone compensation for this mode.
2	TM_HPCOMMON	RW	0x0	Enable headphone common to be used in ADCmux for testing
1	TM_SELECT_MIC	RW	0x0	Enable the mic-adc-dac-HP path
0	TESTMODE	RW	0x0	Enable the analog test mode paths

Table 38. CHIP_ANA_TEST2 0x003A

15	14	13	12	11	10	9	8	7	6	5	4	3	2	1	0
RSVD	LINEOUT_TO_VDDA	SPARE	MONOMODE_DAC	VCO_TUNE_AGAIN	LO_PASS_MASTERVAG	INVERT_DAC_SAMPLE_CLOCK	INVERT_DAC_DATA_TIMING	DAC_EXTEND_RTZ	DAC_DOUBLE_I	DAC_DIS_RTZ	DAC_CLASSA	INVERT_ADC_SAMPLE_CLOCK	INVERT_ADC_DATA_TIMING	ADC_LESSI	ADC_DITHEROFF
BITS	FIELD	RW	RESET	DEFINITION											
15	RSVD	RO	0x0	Reserved											
14	LINEOUT_TO_VDDA	RW	0x0	Changes the LINEOUT amplifier power supply from VDDIO to VDDA. Typically LINEOUT should be on the higher power supply. This bit is useful when VDDA is ~3.3 V and VDDIO is ~1.8 V.											
13	SPARE	RW	0x0	Spare registers to analog.											
12	MONOMODE_DAC	RW	0x0	Copy the left channel DAC data to the right channel. This allows both left and right to play from MONO dac data.											
11	VCO_TUNE_AGAIN	RW	0x0	When toggled high then low forces the PLL VCO to retune the number of inverters in the ring oscillator loop.											

BITS	FIELD	RW	RESET	DEFINITION
10	LO_PASS_MASTERV AG	RW	0x0	Tie the main analog VAG to the LINEOUT VAG. This can improve SNR for the LINEOUT when both are the same voltage.
9	INVERT_DAC_SAMPL E_CLOCK	RW	0x0	Change the clock edge used for the DAC output sampling.
8	INVERT_DAC_DATA_ TIMING	RW	0x0	Change the clock edge used for the digital to analog DAC data crossing.
7	DAC_EXTEND_RTZ	RW	0x0	Extend the return-to-zero time for the DAC.
6	DAC_DOUBLE_I	RW	0x0	Double the output current of the DAC amplifier when it is in classA mode.
5	DAC_DIS_RTZ	RW	0x0	Turn off the return-to-zero in the DAC. In mode cases, this hurts the SNDR of the DAC.
4	DAC_CLASSA	RW	0x0	Turn off the classAB mode in the DAC amplifier. This mode should normally not be used. The output current is not high enough to support a full scale signal in this mode.
3	INVERT_ADC_SAMPL E_CLOCK	RW	0x0	Change the clock edge used for the ADC sampling.
2	INVERT_ADC_DATA_ TIMING	RW	0x0	Change the clock edge used for the analog to digital ADC data crossing
1	ADC_LESSI	RW	0x0	Drops ADC bias currents by 20%
0	ADC_DITHEROFF	RW	0x0	Turns off the ADC dithering.

The [Table 39. CHIP_SHORT_CTRL 0x003C](#) register contains controls for the headphone short detectors.

Table 39. CHIP_SHORT_CTRL 0x003C

15	14	13	12	11	10	9	8	7	6	5	4	3	2	1	0
RSVD	LVLADJR			RSVD	LVLADJL			RSVD	LVLADJC			MODE_LR		MODE_CM	

BITS	FIELD	RW	RESET	DEFINITION
15	RSVD	RO	0x0	Reserved
14:12	LVLADJR	RW	0x0	These bits adjust the sensitivity of the right channel headphone short detector in 25 mA steps. This trip point can vary by ~30% over process so leave plenty of guard band to avoid false trips. This short detect trip point is also effected by the bias current adjustments made by CHIP_REF_CTRL -> BIAS_CTRL and by CHIP_ANA_TEST1 -> HP_IALL_ADJ. 0x3=25 mA 0x2=50 mA 0x1=75 mA 0x0=100 mA 0x4=125 mA 0x5=150 mA 0x6=175 mA 0x7=200 mA
11	RSVD	RO	0x0	Reserved

BITS	FIELD	RW	RESET	DEFINITION
10:8	LVLADJL	RW	0x0	<p>These bits adjust the sensitivity of the left channel headphone short detector in 25 mA steps. This trip point can vary by ~30% over process so leave plenty of guard band to avoid false trips. This short detect trip point is also effected by the bias current adjustments made by CHIP_REF_CTRL -> BIAS_CTRL and by CHIP_ANA_TEST1 -> HP_IALL_ADJ.</p> <p>0x3=25 mA 0x2=50 mA 0x1=75 mA 0x0=100 mA 0x4=125 mA 0x5=150 mA 0x6=175 mA 0x7=200 mA</p>
7	RSVD	RO	0x0	Reserved
6:4	LVLADJC	RW	0x0	<p>These bits adjust the sensitivity of the capless headphone center channel short detector in 50 mA steps. This trip point can vary by ~30% over process so leave plenty of guard band to avoid false trips. This short detect trip point is also effected by the bias current adjustments CHIP_REF_CTRL -> BIAS_CTRL and by CHIP_ANA_TEST1 -> HP_IALL_ADJ.</p> <p>0x3=50 mA 0x2=100 mA 0x1=150 mA 0x0=200 mA 0x4=250 mA 0x5=300 mA 0x6=350 mA 0x7=400 mA</p>
3:2	MODE_LR	RW	0x0	<p>These bits control the behavior of the short detector for the capless headphone central channel driver. This mode should be set prior to powering up the headphone amplifier. When a short is detected the amplifier output switches to classA mode internally to avoid excessive currents.</p> <p>0x0 = Disable short detector, reset short detect latch, software view non-latched short signal 0x1 = Enable short detector and reset the latch at timeout (every ~50 ms) 0x2 = This mode is not used/invalid 0x3 = Enable short detector with only manual reset (have to return to 0x0 to reset the latch)</p>
1:0	MODE_CM	RW	0x0	<p>These bits control the behavior of the short detector for the capless headphone central channel driver. This mode should be set prior to powering up the headphone amplifier. When a short is detected the amplifier output switches to classA mode internally to avoid excessive currents.</p> <p>0x0 = Disable short detector, reset short detect latch, software view non-latched short signal 0x1 = Enable short detector and reset the latch at timeout (every ~50 ms) 0x2 = Enable short detector and auto reset when output voltage rises (preferred mode) 0x3 = Enable short detector with only manual reset (have to return to 0x0 to reset the latch)</p>

Table 40. DAP_CONTROL 0x0100

15	14	13	12	11	10	9	8	7	6	5	4	3	2	1	0
RSVD											MIX_EN	RSVD			DAP_EN
BITS	FIELD		RW	RESET	DEFINITION										
15:5	RSVD		RO	0x0	Reserved										
4	MIX_EN		RW	0x0	Enable/Disable the DAP mixer path 0x0 = Disable 0x1 = Enable When enabled, DAP_EN must also be enabled to use the mixer.										
3:1	RSVD		RO	0x0	Reserved										
0	DAP_EN		RW	0x0	Enable/Disable digital audio processing (DAP) 0x0 = Disable. When disabled, no audio passes through. 0x1 = Enable. When enabled, audio can pass through DAP even if none of the DAP functions are enabled.										

Table 41. DAP_PEQ 0x0102

15	14	13	12	11	10	9	8	7	6	5	4	3	2	1	0
RSVD													EN		
BITS	FIELD		RW	RESET	DEFINITION										
15:3	RSVD		RO	0x0	Reserved										
2:0	EN		RW	0x0	Set to Enable the PEQ filters 0x0 = Disabled 0x1 = 1 Filter Enabled 0x2 = 2 Filters Enabled 0x7 = Cascaded 7 Filters DAP_AUDIO_EQ->EN bit must be set to 1 in order to enable the PEQ										

Table 42. DAP_BASS_ENHANCE 0x0104

15	14	13	12	11	10	9	8	7	6	5	4	3	2	1	0
RSVD							BYPASS_HPF	RSVD	CUTOFF			RSVD			EN
BITS	FIELD		RW	RESET	DEFINITION										
15:9	RSVD		RO	0x0	Reserved										
8	BYPASS_HPF		RW	0x0	Bypass high pass filter 0x0 = Enable high pass filter 0x1 = Bypass high pass filter										
7	RSVD		RO	0x0	Reserved										

BITS	FIELD	RW	RESET	DEFINITION
6:4	CUTOFF	RW	0x4	Set cut-off frequency 0x0 = 80 Hz 0x1 = 100 Hz 0x2 = 125 Hz 0x3 = 150 Hz 0x4 = 175 Hz 0x5 = 200 Hz 0x6 = 225 Hz
3:1	RSVD	RO	0x0	Reserved
0	EN	RW	0x0	Enable/Disable Bass Enhance 0x0 = Disable 0x1 = Enable

Table 43. DAP_BASS_ENHANCE_CTRL 0x0106

15	14	13	12	11	10	9	8	7	6	5	4	3	2	1	0
RSVD		LR_LEVEL						RSVD		BASS_LEVEL					
BITS	FIELD	RW	RESET	DEFINITION											
15:14	RSVD	RO	0x0	Reserved											
13:8	LR_LEVEL	RW	0x5	Left/Right Mix Level Control 0x00= +6.0 dB for Main Channel 0x3F= Least L/R Channel Level											
7	RSVD	RO	0x0												
6:0	BASS_LEVEL	RW	0x1f	Bass Harmonic Level Control 0x00= Most Harmonic Boost 0x7F=Least Harmonic Boost											

Table 44. DAP_AUDIO_EQ 0x0108

15	14	13	12	11	10	9	8	7	6	5	4	3	2	1	0
RSVD														EN	
BITS	FIELD	RW	RESET	DEFINITION											
15:2	RSVD	RO	0x0	Reserved											
1:0	EN	RW	0x0	Selects between PEQ/GEQ/Tone Control and Enables it. 0x0 = Disabled. 0x1 = Enable PEQ. NOTE: DAP_PEQ->EN bit must also be set to the desired number of filters (bands) in order for the PEQ to be enabled. 0x2 = Enable Tone Control 0x3 = Enable 5 Band GEQ											

Table 45. DAP_SGTL_SURROUND 0x010A

15	14	13	12	11	10	9	8	7	6	5	4	3	2	1	0
RSVD									WIDTH_CONTROL			RSVD		SELECT	
BITS	FIELD		RW	RESET	DEFINITION										
15:7	RSVD		RO	0x0	Reserved										
6:4	WIDTH_CONTROL		RW	0x4	Freescale Surround Width Control - The width control changes the perceived width of the sound field. 0x0 = Least Width 0x7 = Most Width										
3:2	RSVD		RO	0x0	Reserved										
1:0	SELECT		RW	0x0	Freescale Surround Selection 0x0 = Disabled 0x1 = Disabled 0x2 = Mono input Enable 0x3 = Stereo input Enable										

Table 46. DAP_FILTER_COEF_ACCESS 0x010C

15	14	13	12	11	10	9	8	7	6	5	4	3	2	1	0
RSVD							WR	INDEX							
BITS	FIELD		RW	RESET	DEFINITION										
15:9	RSVD		RO	0x0	Reserved										
8	WR		WO	0x0	When set, the coefficients written in the ten coefficient data registers are loaded into the filter specified by INDEX										
7:0	INDEX		RW	0x0	Specifies the index for each of the seven bands of the filter coefficient that needs to be written to. Each filter has 5 coefficients that need to be loaded into the 10 coefficient registers (MSB, LSB) before setting the index and WR bit. Steps to write coefficients: 1. Write the five 20-bit coefficient values to DAP_COEF_WR_XX_MSB and DAP_COEF_WR_XX_LSB registers (XX= B0,B1,B2,A1,A2) 2. Set INDEX of the coefficient from the table below. 3. Set the WR bit to load the coefficient. NOTE: Steps 2 and 3 can be performed with a single write to DAP_FILTER_COEF_ACCESS register. Coefficient address: Band 0 = 0x00 Band 1 = 0x01 Band 2 = 0x02 Band 3 = 0x03 Band 4 = 0x04 ... Band 7 = 0x06										

Table 47. DAP_COEF_WR_B0_MSB 0x010E

15	14	13	12	11	10	9	8	7	6	5	4	3	2	1	0
BIT_19	BIT_18	BIT_17	BIT_16	BIT_15	BIT_14	BIT_13	BIT_12	BIT_11	BIT_10	BIT_9	BIT_8	BIT_7	BIT_6	BIT_5	BIT_4
BITS	FIELD		RW	RESET	DEFINITION										
15	BIT_19		WO	0x0	Most significant 16-bits of the 20-bit filter coefficient that needs to be written										
14	BIT_18		WO	0x0											
13	BIT_17		WO	0x0											
12	BIT_16		WO	0x0											
11	BIT_15		WO	0x0											
10	BIT_14		WO	0x0											
9	BIT_13		WO	0x0											
8	BIT_12		WO	0x0											
7	BIT_11		WO	0x0											
6	BIT_10		WO	0x0											
5	BIT_9		WO	0x0											
4	BIT_8		WO	0x0											
3	BIT_7		WO	0x0											
2	BIT_6		WO	0x0											
1	BIT_5		WO	0x0											
0	BIT_4		WO	0x0											

Table 48. DAP_COEF_WR_B0_LSB 0x0110

15	14	13	12	11	10	9	8	7	6	5	4	3	2	1	0
RSVD												BIT_3	BIT_2	BIT_1	BIT_0
BITS	FIELD		RW	RESET	DEFINITION										
15:4	RSVD		RO	0x0											
3	BIT_3		WO	0x0											
2	BIT_2		WO	0x0											
1	BIT_1		WO	0x0											
0	BIT_0		WO	0x0	Least significant 4 bits of the 20-bit filter coefficient that needs to be written.										

Table 49. DAP_AUDIO_EQ_BASS_BAND0 0x0116 115 Hz

15	14	13	12	11	10	9	8	7	6	5	4	3	2	1	0
RSVD									VOLUME						
BITS		FIELD		RW	RESET	DEFINITION									
15:7		RSVD		RO	0x0	Reserved									
6:0		VOLUME		RW	0x2F	Sets Tone Control Bass/GEQ Band0 0x5F = sets to 12 dB 0x2F = sets to 0 dB 0x00 = sets to -11.75 dB Each LSB is 0.25 dB									

Table 50. DAP_AUDIO_EQ_BAND1 0x0118 330 Hz

15	14	13	12	11	10	9	8	7	6	5	4	3	2	1	0
RSVD									VOLUME						
BITS		FIELD		RW	RESET	DEFINITION									
15:7		RSVD		RO	0x0	Reserved									
6:0		VOLUME		RW	0x2F	Sets GEQ Band1 0x5F = sets to 12 dB 0x2F = sets to 0 dB 0x00 = sets to -11.75 dB Each LSB is 0.25 dB									

Table 51. DAP_AUDIO_EQ_BAND2 0x011A 990 Hz

15	14	13	12	11	10	9	8	7	6	5	4	3	2	1	0
RSVD									VOLUME						
BITS		FIELD		RW	RESET	DEFINITION									
15:7		RSVD		RO	0x0	Reserved									
6:0		VOLUME		RW	0x2F	Sets GEQ Band2 0x5F = sets to 12 dB 0x2F = sets to 0 dB 0x00 = sets to -11.75 dB Each LSB is 0.25 dB									

Table 52. DAP_AUDIO_EQ_BAND3 0x011C 3000 Hz

15	14	13	12	11	10	9	8	7	6	5	4	3	2	1	0
RSVD									VOLUME						
BITS	FIELD			RW	RESET	DEFINITION									
15:7	RSVD			RO	0x0	Reserved									
6:0	VOLUME			RW	0x2F	Sets GEQ Band3 0x5F = sets to 12 dB 0x2F = sets to 0 dB 0x00 = sets to -11.75 dB Each LSB is 0.25 dB									

Table 53. DAP_AUDIO_EQ_TREBLE_BAND4 0x011E 9900 Hz

15	14	13	12	11	10	9	8	7	6	5	4	3	2	1	0
RSVD									VOLUME						
BITS	FIELD			RW	RESET	DEFINITION									
15:7	RSVD			RO	0x0	Reserved									
6:0	VOLUME			RW	0x2F	Sets Tone Control Treble/GEQ Band4 0x5F = sets to 12 dB 0x2F = sets to 0 dB 0x00 = sets to -11.75 dB Each LSB is 0.25 dB									

[Table 54. DAP_MAIN_CHAN 0x0120](#) sets the main channel volume level

Table 54. DAP_MAIN_CHAN 0x0120

15	14	13	12	11	10	9	8	7	6	5	4	3	2	1	0
VOL															
BITS	FIELD			RW	RESET	DEFINITION									
15:0	VOL			RW	0x8000	DAP Main Channel Volume 0xFFFF = 200% 0x8000 (default) = 100% 0x0000 = 0%									

[Table 55. DAP_MIX_CHAN 0x0122](#) sets the mix channel volume level

Table 55. DAP_MIX_CHAN 0x0122

15	14	13	12	11	10	9	8	7	6	5	4	3	2	1	0
VOL															
BITS	FIELD			RW	RESET	DEFINITION									
15:0	VOL			RW	0x0000	DAP Mix Channel Volume 0xFFFF = 200% 0x8000 = 100% 0x0000 (default) = 0%									

Table 56. DAP_AVC_CTRL 0x0124

15	14	13	12	11	10	9	8	7	6	5	4	3	2	1	0
RSVD	RSVD	MAX_GAIN		RSVD		LBI_RESPONSE		RSVD		HARD_LIMIT_EN	RSVD				EN

BITS	FIELD	RW	RESET	DEFINITION
15	RSVD	RO	0x0	Reserved
14	RSVD	RW	0x1	Reserved.
13:12	MAX_GAIN	RW	0x1	Maximum gain that can be applied by the AVC in expander mode. 0x0 = 0 dB gain 0x1 = 6.0 dB of gain 0x2 = 12 dB of gain
11:10	RSVD	RO	0x0	Reserved
9:8	LBI_RESPONSE	RW	0x1	Integrator Response 0x0 = 0 mS LBI 0x1 = 25 mS LBI 0x2 = 50 mS LBI 0x3 = 100 mS LBI
7:6	RSVD	RO	0x0	Reserved
5	HARD_LIMIT_EN	RW	0x0	Enable Hard Limiter Mode 0x0 = Hard limit disabled. AVC Compressor/Expander is enabled. 0x1 = Hard limit enabled. The signal is limited to the programmed threshold. (Signal saturates at the threshold)
4:1	RSVD	RO	0x0	Reserved
0	EN	RW	0x0	Enable/disable AVC 0x0 = Disable 0x1 = Enable

Table 57. DAP_AVC_THRESHOLD 0x0126

15	14	13	12	11	10	9	8	7	6	5	4	3	2	1	0
THRESH															

BITS	FIELD	RW	RESET	DEFINITION
15:0	THRESH	RW	0x1473	AVC Threshold Value Threshold is programmable. Use the following formula to calculate hex value: Hex Value = ((10^(THRESHOLD_dB/20))*0.636)*2^15 Threshold can be set in the range of 0 dB to -96 dB Example Values: 0x1473 = Set Threshold to -12 dB 0x0A40 = Set Threshold to -18 dB

Table 58. DAP_AVC_ATTACK 0x0128

15	14	13	12	11	10	9	8	7	6	5	4	3	2	1	0
RSVD				RATE											
BITS	FIELD			RW	RESET	DEFINITION									
15:12	RSVD			RO	0x0	Reserved									
11:0	RATE			RW	0x28	<p>AVC Attack Rate</p> <p>This is the rate at which the AVC applies attenuation to the signal to bring it to the threshold level. AVC Attack Rate is programmable. To use a custom rate, use the formula below to convert from dB/S to hex value:</p> $\text{Hex Value} = (1 - (10^{-(\text{Rate_dBs}/(20*\text{SYS_FS})))) * 2^{19}$ <p>where, SYS_FS is the system sample rate configured in CHIP_CLK_CTRL register.</p> <p>Example values:</p> <p>0x28 = 32 dB/s</p> <p>0x10 = 8.0 dB/s</p> <p>0x05 = 4.0 dB/s</p> <p>0x03 = 2.0 dB/s</p>									

Table 59. DAP_AVC_DECAY 0x012A

15	14	13	12	11	10	9	8	7	6	5	4	3	2	1	0
RSVD				RATE											
BITS	FIELD			RW	RESET	DEFINITION									
15:12	RSVD			RO	0x0	Reserved									
11:0	RATE			RW	0x50	<p>AVC Decay Rate</p> <p>This is the rate at which the AVC releases the attenuation previously applied to the signal during attack. AVC Decay Rate is programmable. To use a custom rate, use the formula below to convert from dB/S to hex value:</p> $\text{Hex Value} = (1 - (10^{-(\text{Rate_dBs}/(20*\text{SYS_FS})))) * 2^{23}$ <p>where, SYS_FS is the system sample rate configured in CHIP_CLK_CTRL register.</p> <p>Example values:</p> <p>0x284 = 32 dB/s</p> <p>0xA0 = 8.0 dB/s</p> <p>0x50 = 4.0 dB/s</p> <p>0x28 = 2.0 dB/s</p>									

Table 60. DAP_COEF_WR_B1_MSB 0x012C

15	14	13	12	11	10	9	8	7	6	5	4	3	2	1	0
MSB															
BITS	FIELD			RW	RESET	DEFINITION									
15:0	MSB			RW	0x0	Most significant 16-bits of the 20-bit filter coefficient that needs to be written									

Table 61. DAP_COEF_WR_B1_LSB 0x012E

15	14	13	12	11	10	9	8	7	6	5	4	3	2	1	0
RSVD												LSB			
BITS	FIELD	RW	RESET	DEFINITION											
15:4	RSVD	RO	0x0	Reserved											
3:0	LSB	RW	0x0	Least significant 4 bits of the 20-bit filter coefficient that needs to be written.											

Table 62. DAP_COEF_WR_B2_MSB 0x0130

15	14	13	12	11	10	9	8	7	6	5	4	3	2	1	0
MSB															
BITS	FIELD	RW	RESET	DEFINITION											
15:0	MSB	RW	0x0	Most significant 16-bits of the 20-bit filter coefficient that needs to be written											

Table 63. DAP_COEF_WR_B2_LSB 0x0132

15	14	13	12	11	10	9	8	7	6	5	4	3	2	1	0
RSVD												LSB			
BITS	FIELD	RW	RESET	DEFINITION											
15:4	RSVD	RO	0x0	Reserved											
3:0	LSB	RW	0x0	Least significant 4 bits of the 20-bit filter coefficient that needs to be written.											

Table 64. DAP_COEF_WR_A1_MSB 0x0134

15	14	13	12	11	10	9	8	7	6	5	4	3	2	1	0
MSB															
BITS	FIELD	RW	RESET	DEFINITION											
15:0	MSB	RW	0x0	Most significant 16-bits of the 20-bit filter coefficient that needs to be written											

Table 65. DAP_COEF_WR_A1_LSB 0x0136

15	14	13	12	11	10	9	8	7	6	5	4	3	2	1	0
RSVD												LSB			
BITS	FIELD	RW	RESET	DEFINITION											
15:4	RSVD	RO	0x0	Reserved											
3:0	LSB	RW	0x0	Least significant 4 bits of the 20-bit filter coefficient that needs to be written.											

Table 66. DAP_COEF_WR_A2_MSB 0x0138

15	14	13	12	11	10	9	8	7	6	5	4	3	2	1	0
MSB															
BITS	FIELD	RW	RESET	DEFINITION											
15:0	MSB	RW	0x0	Most significant 16-bits of the 20-bit filter coefficient that needs to be written											

Table 67. DAP_COEF_WR_A2_LSB 0x013A

15	14	13	12	11	10	9	8	7	6	5	4	3	2	1	0
RSVD												LSB			
BITS	FIELD	RW	RESET	DEFINITION											
15:4	RSVD	RO	0x0	Reserved											
3:0	LSB	RW	0x0	Least significant 4 bits of the 20-bit filter coefficient that needs to be written.											

TYPICAL APPLICATIONS

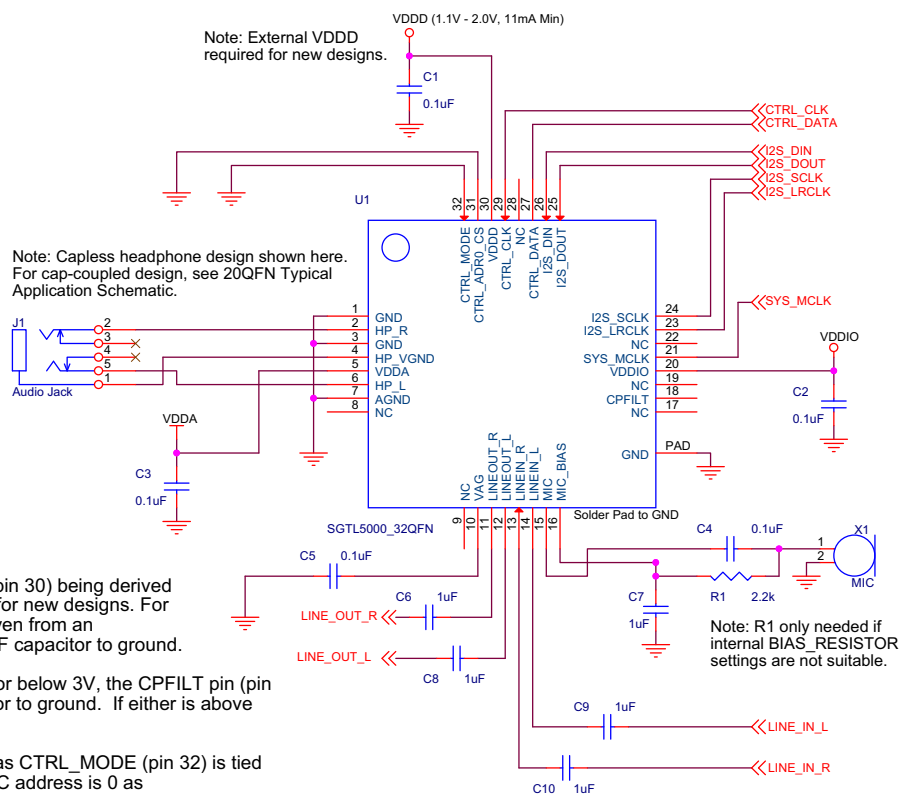
INTRODUCTION

Typical connections are shown in the following application diagrams. For new designs, and for either the 20 QFN or 32 QFN part, an external VDDD power supply connection is required along with a 0.1 μF cap connection from VDDD to ground.

CPFILT Note: The CPFILT cap value is 0.1 μF . If both VDDIO and VDDA are $\leq 3.0\text{ V}$, the CPFILT pin must be

connected to a 0.1 μF cap to GND. If either is $> 3.0\text{ V}$, the CPFILT cap MUST NOT be placed.

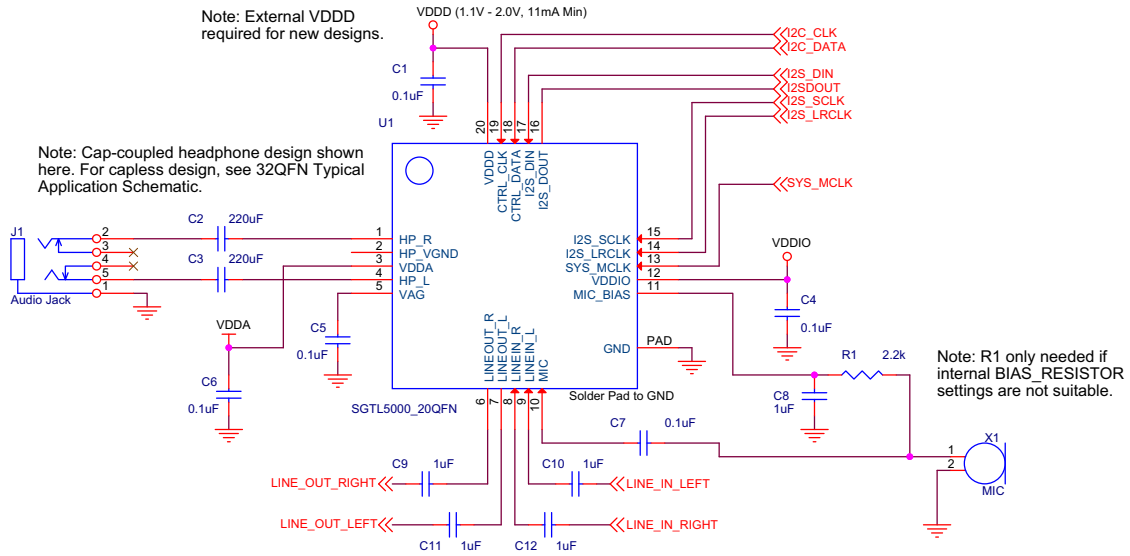
HP_VGND Note: Do not connect HP_VGND to system ground, even when unused. This is a virtual ground (DC voltage) that should never connect to an actual "0 Volt ground". Use the widest, shortest trace possible for the HP_VGND.



Notes:

1. This 32QFN schematic shows VDDD (pin 30) being derived externally. An external VDDD is required for new designs. For lowest power operation, VDDD can be driven from an external 1.2V switching supply with a 0.1 μF capacitor to ground.
2. If both VDDIO and VDDA are equal to or below 3V, the CPFILT pin (pin 17) must be connected to a 0.1 μF capacitor to ground. If either is above 3V, this capacitor must not be placed.
3. The above shows I2C implementation as CTRL_MODE (pin 32) is tied to ground. In addition, address 0 of the I2C address is 0 as CTRL_ADRO_CS (pin 31) is tied to ground.
4. AGND (pin 7) should be "star" connected to the jack grounds for LINEIN and LINEOUT, and to the VAG capacitor ground. This node should via to the ground plane (or connected to ground) at a single point.

Figure 19. 32 QFN Typical Application Schematic



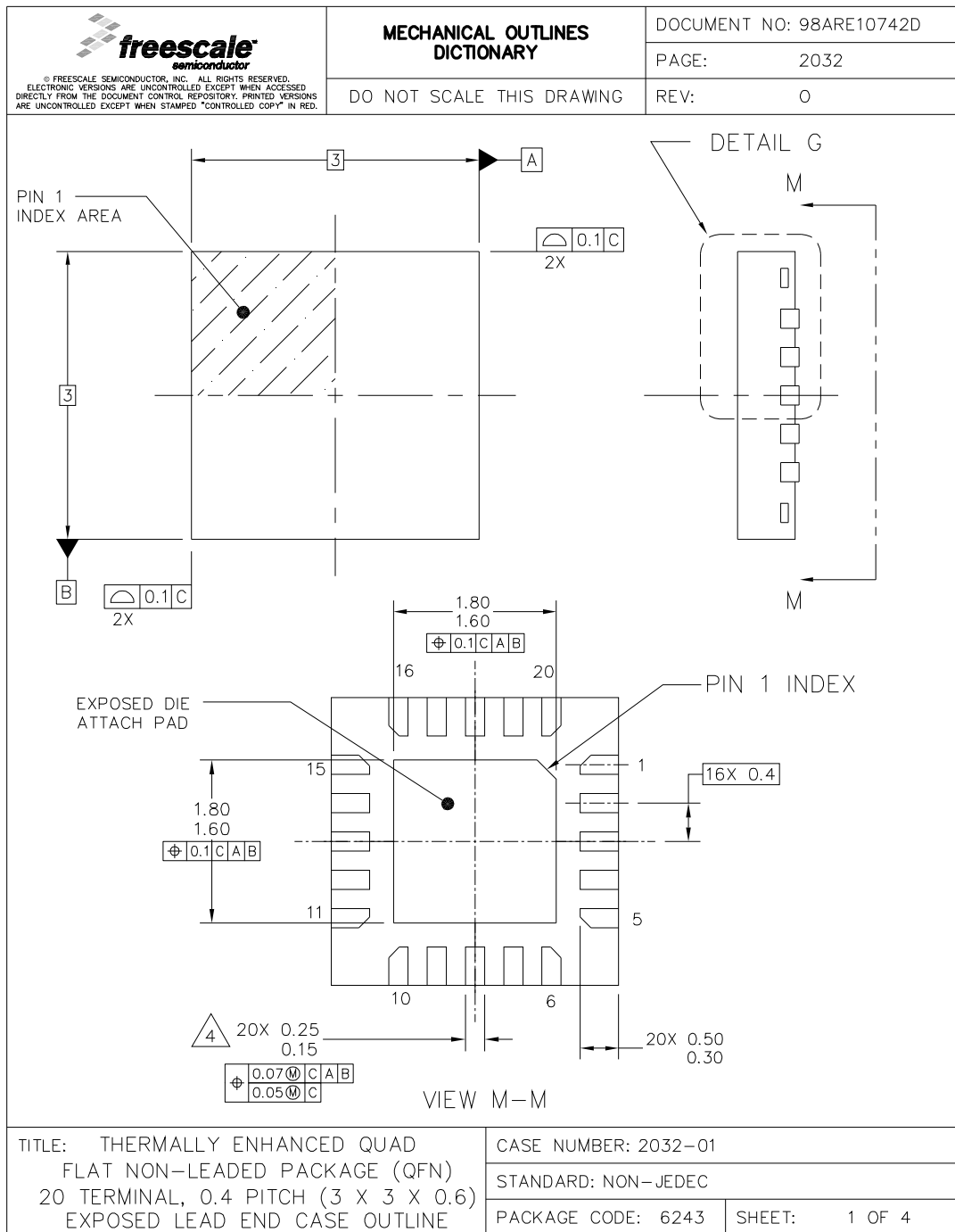
Note: Bottom PAD/FLAG/Paddle MUST be connected to ground.

Figure 20. 20 QFN Typical Application Schematic

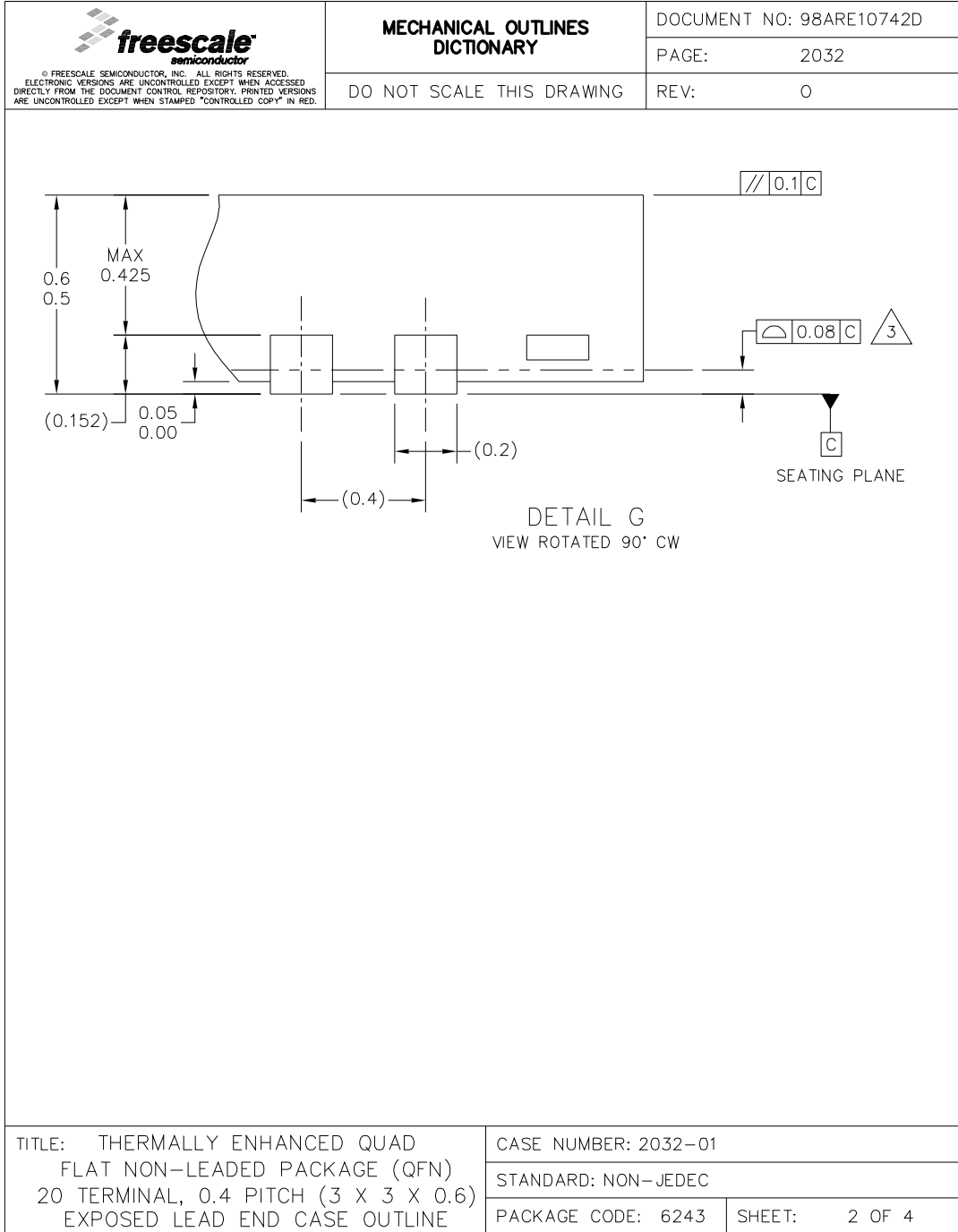
PACKAGING

PACKAGE DIMENSIONS


For the most current package revision, visit www.freescale.com and perform a keyword search using the 98Axxxxxxx listed on the following pages.



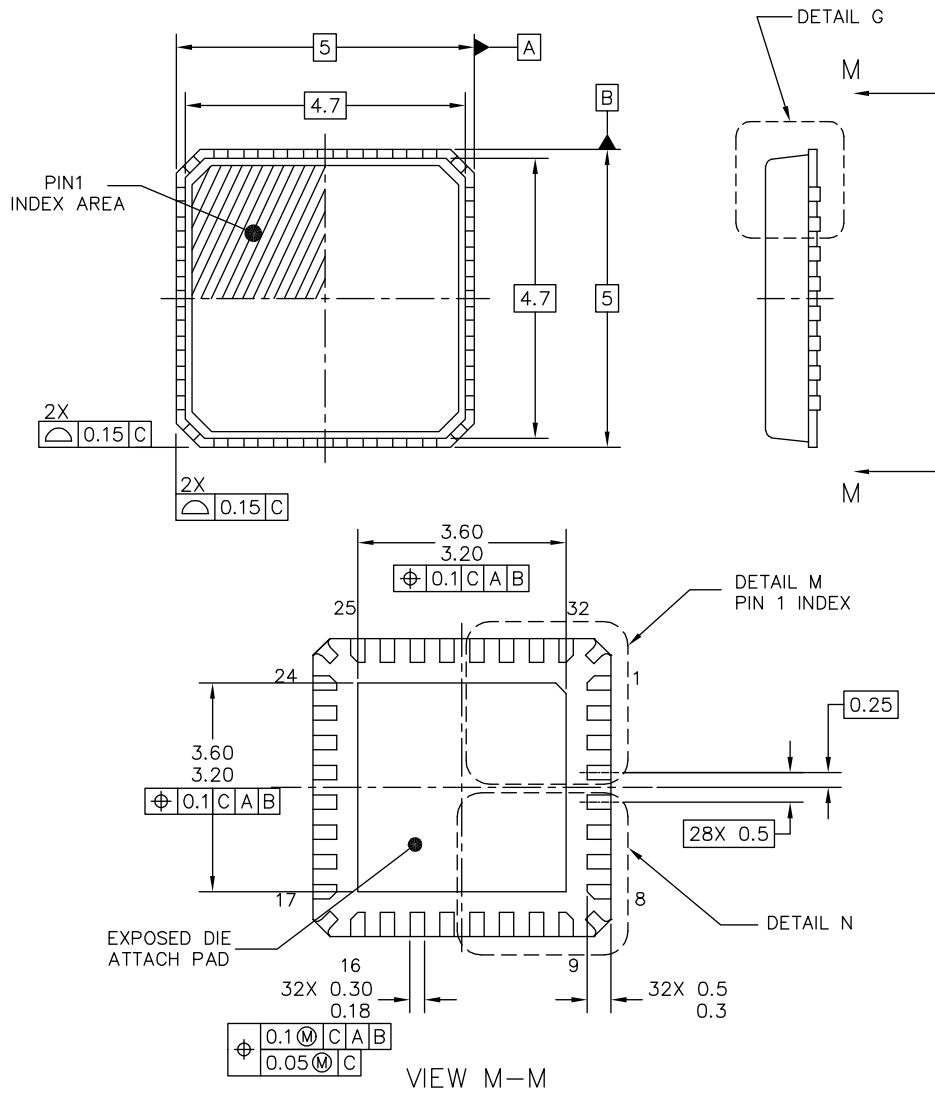
EP SUFFIX
20-PIN
98ARE10742D
REVISION 0



EP SUFFIX
20-PIN
98ARE10742D
REVISION 0

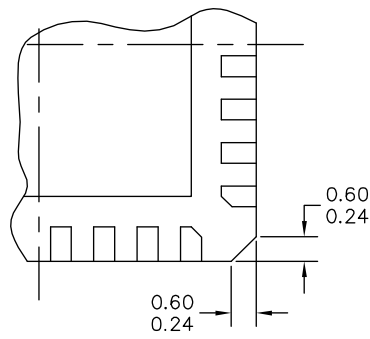
 <small>© FREESCALE SEMICONDUCTOR, INC. ALL RIGHTS RESERVED. ELECTRONIC VERSIONS ARE UNCONTROLLED EXCEPT WHEN ACCESSED DIRECTLY FROM THE DOCUMENT CONTROL REPOSITORY. PRINTED VERSIONS ARE UNCONTROLLED EXCEPT WHEN STAMPED "CONTROLLED COPY" IN RED.</small>	MECHANICAL OUTLINES DICTIONARY		DOCUMENT NO: 98ARE10742D	
	DO NOT SCALE THIS DRAWING		PAGE:	2032
			REV:	0
<p>NOTES:</p> <ol style="list-style-type: none"> 1. ALL DIMENSIONS ARE IN MILLIMETERS. 2. INTERPRET DIMENSIONS AND TOLERANCES PER ASME Y14.5M-1994. 3. COPLANARITY APPLIES TO LEADS, CORNER LEADS, AND DIE ATTACH PAD. 4. DIMENSION APPLIES TO PLATED TERMINAL AND IS MEASURED BETWEEN 0.20 MM AND 0.25 MM FROM TERMINAL TIP. 5. MIN. METAL GAP SHOULD BE 0.2MM. 				
TITLE: THERMALLY ENHANCED QUAD FLAT NON-LEADED PACKAGE (QFN) 20 TERMINAL, 0.4 PITCH (3 X 3 X 0.6) EXPOSED LEAD END CASE OUTLINE			CASE NUMBER: 2032-01 STANDARD: NON-JEDEC	
			PACKAGE CODE: 6243	SHEET: 3 OF 4

EP SUFFIX
20-PIN
98ARE10742D
REVISION 0

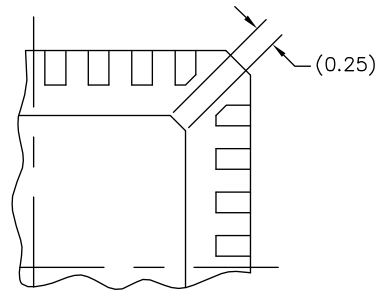


© FREESCALE SEMICONDUCTOR, INC. ALL RIGHTS RESERVED.	MECHANICAL OUTLINE	PRINT VERSION NOT TO SCALE	
TITLE: THERMALLY ENHANCED QUAD FLAT NON-LEADED PACKAGE (QFN) 32 TERMINAL, 0.5 PITCH (5 X 5 X 1)	DOCUMENT NO: 98ARE10739D	REV: 0	
	CASE NUMBER: 2029-01	15 MAY 2008	
	STANDARD: JEDEC MO-220 VHHD-5		

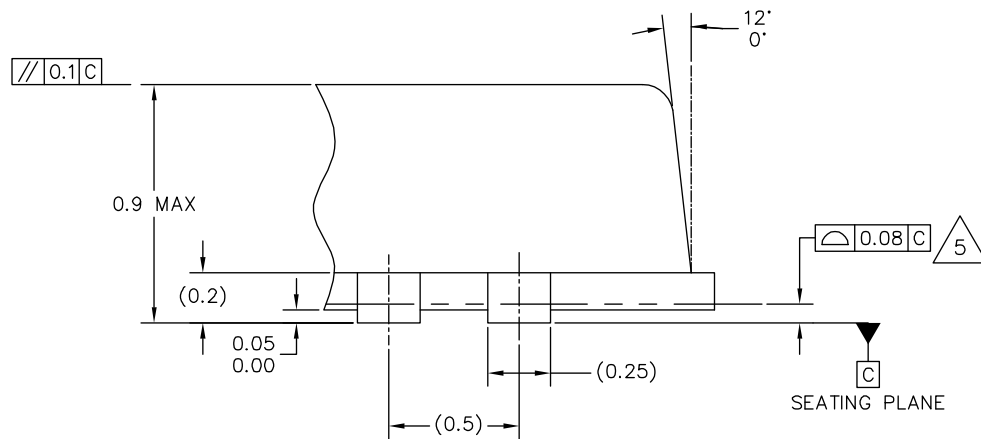
FC SUFFIX
32-PIN
98ARE10739D
REVISION 0



DETAIL N
CORNER CONFIGURATION OPTION



DETAIL M
PREFERRED BACKSIDE PIN 1 INDEX



DETAIL G
VIEW ROTATED 90° CW

© FREESCALE SEMICONDUCTOR, INC. ALL RIGHTS RESERVED.	MECHANICAL OUTLINE	PRINT VERSION NOT TO SCALE
TITLE: THERMALLY ENHANCED QUAD FLAT NON-LEADED PACKAGE (QFN) 32 TERMINAL, 0.5 PITCH (5 X 5 X 1)	DOCUMENT NO: 98ARE10739D	REV: 0
	CASE NUMBER: 2029-01	15 MAY 2008
	STANDARD: JEDEC MO-220 VHHD-5	

FC SUFFIX
32-PIN
98ARE10739D
REVISION 0

NOTES:

1. ALL DIMENSIONS ARE IN MILLIMETERS.
2. DIMENSIONING AND TOLERANCING PER ASME Y14.5M-1994.
3. THE COMPLETE JEDEC DESIGNATOR FOR THIS PACKAGE IS: HF-PQFN.
4. DIMENSIONS OF OPTIONAL FEATURES ARE FOR REFERENCE ONLY.
5. COPLANARITY APPLIES TO LEADS, AND DIE ATTACH PAD.
6. MIN METAL GAP SHOULD BE 0.2MM.

© FREESCALE SEMICONDUCTOR, INC. ALL RIGHTS RESERVED.	MECHANICAL OUTLINE	PRINT VERSION NOT TO SCALE	
TITLE: THERMALLY ENHANCED QUAD FLAT NON-LEADED PACKAGE (QFN) 32 TERMINAL, 0.5 PITCH (5 X 5 X 1)	DOCUMENT NO: 98ARE10739D	REV: 0	
	CASE NUMBER: 2029-01	15 MAY 2008	
	STANDARD: JEDEC MO-220 VHHD-5		

FC SUFFIX
 32-PIN
 98ARE10739D
 REVISION 0

REVISION HISTORY

REVISION	DATE	DESCRIPTION
3.0	6/2010	<ul style="list-style-type: none"> Conversion from the old Freescale form and style to the current version. No existing content has been added, altered, or removed.
4.0	9/2010	<ul style="list-style-type: none"> Corrected Pin 4 explanation (32-pin package) and added Pin 3 (32-Pin package) to Table 1.
5.0	5/2013	<ul style="list-style-type: none"> Corrected LINEOUT - 100 dB SNR (-60 dB input) and -85 dB THD+N (VDDIO = 3.3 V) in features Added note for HP_VGND and CPFILT in pin definition table Moved Recommended Operating Conditions to separate table Added Input/Output Electrical Characteristics Corrected LINEIN Input Level from 0.75 to 0.57 Corrected Table 7 Test Conditions unless otherwise noted: VDDIO = 1.8 V, VDDA = 1.8 V, TA = 25 °C, Slave mode, fS = 48 kHz, MCLK = 256 fS, 24 bit input Added note for HP_VGND and CPFILT to Typical Applications introduction Corrected pin nomenclature as required for consistency Clarified Bits 3:0 in Figure 27 Corrected pin name in Figure 3 and Table 1 Corrected address name in Figure 6, I2C, SPI Changed limits on LINEOUT Output level Changed 0x00 = sets to 12 dB to 11.75 dB, and deleted "To convert dB to hex value, use Hex Value = 4* dB value + 47" on tables 49, 50, 51, 52 and 53. Revised back page. Updated document properties. Added SMARTMOS sentence to first paragraph. Added comment for "new designs" where applicable Corrected pin designations in the Pin Connections section Changed limits and conditions for LINEOUT Output level and LINEOUT Output level Added two new application diagrams in Typical Applications section
6.0	11/2013	<ul style="list-style-type: none"> Modified front page intro text to include more target markets and to remove type of IC technology Increased HP max output power from 45 mW to 62.5 mW at 1.02 kHz based on bench measurements Changed TYP LINEIN input impedance from 100kohm to 29 kohm at 1.02 kHz based on bench measurements Added MIC input impedance based on bench measurements Removed 10 kohm MIN LINEIN input impedance, and added 29 kohm as TYP in Table 5 and Table 6 Added 12 kHz sample rate to Functional Description Introduction, and added 12 kHz and 24 kHz sample rates to Table 8



How to Reach Us:

Home Page:
freescale.com

Web Support:
freescale.com/support

Information in this document is provided solely to enable system and software implementers to use Freescale products. There are no express or implied copyright licenses granted hereunder to design or fabricate any integrated circuits based on the information in this document.

Freescale reserves the right to make changes without further notice to any products herein. Freescale makes no warranty, representation, or guarantee regarding the suitability of its products for any particular purpose, nor does Freescale assume any liability arising out of the application or use of any product or circuit, and specifically disclaims any and all liability, including without limitation consequential or incidental damages. "Typical" parameters that may be provided in Freescale data sheets and/or specifications can and do vary in different applications, and actual performance may vary over time. All operating parameters, including "typicals," must be validated for each customer application by customer's technical experts. Freescale does not convey any license under its patent rights nor the rights of others. Freescale sells products pursuant to standard terms and conditions of sale, which can be found at the following address: freescale.com/SalesTermsandConditions.

Freescale and the Freescale logo, are trademarks of Freescale Semiconductor, Inc., Reg. U.S. Pat. & Tm. Off. All other product or service names are the property of their respective owners.

© 2013 Freescale Semiconductor, Inc.

Document Number: SGTL5000
Rev. 6.0
11/2013

