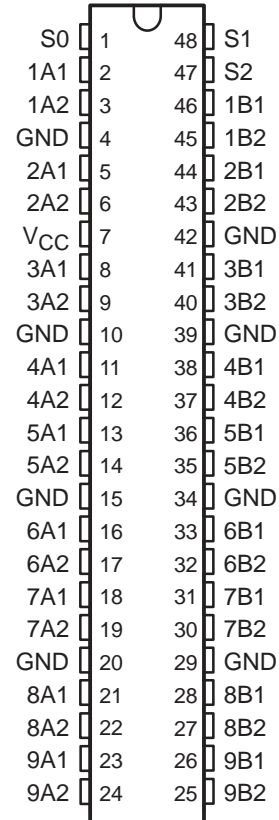


SN54CBT16209, SN74CBT16209 18-BIT BUS-EXCHANGE SWITCHES

SCDS006G – NOVEMBER 1992 – REVISED JUNE 1996

- 5-Ω Switch Connection Between Two Ports
- TTL-Compatible Input and Output Levels
- Package Options Include Plastic Thin Shrink Small-Outline (DGG), 300-mil Shrink Small-Outline (DL), and 380-mil Fine-Pitch Ceramic Flat (WD) Packages

SN54CBT16209 . . . WD PACKAGE
SN74CBT16209 . . . DGG OR DL PACKAGE
(TOP VIEW)



description

The 'CBT16209 provide 18 bits of high-speed TTL-compatible bus switching or exchanging. The low on-state resistance of the switch allows connections to be made with minimal propagation delay.

The devices operate as an 18-bit bus switch or a 9-bit bus exchanger, which provides data exchanging between the four signal ports via the data-select (S0–S2) terminals.

The SN54CBT16209 is characterized for operation from –55°C to 125°C. The SN74CBT16209 is characterized for operation from –40°C to 85°C.

FUNCTION TABLE

S2	S1	S0	A1	A2	FUNCTION
L	L	L	Z	Z	Disconnect
L	L	H	B1	Z	A1 to B1
L	H	L	B2	Z	A1 to B2
L	H	H	Z	B1	A2 to B1
H	L	L	Z	B2	A2 to B2
H	L	H	Z	Z	Disconnect
H	H	L	B1	B2	A1 to B1, A2 to B2
H	H	H	B2	B1	A1 to B2, A2 to B1



Please be aware that an important notice concerning availability, standard warranty, and use in critical applications of Texas Instruments semiconductor products and disclaimers thereto appears at the end of this data sheet.

PRODUCTION DATA information is current as of publication date. Products conform to specifications per the terms of Texas Instruments standard warranty. Production processing does not necessarily include testing of all parameters.

 **TEXAS
INSTRUMENTS**

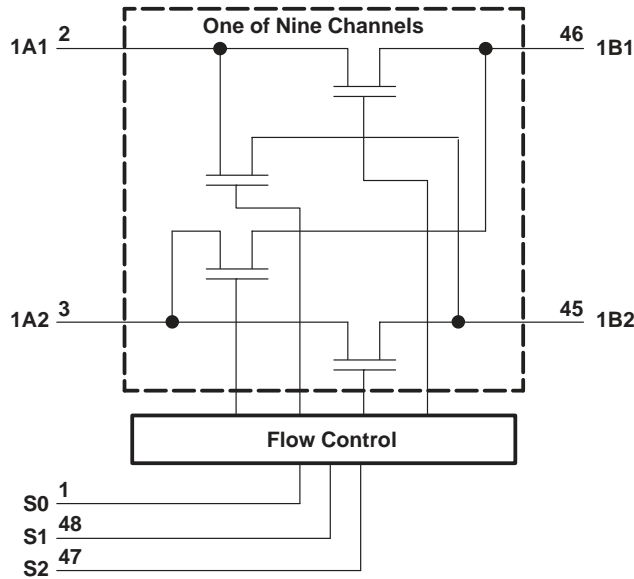
POST OFFICE BOX 655303 • DALLAS, TEXAS 75265

Copyright © 1996, Texas Instruments Incorporated

SN54CBT16209, SN74CBT16209 18-BIT BUS-EXCHANGE SWITCHES

SCDS006G – NOVEMBER 1992 – REVISED JUNE 1996

logic diagram



absolute maximum ratings over operating free-air temperature range (unless otherwise noted)†

Supply voltage range, V_{CC}	-0.5 V to 7 V
Input voltage range, V_I (see Note 1)	-0.5 V to 7 V
Continuous channel current	128 mA
Input clamp current, I_{IK} ($V_I < 0$)	-50 mA
Maximum power dissipation at $T_A = 55^\circ\text{C}$ (in still air) (see Note 2): DGG package	0.85 W
DL package	1.2 W
Storage temperature range, T_{stg}	-65°C to 150°C

† Stresses beyond those listed under “absolute maximum ratings” may cause permanent damage to the device. These are stress ratings only, and functional operation of the device at these or any other conditions beyond those indicated under “recommended operating conditions” is not implied. Exposure to absolute-maximum-rated conditions for extended periods may affect device reliability.

NOTES: 1. The input and output negative-voltage ratings may be exceeded if the input and output clamp-current ratings are observed.
 2. The maximum package power dissipation is calculated using a junction temperature of 150°C and a board trace length of 750 mils. For more information, refer to the *Package Thermal Considerations* application note in the *ABT Advanced BiCMOS Technology Data Book*.

recommended operating conditions

		SN54CBT16209		SN74CBT16209		UNIT
		MIN	MAX	MIN	MAX	
V_{CC}	Supply voltage	4	5.5	4	5.5	V
V_{IH}	High-level input voltage	2		2		V
V_{IL}	Low-level input voltage		0.8		0.8	V
T_A	Operating free-air temperature	-55	125	-40	85	$^\circ\text{C}$



POST OFFICE BOX 655303 • DALLAS, TEXAS 75265

SN54CBT16209, SN74CBT16209 18-BIT BUS-EXCHANGE SWITCHES

SCDS006G – NOVEMBER 1992 – REVISED JUNE 1996

electrical characteristics over recommended operating free-air temperature range (unless otherwise noted)

PARAMETER		TEST CONDITIONS		MIN	TYP†	MAX	UNIT
V_{IK}		$V_{CC} = 4.5\text{ V}$,	$I_I = -18\text{ mA}$			-1.2	V
I_I		$V_{CC} = 0$,	$V_I = 5.5\text{ V}$			10	μA
		$V_{CC} = 5.5\text{ V}$,	$V_I = 5.5\text{ V or GND}$			± 1	
I_{CC}		$V_{CC} = 5.5\text{ V}$,	$I_O = 0$,			3	μA
$\Delta I_{CC}‡$	Control pins	$V_{CC} = 5.5\text{ V}$,	One input at 3.4 V,	Other inputs at V_{CC} or GND		2.5	mA
C_i	Control pins	$V_I = 3\text{ V or 0}$				4	pF
$C_{io}(\text{OFF})$		$V_O = 3\text{ V or 0}$,	$S_0, S_1, \text{ or } S_2 = V_{CC}$			7.5	pF
$r_{on}§$		$V_{CC} = 4.5\text{ V}$	$V_I = 0$,	$I_I = 64\text{ mA}$	4	8	Ω
			$V_I = 0$,	$I_I = 30\text{ mA}$	4	8	
			$V_I = 2.4\text{ V}$,	$I_I = 15\text{ mA}$	6	15	

† All typical values are at $V_{CC} = 5\text{ V}$, $T_A = 25^\circ\text{C}$.

‡ This is the increase in supply current for each input that is at the specified TTL voltage level rather than V_{CC} or GND.

§ Measured by the voltage drop between the A and B terminals at the indicated current through the switch. On-state resistance is determined by the lower of the voltages of the two (A or B) terminals.

switching characteristics over recommended operating free-air temperature range, $C_L = 50\text{ pF}$ (unless otherwise noted) (see Figure 1)

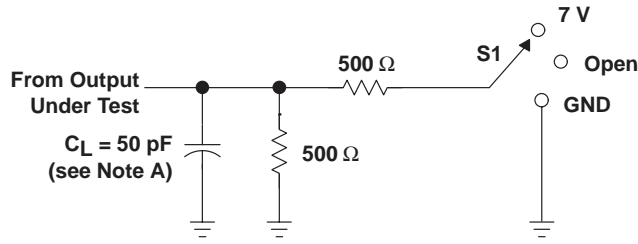
PARAMETER	FROM (INPUT)	TO (OUTPUT)	SN54CBT16209				SN74CBT16209				UNIT
			$V_{CC} = 5\text{ V} \pm 0.5\text{ V}$		$V_{CC} = 4\text{ V}$		$V_{CC} = 5\text{ V} \pm 0.5\text{ V}$		$V_{CC} = 4\text{ V}$		
			MIN	MAX	MIN	MAX	MIN	MAX	MIN	MAX	
$t_{pd}¶$	A or B	B or A	0.8				0.25		0.25		ns
t_{pd}	S		2	13.1	14		2.6	10.2	11.3		
t_{en}	S	A or B	1.7	15.3	16		2.7	10.6	11.5		ns
t_{dis}	S	A or B	1	13.2	14.5		1.2	11.3	12.1		ns

¶ This parameter is warranted but not production tested. The propagation delay is based on the RC time constant of the typical on-state resistance of the switch and a load capacitance of 50 pF, when driven by an ideal voltage source (zero output impedance).

SN54CBT16209, SN74CBT16209 18-BIT BUS-EXCHANGE SWITCHES

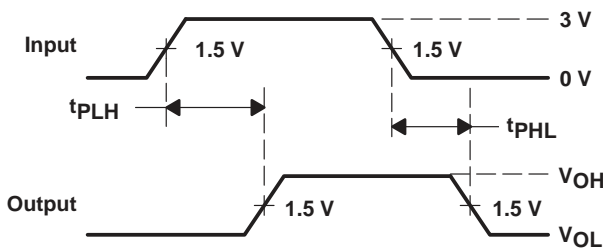
SCDS006G – NOVEMBER 1992 – REVISED JUNE 1996

PARAMETER MEASUREMENT INFORMATION

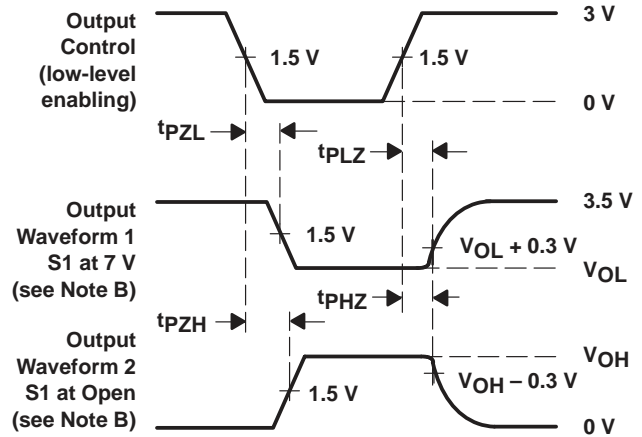


LOAD CIRCUIT

TEST	S1
t_{pd}	Open
t_{PLZ}/t_{PZL}	7 V
t_{PHZ}/t_{PZH}	Open



VOLTAGE WAVEFORMS
PROPAGATION DELAY TIMES



VOLTAGE WAVEFORMS
ENABLE AND DISABLE TIMES

- NOTES:
- A. C_L includes probe and jig capacitance.
 - B. Waveform 1 is for an output with internal conditions such that the output is low except when disabled by the output control. Waveform 2 is for an output with internal conditions such that the output is high except when disabled by the output control.
 - C. All input pulses are supplied by generators having the following characteristics: $PRR \leq 10$ MHz, $Z_O = 50 \Omega$, $t_r \leq 2.5$ ns, $t_f \leq 2.5$ ns.
 - D. The outputs are measured one at a time with one transition per measurement.
 - E. t_{PLZ} and t_{PHZ} are the same as t_{dis} .
 - F. t_{PZL} and t_{PZH} are the same as t_{en} .
 - G. t_{PLH} and t_{PHL} are the same as t_{pd} .

Figure 1. Load Circuit and Voltage Waveforms

IMPORTANT NOTICE

Texas Instruments and its subsidiaries (TI) reserve the right to make changes to their products or to discontinue any product or service without notice, and advise customers to obtain the latest version of relevant information to verify, before placing orders, that information being relied on is current and complete. All products are sold subject to the terms and conditions of sale supplied at the time of order acknowledgement, including those pertaining to warranty, patent infringement, and limitation of liability.

TI warrants performance of its semiconductor products to the specifications applicable at the time of sale in accordance with TI's standard warranty. Testing and other quality control techniques are utilized to the extent TI deems necessary to support this warranty. Specific testing of all parameters of each device is not necessarily performed, except those mandated by government requirements.

CERTAIN APPLICATIONS USING SEMICONDUCTOR PRODUCTS MAY INVOLVE POTENTIAL RISKS OF DEATH, PERSONAL INJURY, OR SEVERE PROPERTY OR ENVIRONMENTAL DAMAGE ("CRITICAL APPLICATIONS"). TI SEMICONDUCTOR PRODUCTS ARE NOT DESIGNED, AUTHORIZED, OR WARRANTED TO BE SUITABLE FOR USE IN LIFE-SUPPORT DEVICES OR SYSTEMS OR OTHER CRITICAL APPLICATIONS. INCLUSION OF TI PRODUCTS IN SUCH APPLICATIONS IS UNDERSTOOD TO BE FULLY AT THE CUSTOMER'S RISK.

In order to minimize risks associated with the customer's applications, adequate design and operating safeguards must be provided by the customer to minimize inherent or procedural hazards.

TI assumes no liability for applications assistance or customer product design. TI does not warrant or represent that any license, either express or implied, is granted under any patent right, copyright, mask work right, or other intellectual property right of TI covering or relating to any combination, machine, or process in which such semiconductor products or services might be or are used. TI's publication of information regarding any third party's products or services does not constitute TI's approval, warranty or endorsement thereof.