

GloTek, Inc. www.globtek.com 186 Veterans Drive, Northvale, NJ 07647 Tel. (201) 784-1000 Fax (201) 784-0111	Drawing Title: EUROPE CEE 7/7 (TYPE E), KOREA KSC-8305 DOWN ANGLE to IEC320-C13, Non-rewireable, KSC 8305 + ENEC, GT Cable #427INTL: 1.0mmsq / 3 Conductors, 6.8±0.2mm OD, H05VV-F, 70° Deg.C, 500V, Blue, Brown, Green/Yellow Strip, Approvals: K60227-7 and EN50525-11, IEC 60227, 2500±20mm, GlobTek Black	
	Model No. Power Cord	
Part No./Ordering No. 23134272M5701EUKR(R)		Rev A

CUSTOMIZED LENGTHS, COLORS, CABLE TYPES, TERMINATIONS/PLUGS/RECEPTACLES AVAILABLE UPON REQUEST. ADDITIONAL PLUG OPTIONS ARE AVAILABLE AT <https://www.globtek.com/connectors/> STANDARD PLUGS AND CONNECTORS CAN BE SEEN ONLINE AT <https://www.globtek.com/connectors/> ACTUAL CONNECTORS, OVERMOLDS, FERRITES MAY VARY SLIGHTLY FROM THE PICTURE BELOW DIMENSIONS ARE IN MM UNLESS SPECIFIED OTHERWISE

In Addition to GlobTek Inc.'s renewed ISO9001:2008 - Quality Management System Certification, GlobTek Inc. is now certified to:

ISO13485:2003 - Medical Devices Quality Management System Certification
ISO14001:2004 - Environmental Management System Certification

ISO Certificates are available online at <https://www.globtek.com/iso-certificates/>
Prop 65 Statement: <https://en.globtek.com/prop-65-statement.pdf>

The acceptance of this specification and use of the product described in this document indicates the acceptance and binding of the customer to Globtek TERMS AND CONDITIONS (attached to the end of this document), which supersede all other agreements, terms, and conditions (<https://en.globtek.com/terms-and-conditions/>).

The purchaser of this product (Customer) agrees that it is their sole responsibility to determine suitability/fitness of the product described in this specification for their application and to take precautions for protection against any hazards attendant to the handling and use of the product.

Footnote:

GlobTek Inc. will not be liable for the safety and performance of these power supplies if unauthorized access and repair occurs. End user should consult applicable UL, CSA or EN standards for proper installation instruction.

Limitation of Use:

GlobTek products are intended for use with commercial, medical, and/or industrial equipment only. GlobTek product are not authorized for use as mission critical components in life support hazardous environment, nuclear or aircraft applications without prior written approval from the CEO of GlobTek Inc.
Contents of this document are subject to change without prior notice.

Customer Approval of Specification:

Please approve, sign and send back to GlobTek so we can complete order processing.
A delay in receipt of this form will delay delivery schedule.

Company Name: _____	Customer P/N: _____
Quote Number: _____	Date: _____
Authorized Representative Name: _____	Authorized Representative Signature: _____

GlobTek, Inc. www.globtek.com 186 Veterans Drive, Northvale, NJ 07647 Tel. (201) 784-1000 Fax (201) 784-0111	Drawing Title: EUROPE CEE 7/7 (TYPE E), KOREA KSC-8305 DOWN ANGLE to IEC320-C13, Non-rewireable, KSC 8305 + ENEC, GT Cable #427INTL: 1.0mmsq / 3 Conductors, 6.8±0.2mm OD, H05VV-F, 70° Deg.C, 500V, Blue, Brown, Green/Yellow Strip, Approvals: K60227-7 and EN50525-11, IEC 60227, 2500±20mm, GlobTek Black	
	Model No. Power Cord	
Part No./Ordering No. 23134272M5701EUKR(R)		Rev A

CUSTOMIZED LENGTHS, COLORS, CABLE TYPES, TERMINATIONS/PLUGS/RECEPTACLES AVAILABLE UPON REQUEST. ADDITIONAL PLUG OPTIONS ARE AVAILABLE AT <https://www.globtek.com/connectors/> STANDARD PLUGS AND CONNECTORS CAN BE SEEN ONLINE AT <https://www.globtek.com/connectors/> ACTUAL CONNECTORS, OVERMOLDS, FERRITES MAY VARY SLIGHTLY FROM THE PICTURE BELOW DIMENSIONS ARE IN MM UNLESS SPECIFIED OTHERWISE

REVISION HISTORY

REV	DESCRIPTION	SUB	DATE	APPROVED
A	Initial release	QA	12/14/2021	QA

Cordset Information:

CordsetColor:GlobTek Black

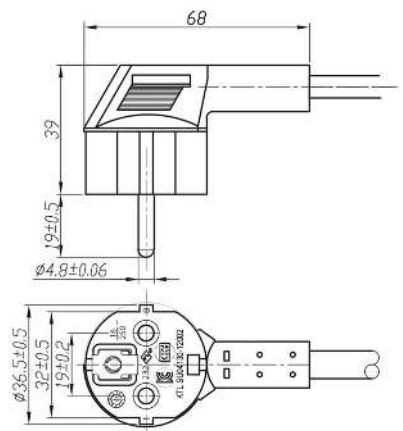
Cord Length (mm):2500±20

NOTES:

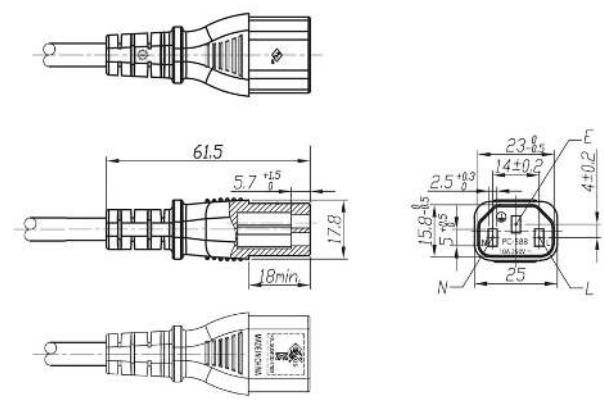
GlobTek, Inc. www.globtek.com 186 Veterans Drive, Northvale, NJ 07647 Tel. (201) 784-1000 Fax (201) 784-0111	Drawing Title: EUROPE CEE 7/7 (TYPE E), KOREA KSC-8305 DOWN ANGLE to IEC320-C13, Non-rewireable, KSC 8305 + ENEC, GT Cable #427INTL: 1.0mmsq / 3 Conductors, 6.8±0.2mm OD, H05VV-F, 70° Deg.C, 500V, Blue, Brown, Green/Yellow Strip, Approvals: K60227-7 and EN50525-11, IEC 60227, 2500±20mm, GlobTek Black	
	Model No. Power Cord Part No./Ordering No. 23134272M5701EUKR(R)	Rev A

CUSTOMIZED LENGTHS, COLORS, CABLE TYPES, TERMINATIONS/PLUGS/RECEPTACLES AVAILABLE UPON REQUEST. ADDITIONAL PLUG OPTIONS ARE AVAILABLE AT <https://www.globtek.com/connectors/> STANDARD PLUGS AND CONNECTORS CAN BE SEEN ONLINE AT <https://www.globtek.com/connectors/> ACTUAL CONNECTORS, OVERMOLDS, FERRITES MAY VARY SLIGHTLY FROM THE PICTURE BELOW DIMENSIONS ARE IN MM UNLESS SPECIFIED OTHERWISE

END A



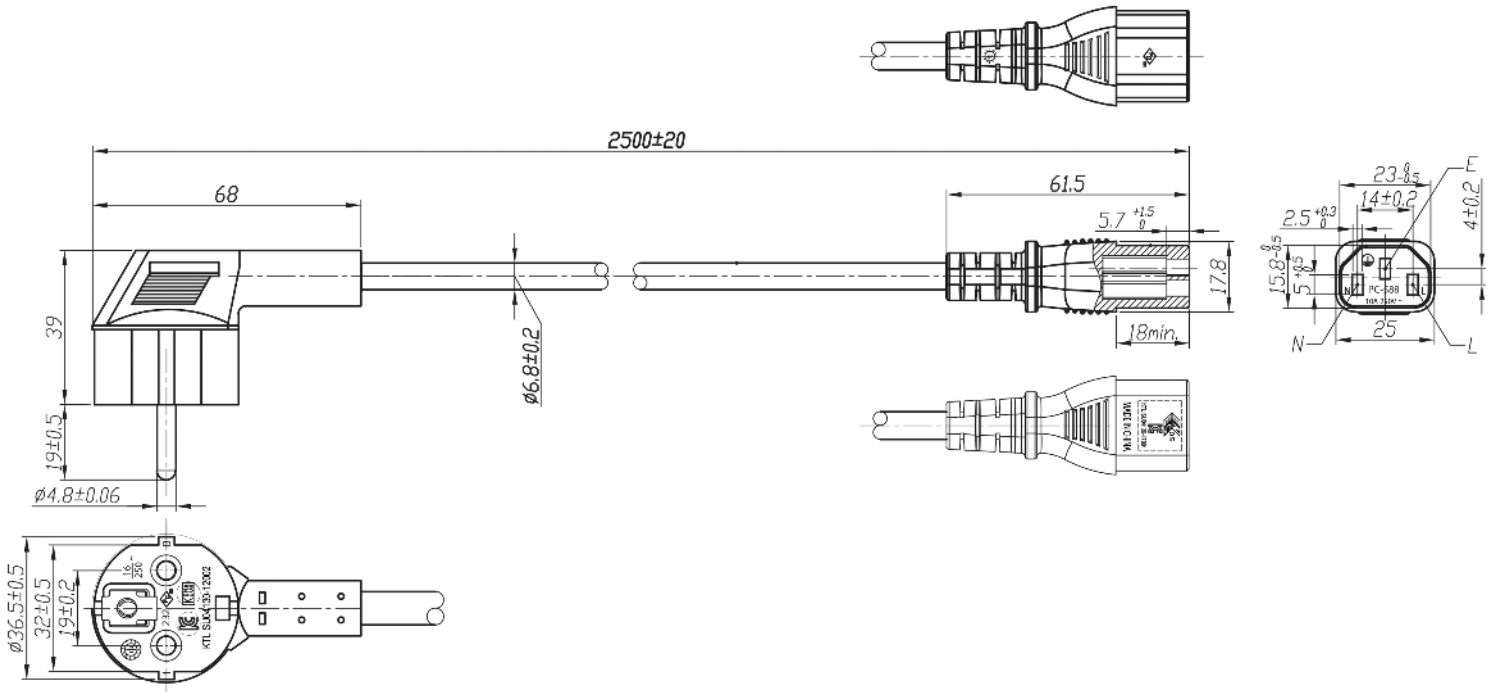
END B



<p>GlobTek, Inc. www.globtek.com 186 Veterans Drive, Northvale, NJ 07647 Tel. (201) 784-1000 Fax (201) 784-0111</p>	<p>Drawing Title: EUROPE CEE 7/7 (TYPE E), KOREA KSC-8305 DOWN ANGLE to IEC320-C13, Non-rewireable, KSC 8305 + ENEC, GT Cable #427INTL: 1.0mmsq / 3 Conductors, 6.8±0.2mm OD, H05VV-F, 70° Deg.C, 500V, Blue, Brown, Green/Yellow Strip, Approvals: K60227-7 and EN50525-11, IEC 60227, 2500±20mm, GlobTek Black</p> <p>Model No. Power Cord</p> <p>Part No./Ordering No. 23134272M5701EUKR(R)</p>	<p>Rev A</p>
---	--	--------------

CUSTOMIZED LENGTHS, COLORS, CABLE TYPES, TERMINATIONS/PLUGS/RECEPTACLES AVAILABLE UPON REQUEST. ADDITIONAL PLUG OPTIONS ARE AVAILABLE AT <https://www.globtek.com/connectors/> STANDARD PLUGS AND CONNECTORS CAN BE SEEN ONLINE AT <https://www.globtek.com/connectors/> ACTUAL CONNECTORS, OVERMOLDS, FERRITES MAY VARY SLIGHTLY FROM THE PICTURE BELOW DIMENSIONS ARE IN MM UNLESS SPECIFIED OTHERWISE

CABLE IMAGE



GlobTek, Inc. www.globtek.com 186 Veterans Drive, Northvale, NJ 07647 Tel. (201) 784-1000 Fax (201) 784-0111	Drawing Title: EUROPE CEE 7/7 (TYPE E), KOREA KSC-8305 DOWN ANGLE to IEC320-C13, Non-rewireable, KSC 8305 + ENEC, GT Cable #427INTL: 1.0mmsq / 3 Conductors, 6.8±0.2mm OD, H05VV-F, 70° Deg.C, 500V, Blue, Brown, Green/Yellow Strip, Approvals: K60227-7 and EN50525-11, IEC 60227, 2500±20mm, GlobTek Black	
	Model No. Power Cord	Part No./Ordering No. 23134272M5701EUKR(R)
		Rev A








CUSTOMIZED LENGTHS, COLORS, CABLE TYPES, TERMINATIONS/PLUGS/RECEPTACLES AVAILABLE UPON REQUEST. ADDITIONAL PLUG OPTIONS ARE AVAILABLE AT <https://www.globtek.com/connectors/> STANDARD PLUGS AND CONNECTORS CAN BE SEEN ONLINE AT <https://www.globtek.com/connectors/> ACTUAL CONNECTORS, OVERMOLDS, FERRITES MAY VARY SLIGHTLY FROM THE PICTURE BELOW DIMENSIONS ARE IN MM UNLESS SPECIFIED OTHERWISE

End A Code:2313EUR-KR Description:EUROPE CEE 7/7 (TYPE E), KOREA KSC-8305 DOWN ANGLE Rating (V):250 Rating (A):16.0 Gender:Male Overmolded:Yes	Cable Code:427INTL Description:GT Cable #427INTL: 1.0mmsq / 3 Conductors, 6.8±0.2mm OD, H05VV-F, 70° Deg.C, 500V, Blue, Brown, Green/Yellow Strip, Approvals: K60227-7 and EN50525-11, IEC 60227 Color:GlobTek Black Wire Gauge(AWG):1.0mmsq Cond:3 Type:H05VV-F Temperature:70° C Amps:10 Volts:500 OD:6.8±0.2 ConductorsColors:Blue, Brown, Green/Yellow Strip	End B Code:701EUKR Description:IEC320-C13, Non-rewireable, KSC 8305 + ENEC Rating (V):250 Rating (A):16.0 Gender:Female Overmolded:Yes
---	--	--

Overall cable rating:10A 250V

GlobTek, Inc. www.globtek.com 186 Veterans Drive, Northvale, NJ 07647 Tel. (201) 784-1000 Fax (201) 784-0111	Drawing Title: EUROPE CEE 7/7 (TYPE E), KOREA KSC-8305 DOWN ANGLE to IEC320-C13, Non-rewireable, KSC 8305 + ENEC, GT Cable #427INTL: 1.0mmsq / 3 Conductors, 6.8±0.2mm OD, H05VV-F, 70° Deg.C, 500V, Blue, Brown, Green/Yellow Strip, Approvals: K60227-7 and EN50525-11, IEC 60227, 2500±20mm, GlobTek Black	
	Model No. Power Cord	Part No./Ordering No. 23134272M5701EUKR(R)
		Rev A

CUSTOMIZED LENGTHS, COLORS, CABLE TYPES, TERMINATIONS/PLUGS/RECEPTACLES AVAILABLE UPON REQUEST. ADDITIONAL PLUG OPTIONS ARE AVAILABLE AT <https://www.globtek.com/connectors/> STANDARD PLUGS AND CONNECTORS CAN BE SEEN ONLINE AT <https://www.globtek.com/connectors/> ACTUAL CONNECTORS, OVERMOLDS, FERRITES MAY VARY SLIGHTLY FROM THE PICTURE BELOW DIMENSIONS ARE IN MM UNLESS SPECIFIED OTHERWISE

Plug Approvals	Cable Approvals	Connector Approvals
 Korean KC	 VDE	 Korean KC
 KEMA (Keuring van Elektrotechnische Materialen te Arnhem) /Dekra (Netherlands Certification)	 Korean KC	 ENEC
	 CCC	
AGENCY ONLINE DOCUMENTS		
RoHS/RoHS3 Declaration	https://www.globtek.com/pdf/rohs_cert/01t3a000005KDzfAAG	
REACH Declaration	https://www.globtek.com/pdf/iso_certificates/REACH.pdf	
Conflict Minerals Declaration	https://www.globtek.com/pdf/conflict-minerals.pdf	
Prop 65 Statement	https://en.globtek.com/prop-65-statement.pdf	
CE.UKCA.Cord	https://globtek.secure.force.com/spec/ec_decl_product_model_family_incl_cord?id=01t3a000005KDzf	
IPXY rating is based on 3rd party testing and customers should check suitability and test system level IPXY rating before ordering.		

PROPRIETARY INFORMATION

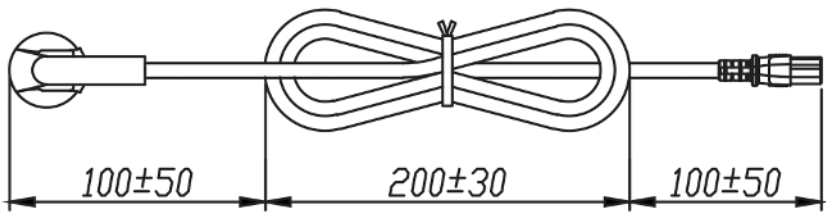
PROPRIETARY OF GLOBTEK, INC. ANY REPRODUCTION, DISCLOSURE OR USE OF THIS DRAWING, IN WHOLE OR IN PART, IS HEREBY PROHIBITED EXCEPT AS SPECIFIED IN WRITING BY GLOBTEK, INC. © GlobTek, Inc. 2021 - 2023

quest /09/30/2023 11:35:54 AM CLONED FROM 23134272M5701(R)

GlobTek, Inc. www.globtek.com 186 Veterans Drive, Northvale, NJ 07647 Tel. (201) 784-1000 Fax (201) 784-0111	Drawing Title: EUROPE CEE 7/7 (TYPE E), KOREA KSC-8305 DOWN ANGLE to IEC320-C13, Non-rewireable, KSC 8305 + ENEC, GT Cable #427INTL: 1.0mmsq / 3 Conductors, 6.8±0.2mm OD, H05VV-F, 70° Deg.C, 500V, Blue, Brown, Green/Yellow Strip, Approvals: K60227-7 and EN50525-11, IEC 60227, 2500±20mm, GlobTek Black	
	Model No. Power Cord	Rev A
Part No./Ordering No. 23134272M5701EUKR(R)		

CUSTOMIZED LENGTHS, COLORS, CABLE TYPES, TERMINATIONS/PLUGS/RECEPTACLES AVAILABLE UPON REQUEST. ADDITIONAL PLUG OPTIONS ARE AVAILABLE AT <https://www.globtek.com/connectors/> STANDARD PLUGS AND CONNECTORS CAN BE SEEN ONLINE AT <https://www.globtek.com/connectors/> ACTUAL CONNECTORS, OVERMOLDS, FERRITES MAY VARY SLIGHTLY FROM THE PICTURE BELOW DIMENSIONS ARE IN MM UNLESS SPECIFIED OTHERWISE

Hanking:23134272M5701EUKR(R)
 Description:200 +/- 30 mm
 Image:



Notes/Modifications/Customizations (notes in this section supersede the values shown in the standard spec):