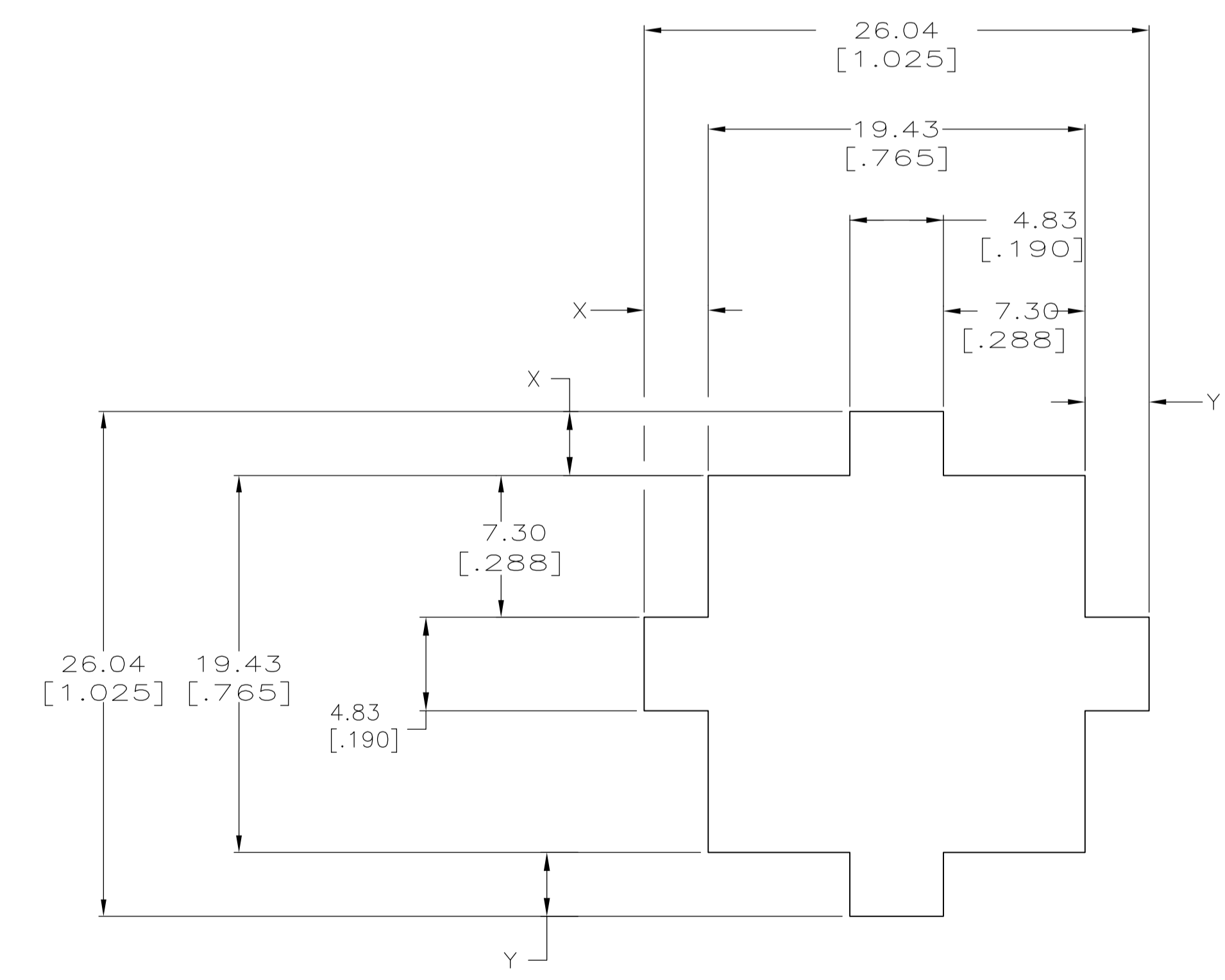
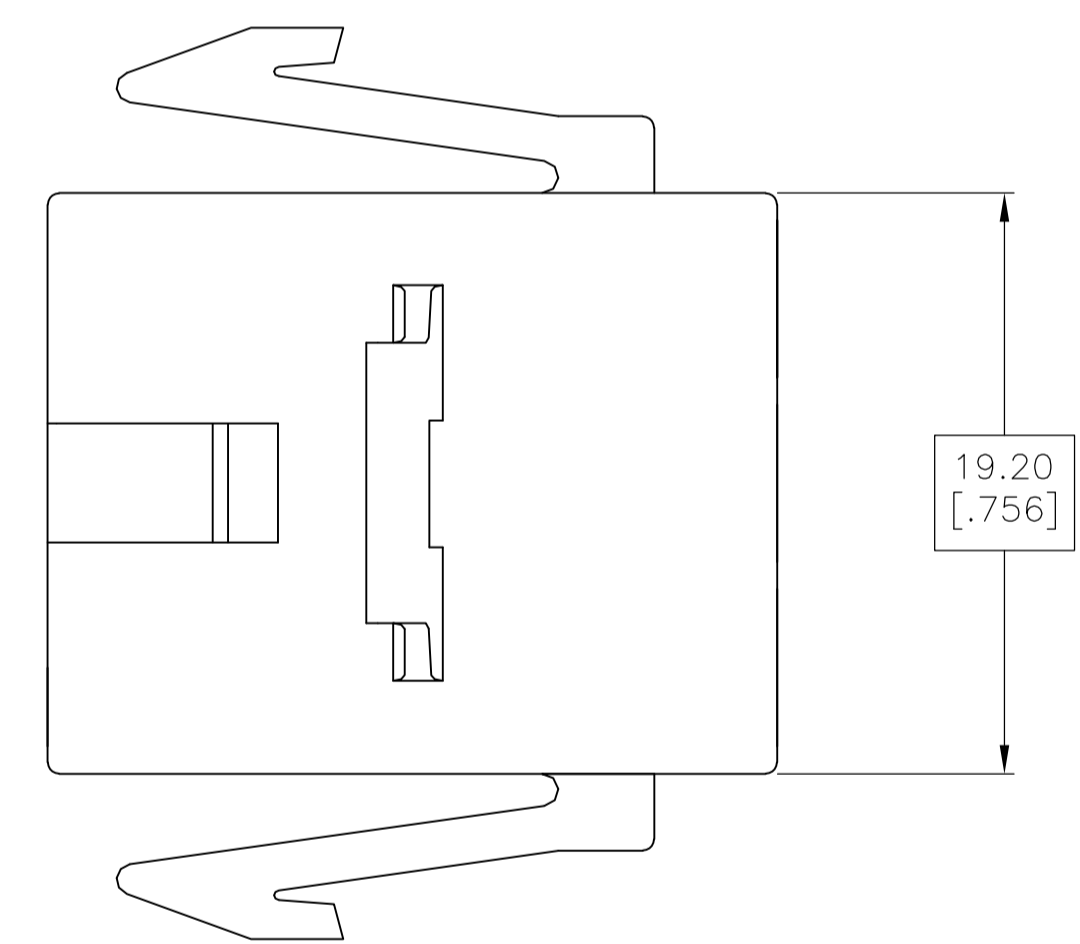
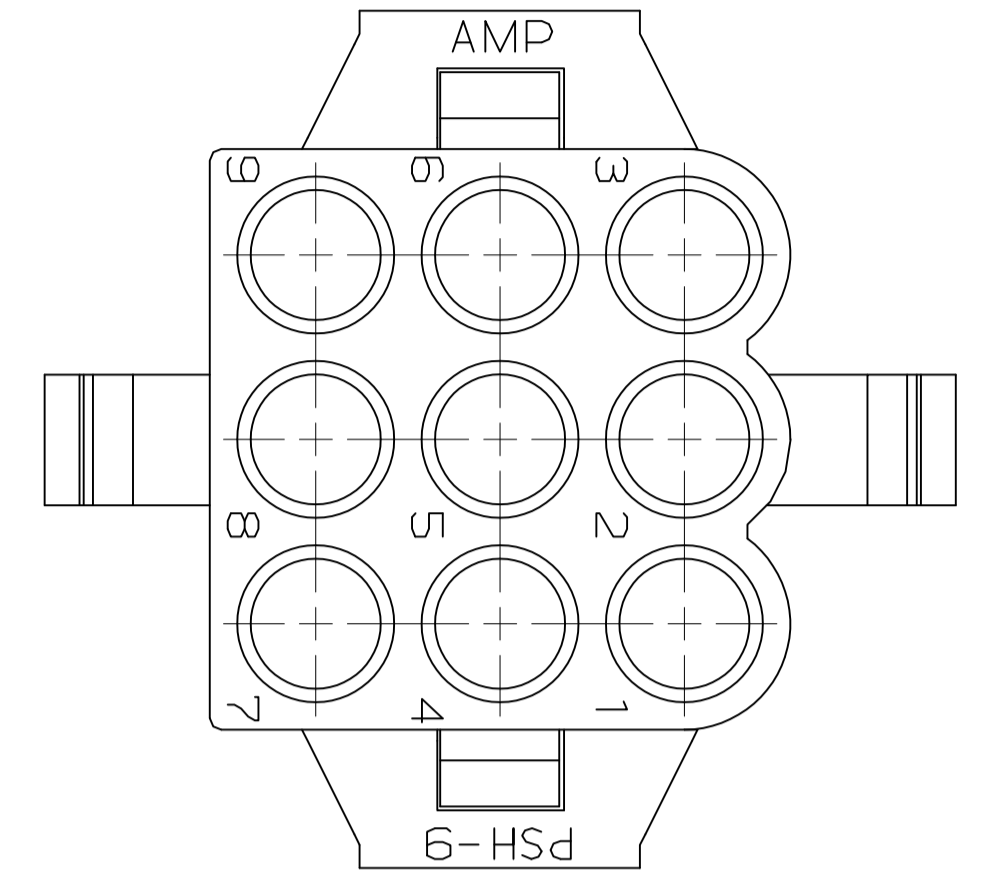
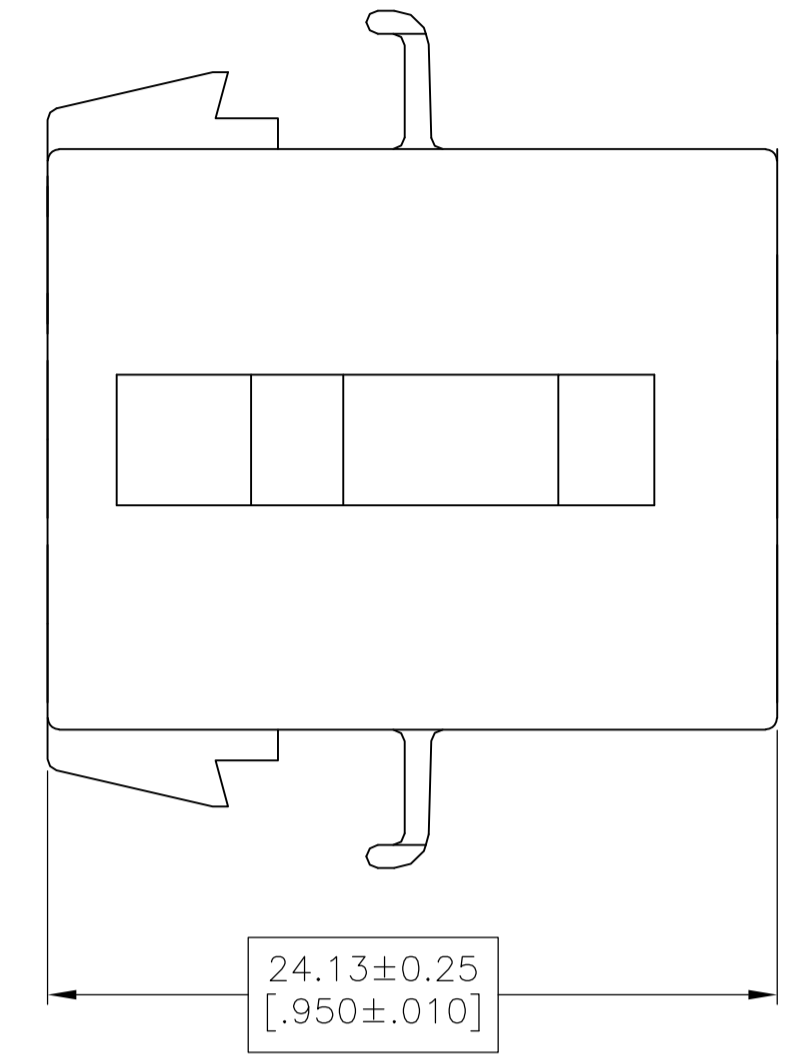
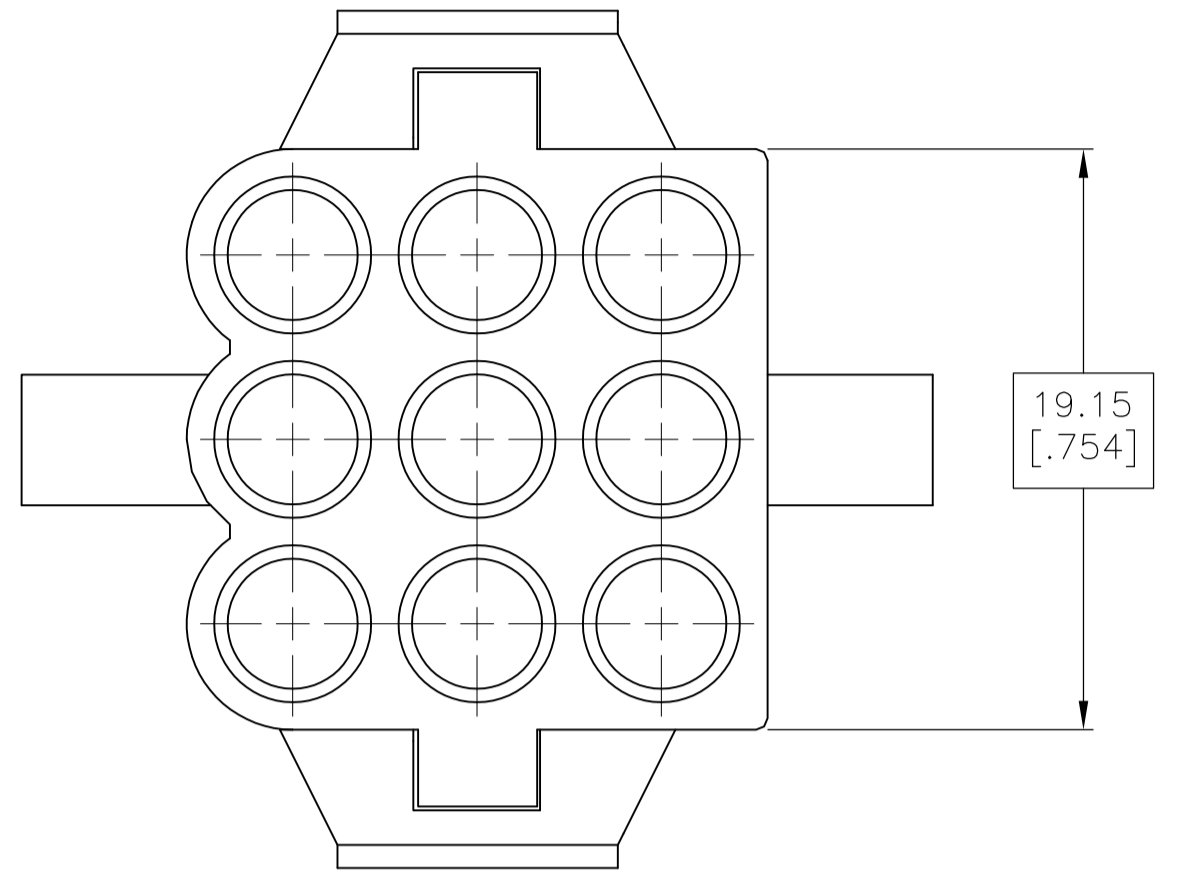
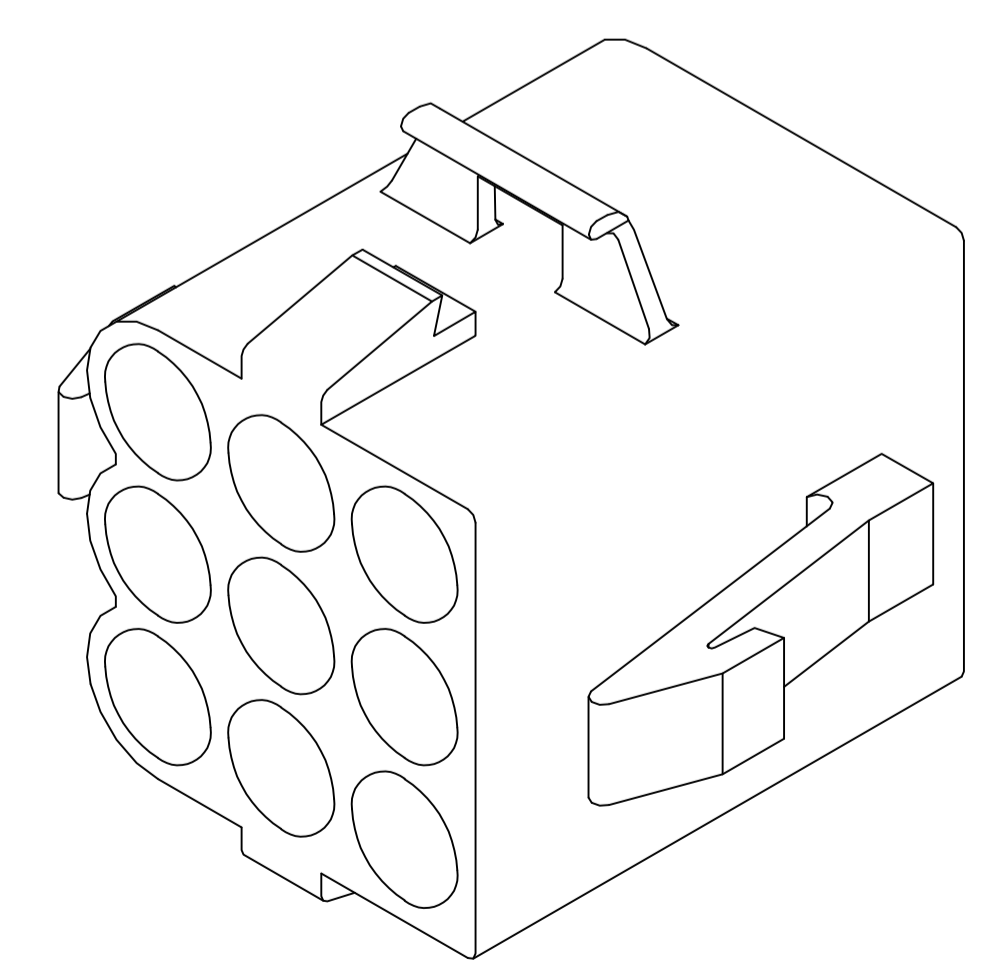


| REVISIONS | | | | | |
|-----------|-----|---------------------------|-----------|-----|------|
| P | LTR | DESCRIPTION | DATE | DMN | APVD |
| A | | REVISED PER ECR-14-019206 | 02NOV2016 | NK | SC |

- PANEL THICKNESS - 1.02[.040] - 1.78[.070].
- X & Y TO BE EQUAL WITHIN 0.13[.005].
- PANEL MUST BE PUNCHED SO THAT THE HOUSING AND THE PUNCH ENTER THE PANEL IN THE SAME DIRECTION.



RECOMMENDED PANEL CUT OUT FOR PLUG



3-DIMENSIONAL MODEL NTS

1586305-1
PART NUMBER

| | | | | | |
|--|--|-----------------------------|--|--|--|
| THIS DRAWING IS A CONTROLLED DOCUMENT. | | DIN K. WHITAKER 14-MAY-2003 | | STE TE Connectivity | |
| DIMENSIONS: mm | | CHK D. COLEY 14-MAY-2003 | | NAME PLUG, 9 CIRCUIT, .140 MATE-N-LOK™ | |
| TOLERANCES UNLESS OTHERWISE SPECIFIED: | | APVD D. COLEY 14-MAY-2003 | | PRODUCT SPEC | |
| 0. PLC ± - | | APPLICATION SPEC | | SIZE CAGE CODE DRAWING NO | |
| 1. PLC ± - | | RESTRICTED TO | | WEIGHT 0.000000 A1 00779 C=1586305 | |
| 2. PLC ± 0.13[.005] | | SCALE 4:1 | | SHEET 1 OF 1 | |
| 3. PLC ± - | | REV A | | | |
| 4. PLC ± - | | | | | |
| ANGLES ± 0°30' | | | | | |
| MATERIAL NYLON,UL94V-2 BLACK | | CUSTOMER DRAWING | | | |