

Product Specification



Patch Antenna



JLTD1616-2492S36D

Feature

High gain , Compact

Pin type

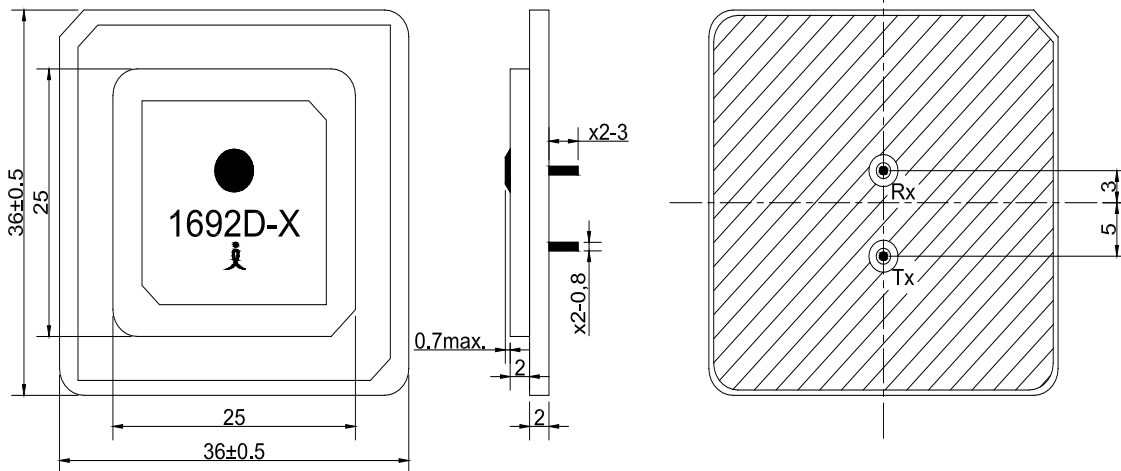
Customization available

Electrical Specification

Center Frequency	1615.68 ± 4.08 MHz	2491.75 ± 4.08 MHz
Return Loss @ F0		≥ 15.0 dB
Bandwidth @ 10dB Return loss	≥ 15 MHz	≥ 40 MHz
Polarization	LHCP	RHCP
Gain @ Zenith	1.5dBi typ.	1.5dBi typ.
Isolation		≥ 20.0 dB
Impedance		50 Ω
Frequency Temperature Coefficient		± 20 ppm/°C
Operation Temperature Range		-40 ~ +85°C



Mechanical Drawing



The last "X" is the serial number of month

Tolerance Unless Otherwise Specified:±0.30
Unit: mm

Product Specification

Patch Antenna

JLTD1616-2492S36D

Characteristics

