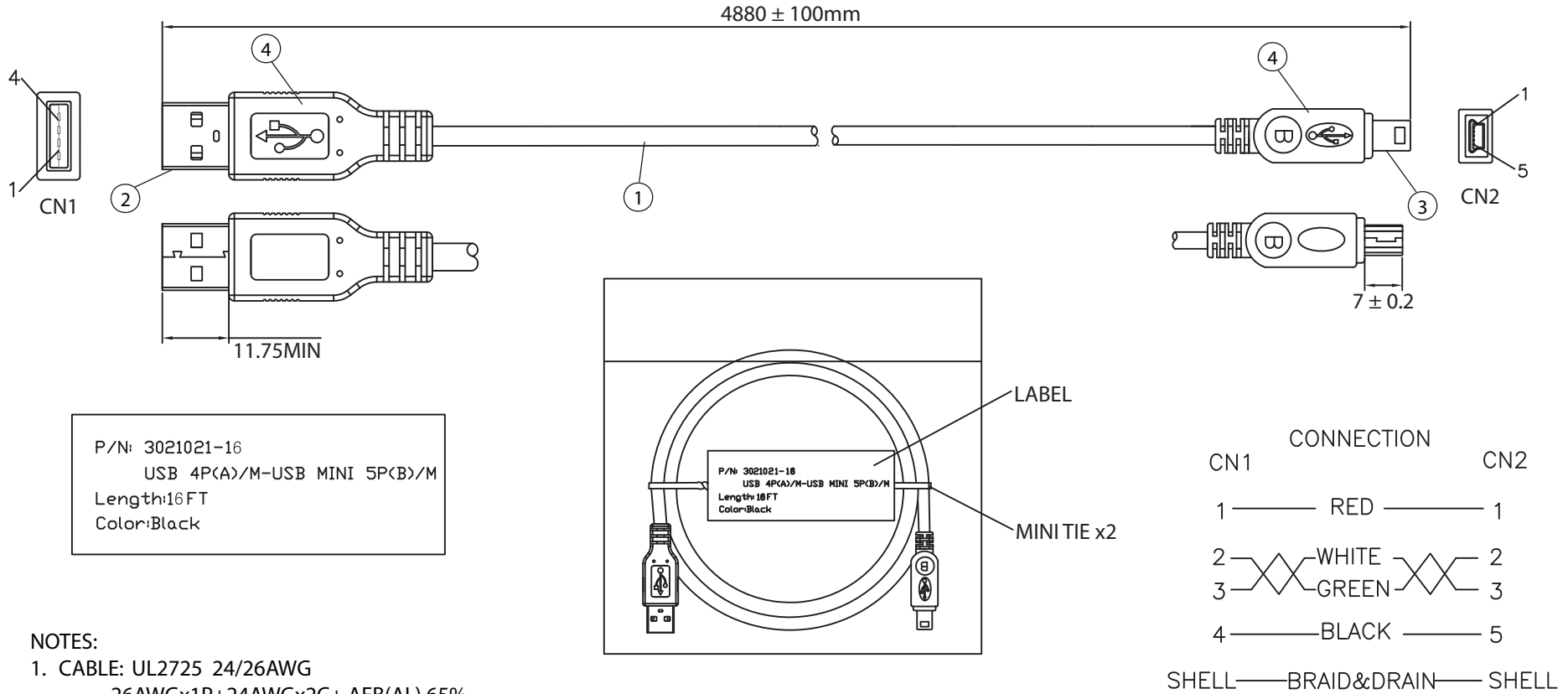


THESE DRAWINGS ARE THE PROPERTY OF QUALTEK ELECTRONICS AND NOT TO BE REPRODUCED FOR OR COMMUNICATED TO A THIRD PARTY WITHOUT THE EXPRESS WRITTEN PERMISSION OF AN OFFICER OF QUALTEK ELECTRONICS.

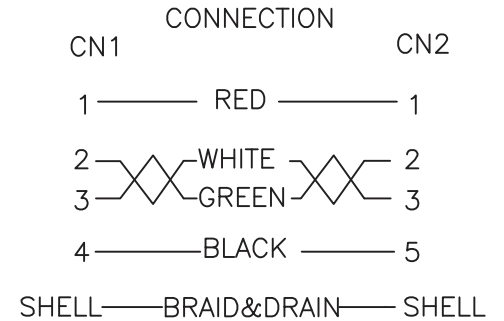
REVISION			
REV.	DESCRIPTION	DATE	APPROVED
A	Changed Pin Out	03-12-07	DP
B	Updated Specifications	02-09-12	LY



P/N: 3021021-16
 USB 4P(A)/M-USB MINI 5P(B)/M
 Length: 16FT
 Color: Black

NOTES:

- CABLE: UL2725 24/26AWG
 26AWGx1P+24AWGx2C+ AEB(AL) 65%
 OUTER JACKET: BLACK, OD: 4.5 ± 0.2mm
- CONNECTOR: USB A TYPE MALE
 INSULATOR: WHITE PBT
 PIN G/F
 GOLD PLATED SHELL
- CONNECTOR: MINI USB (B) 5P/M TYPE MALE
 INSULATOR: BLACK PBT
 PIN G/F
 GOLD PLATED SHELL
- PVC MOLDED: COLOR V398 45P BLACK
- ELECTRICAL TEST:
 <1>.100% OPEN SHORT & MISS WIRE TEST
 <2>.INSULATION RESISTANCE: DC400V 10M ohm MIN.
 <3>.CONDUCTOR RESISTANCE: 3 ohm MAX.
- PACKING: 1PC/POLYBAG W/ LABEL



CONTROLLED

Dim range (mm)	Tolerance +/- (mm)	Qualtek Electronics Corp. WCI DIVISION		
		Part Number: 3021021-16	RoHS Compliant	
0-1	0.15	Description: USB 4P(A)/M - USB MINI 5P(B)/M		
1-6	0.20			
6-18	0.30	UNIT: mm	REV. B	
18-50	0.50		REV. B	
50-120	0.70	Drawn / Date	Checked / Date	Approved / Date
120-250	0.90	B. Grubb 01-26-07	01-26-07	JJH / 01-26-07
250-500	1.20			