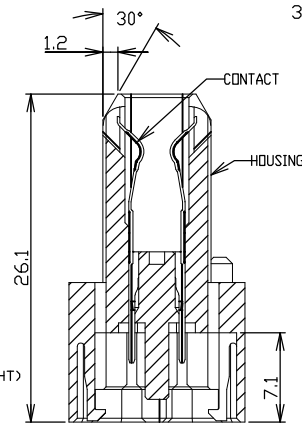
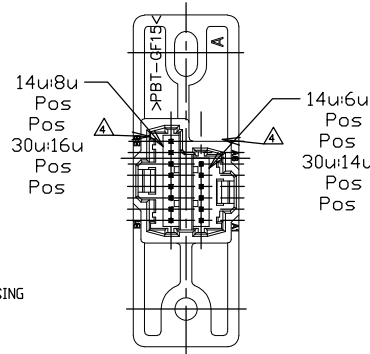
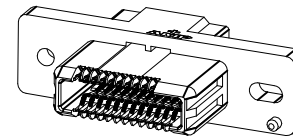
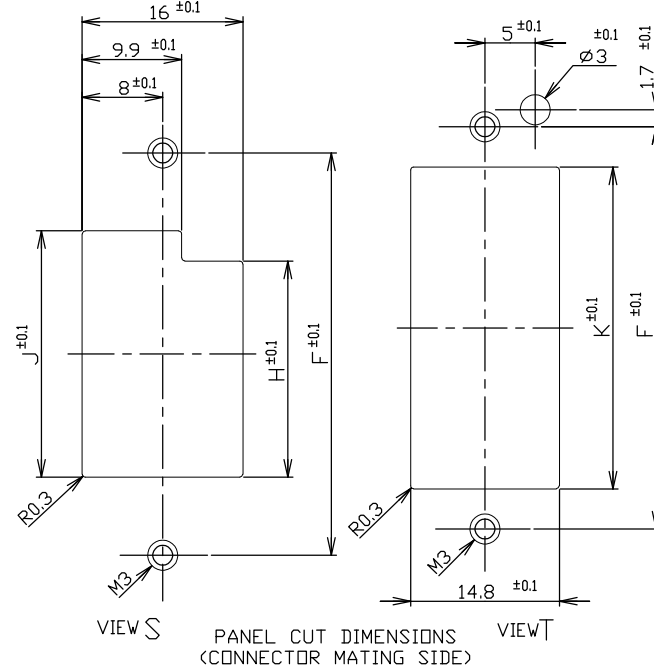
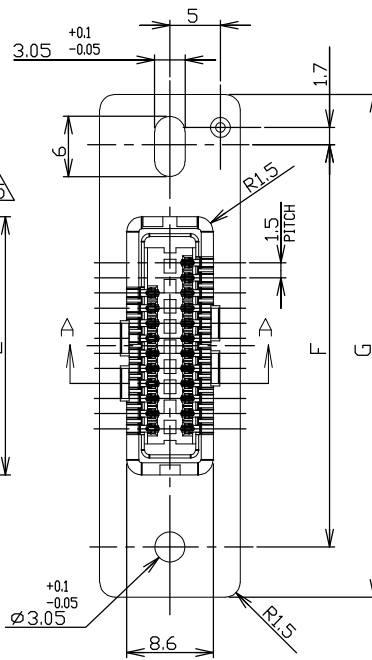
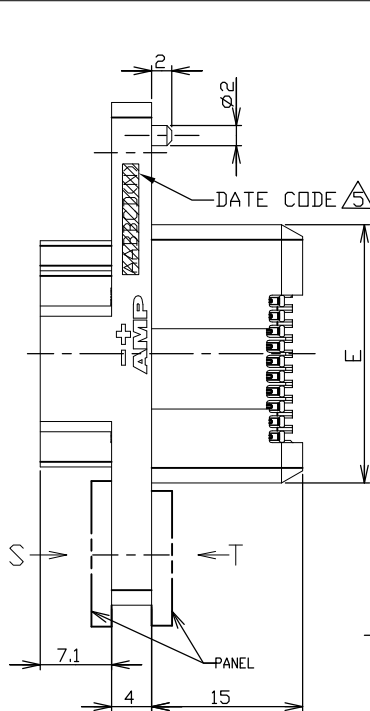
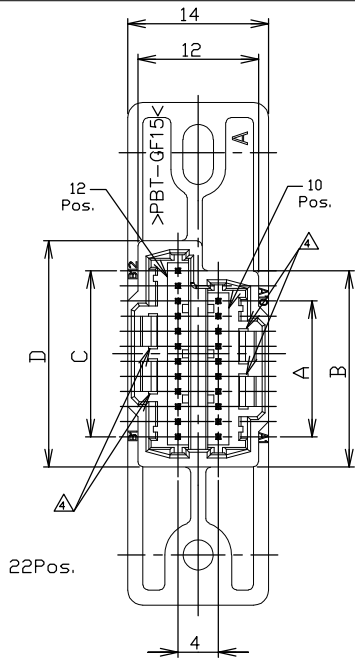


P	LTR	DESCRIPTION	DATE	DWN	APVD
A1		REVISED ECR-07-028230	26NOV07	A.L	S.Y



NOTES:

- ④ USE WITH MT REC. CONN P/N: X-353293-X  
CRIMP HSG P/N: X-353908-X  
CRIMP CONT P/N: 353907-1  
353918-1(L/P)
- MATERIAL:  
HOUSING: PBT G.F. UL94V-0 COLOR: BLACK  
CONTACT: PHOS-BRONZE  
FINISH:  
DRAWER MATING AREA: GOLD OVER NICKEL UNDERPLATE.  
MINI CT MATING AREA: TIN OVER NICKEL UNDERPLATE.  
LOCK: 14Pos-1LOCK/ROW, 22Pos-2LOCKS/ROW,  
30Pos-3LOCKS/ROW
- △ LOCATION OF DATE CODE: AABBCD(N)  
(AA: YEAR, BB: WEEK, C: DAY OF WEEK, D: DAYTIME, N: NIGHT)

TOLERANCES UNLESS OTHERWISE SPECIFIED:

- 10 > : ±0.2
- 30 > \* > 10 : ±0.25
- 100 > \* > 30 : ±0.3
- ANGLE : ±3°

THIS DRAWING IS A CONTROLLED DOCUMENT FOR TYCO ELECTRONICS CORPORATION IT IS SUBJECT TO CHANGE AND THE CONTROLLING ENGINEERING ORGANIZATION SHOULD BE CONTACTED FOR THE LATEST REVISION.

DIMENSIONS:	TOLERANCES UNLESS OTHERWISE SPECIFIED
MM	
0 PLC	±0.1
1 PLC	±0.01
2 PLC	±0.01
3 PLC	±0.001
4 PLC	±0.0001
ANGLES	±
MATERIAL	FINISH
SEE NOTE	SEE NOTE

DWN	S.XU	31JAN03
CHK	S.YAD	31JAN03
APVD	T.SASAKI	31JAN03
PRODUCT SPEC	108-60026	
APPLICATION SPEC		
WEIGHT	SEE TABLE	
CUSTOMER DRAWING		

WIRE RANGE	INSULATION DIA	DIMENSIONS										Pos.	P/N
(g)	K	J	H	G	F	E	D	C	B	A			
9.1	38	30.5	27.5	56	46	31.7	28.5	22.5	25.5	19.5	30	3-292236-0	
7.7	32	24.5	21.5	50	40	25.7	22.5	16.5	19.5	13.5	22	2-292236-2	
6.3	26	18.5	15.5	44	34	19.7	16.5	10.5	13.5	7.5	14	1-292236-4	

**Tyco Electronics** Tyco Electronics Corporation  
Shanghai, PRC

NAME: REC ASS'Y for DC TYPE  
1.5mm PITCH MINI CT DRAWER CONNECTOR

SIZE: A3 CAGE CODE: 00779 DRAWING NO: C=292236

RESTRICTED TO: [ ]

SCALE: NON SHEET 1 OF 1 REV: A1