
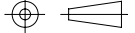
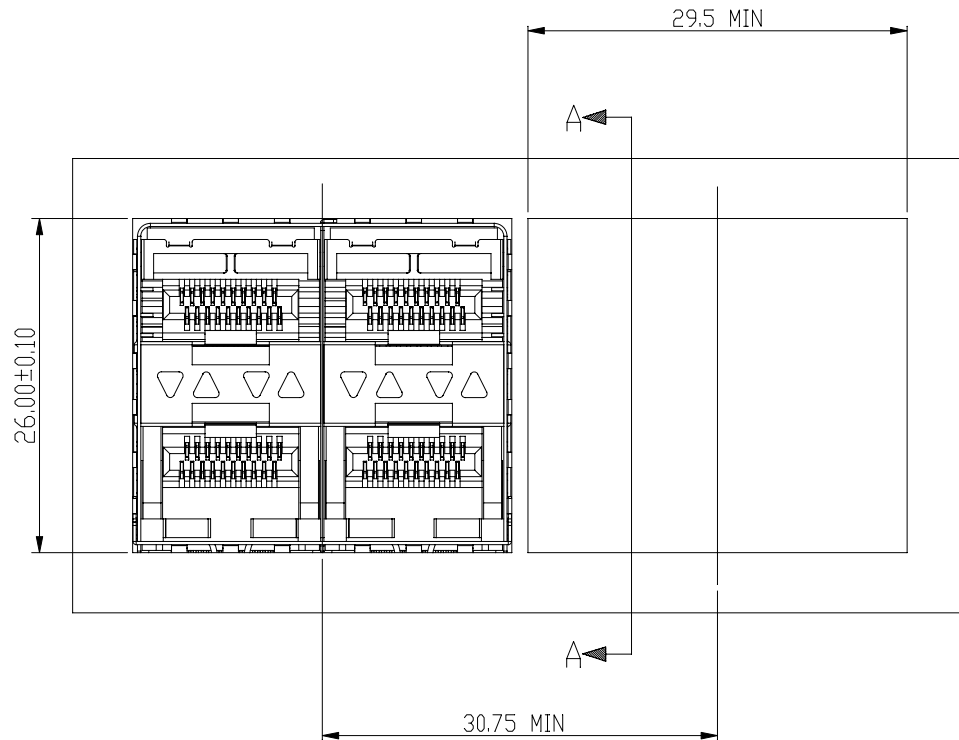


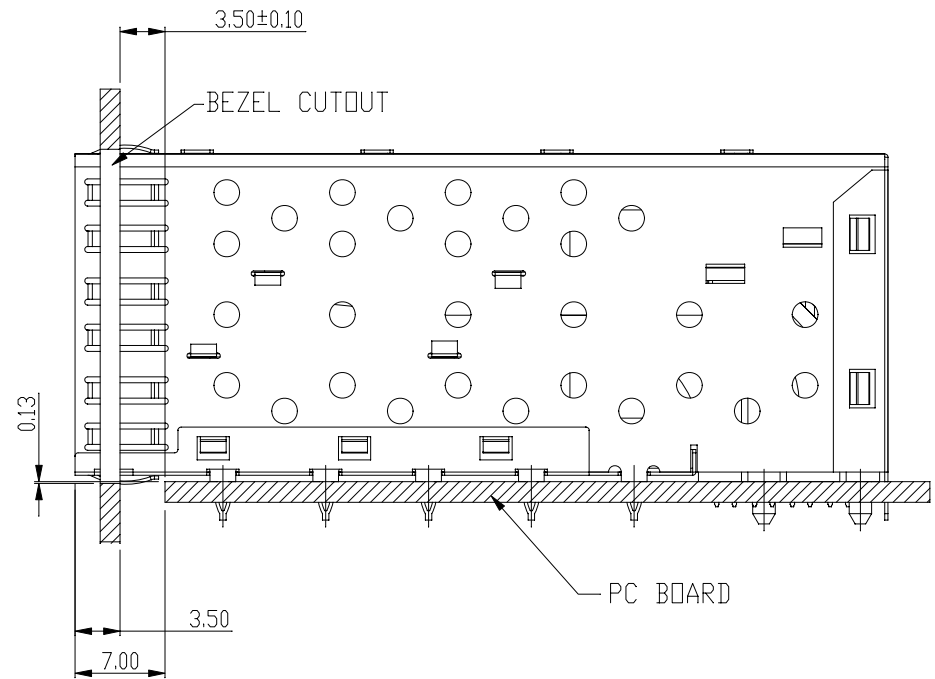
Qty Per:	TRAY	CARTON		
	12	72		
PART NUMBER	STATEMENT			
SFP0-3030-L	INNER/OUTER LIGHT PIPES			
No.	DESCRIPTION	Q'ty	MATERIAL	PLATING
01	SFP CAGE (Non-Logo)	1	COPPER ALLOY	
02	CONNECTOR	2	HIGH TEMP/COPPER ALLOY	GOLD
03	LIGHT PIPES	2	POLYCARBONITE	

DETACHED LISTS	← MM (INCH) →	RoHS Compliant	 A TECHNITROL COMPANY		
	TOLERANCES EXCEPT AS NOTED			TITLE	W/LIGHT PIPES
	MM	±	SFP 2 BY 2 CAGE+CONNECTOR_P		
	.0 ± 0.25	±			
.00 ± 0.2	±				
.000 ± 0.10	±				
ANGLES ± 0.5					
	THIRD ANGLE PROJECTION	DFTD Jack	DRAWING NO. CSFP0-3030-L	SIZE	REV
		DATE 6/09/10'	/PART NO. SFP0-3030-L	A3	2
		SCALE : 2:1	DO NOT SCALE DRAWING	SHEET 1	OF 4

8 7 6 5 4 3 2 1



BEZEL CUT-OUT CENTER SPACING DETAIL
BEZEL THICKNESS:0.8-2.6



SECTION A-A

8

7

6


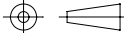
5

4

3

2

1

DETACHED LISTS	MM (INCH)		RoHS Compliant		 Pulse A TECHNITROL COMPANY		
	TOLERANCES EXCEPT AS NOTED						
	MM	±	TITLE SFP 2 BY 2 CAGE+CONNECTOR_P		W/LIGHT PIPES		
	.0 ± 0.25	±					
.00 ± 0.2	±						
.000 ± 0.10	±	DFTD Jack		DRAWING NO. CSFP0-3030-L		SIZE	REV
ANGLES ± 0.5						DATE 6/09/10'	
		SCALE : 2:1		DO NOT SCALE DRAWING			
THIRD ANGLE PROJECTION							

A

B

C

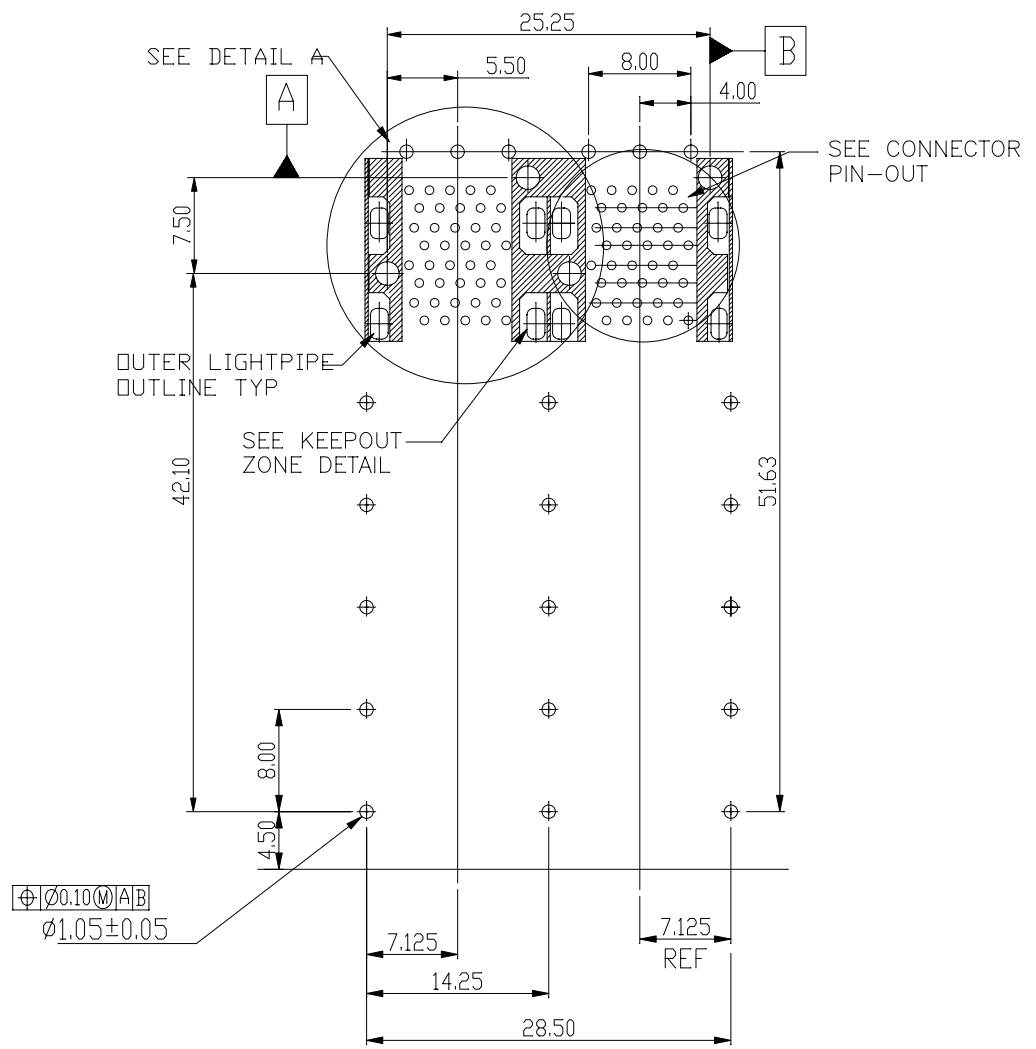
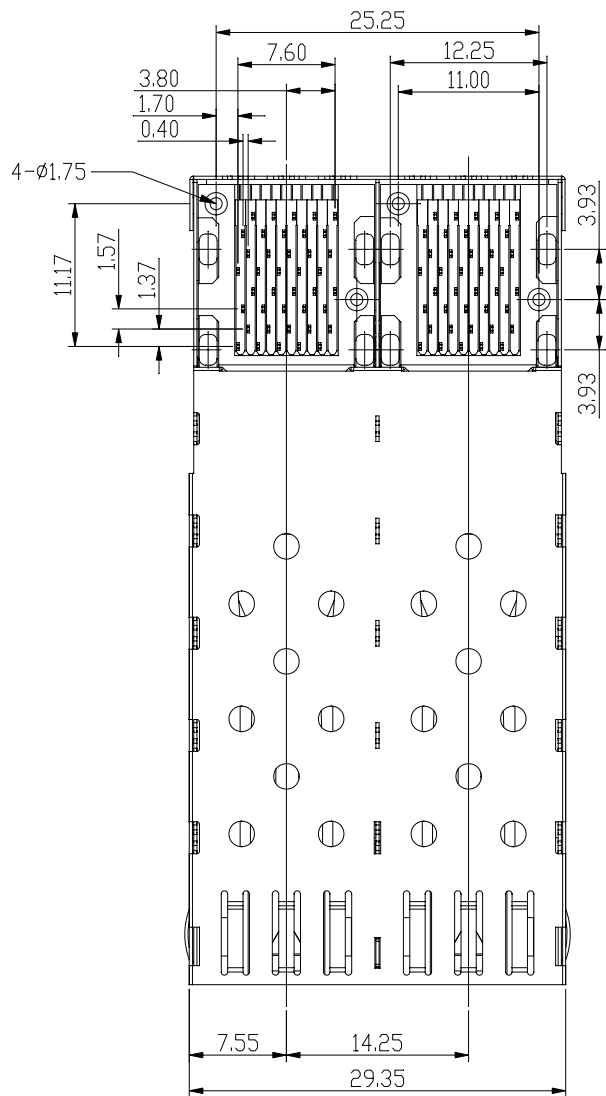
D

E

F

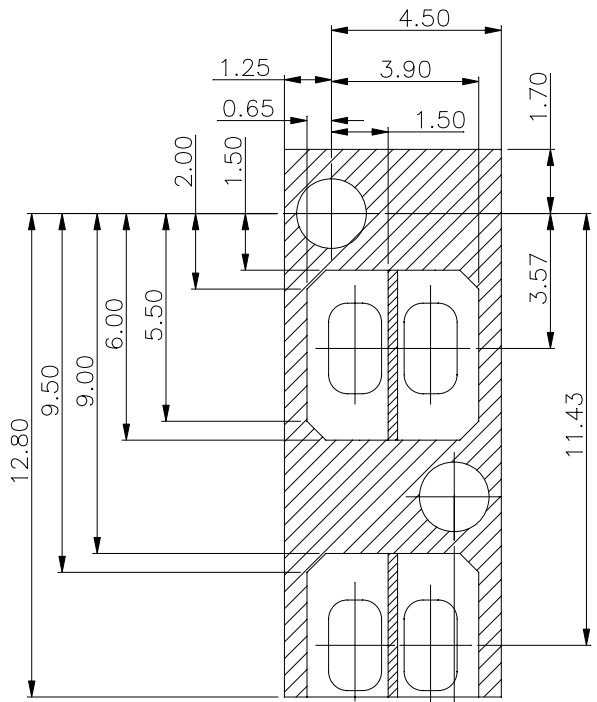
G

H



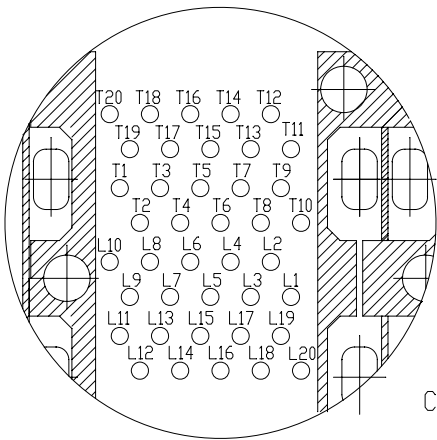
Ø0.10 @ A/B
 Ø1.05 ± 0.05

← MM (INCH) → TOLERANCES EXCEPT AS NOTED		RoHS Compliant			
DETACHED LISTS	MM	±	TITLE SFP 2 BY 2 CAGE+CONNECTOR_P W/LIGHT PIPES		
	.0	± 0.25			
	.00	± 0.2			
	.000	± 0.10	DFTO Jack DATE 6/09/10'		
	ANGLES ± 0.5		DRAWING NO. CSFP0-3030-L /PART NO. SFPO-3030-L		SIZE A3
 THIRD ANGLE PROJECTION		SCALE : 2:1		DO NOT SCALE DRAWING	
			SHEET 3 OF 4		REV 2

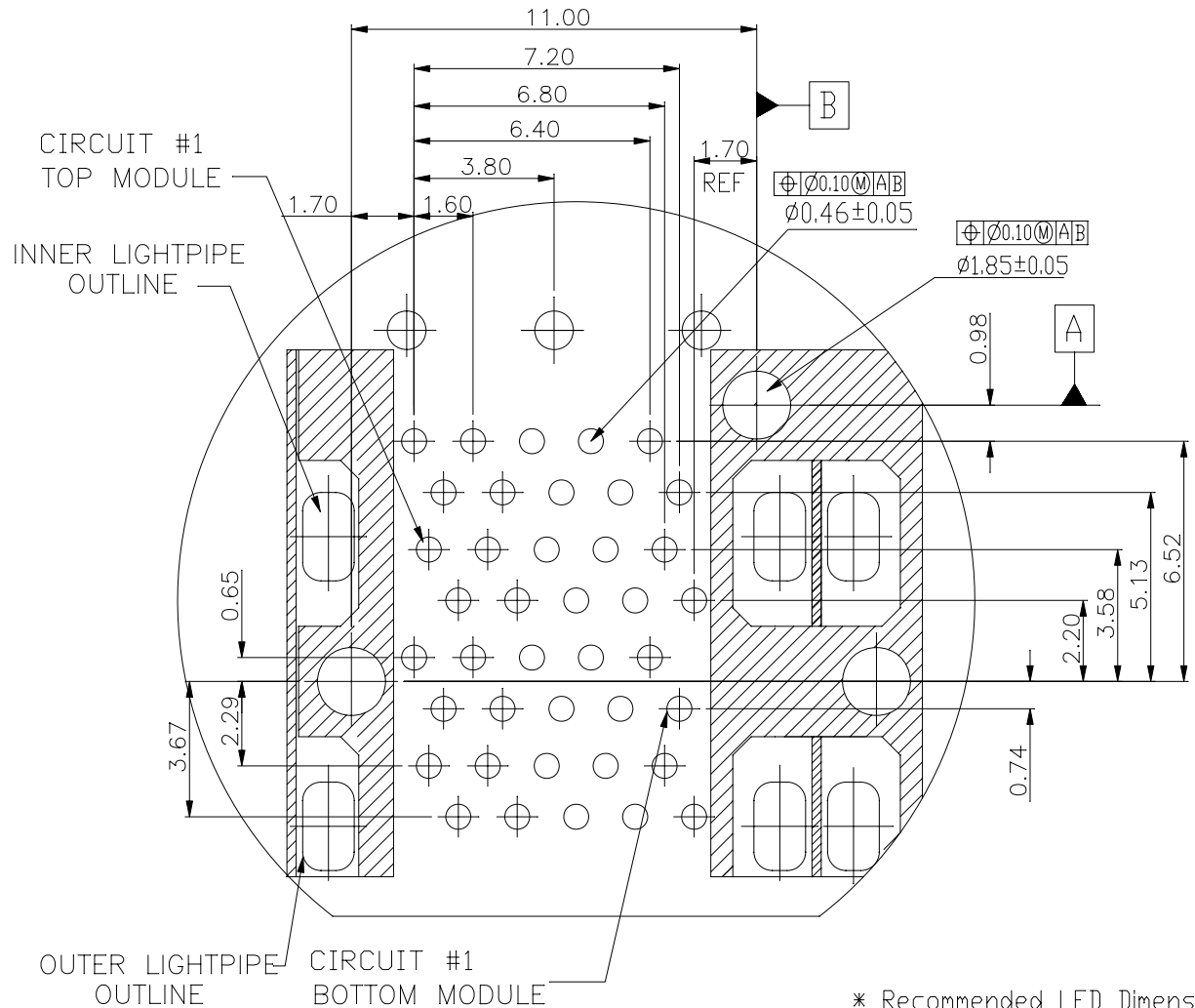


KEEPOUT ZONE DETAIL
SCALE 6:1

2.00 REF
0.62 REF



CONNECTOR PIN-OUT
COMPONENT SIDE OF BOARD



DETAIL A
SCALE 6:1

- * Recommended LED Dimensions
- Dimensions(WxLxH):
- 0.5x1.0x0.5 mm
- 0.8x1.6x0.5 mm
- 1.25x2.0x0.8 mm
- 1.25x1.6x0.65 mm

DETACHED LISTS TOLERANCES EXCEPT AS NOTED MM .0 ± 0.25 ± .00 ± 0.2 ± .000 ± 0.10 ± ANGLES ± 0.5 THIRD ANGLE PROJECTION	RoHS Compliant			
	TITLE SFP 2 BY 2 CAGE+CONNECTOR_P		W/LIGHT PIPES	
	DFTD Jack DATE 6/09/10'	DRAWING NO. CSFP0-3030-L /PART NO. SFP0-3030-L	SIZE A3	REV 2
	SCALE : 2:1	DO NOT SCALE DRAWING	SHEET 4 OF 4	