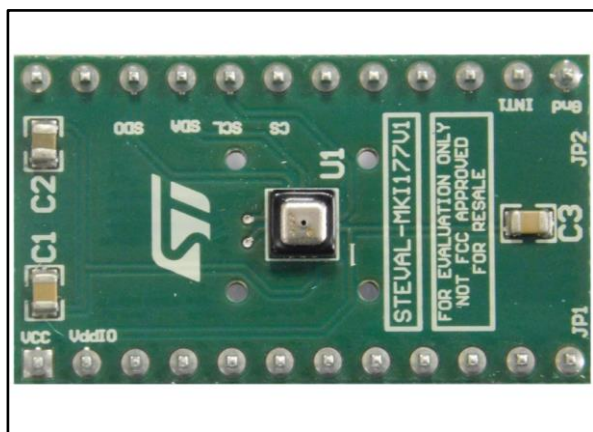


## LPS35HW adapter board for a standard DIL24 socket

Data brief



### Features

- Complete LPS35HW pinout for a standard DIL24 socket
- Fully compatible with the STEVAL-MKI109V2 and STEVAL-MKI109V3 motherboards
- RoHS compliant

### Description

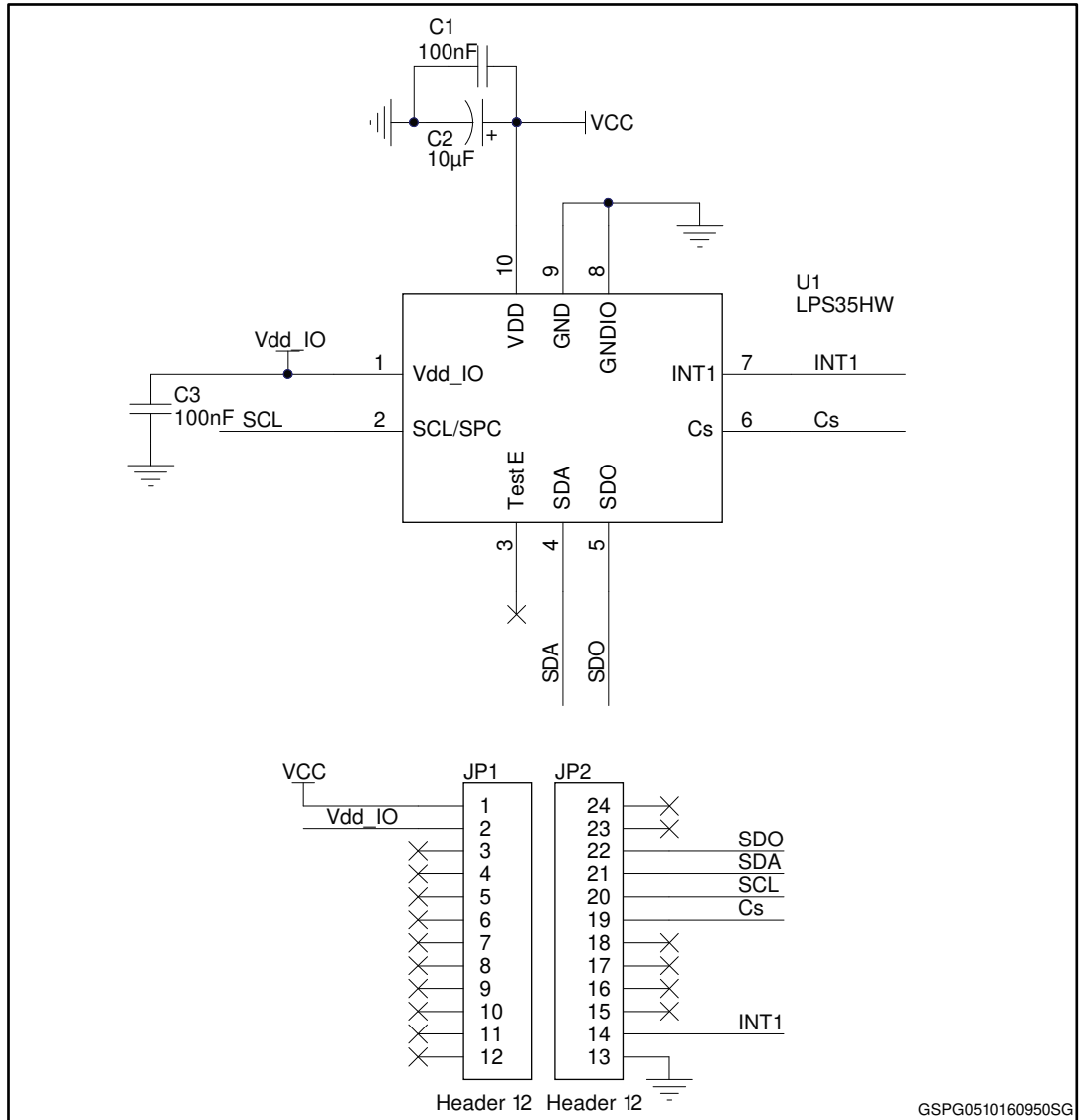
The STEVAL-MKI177V1 is an adapter board designed to facilitate the evaluation of MEMS devices in the LPS35HW product family. The board offers an effective solution for fast system prototyping and device evaluation directly inside the user's application.

The STEVAL-MKI177V1 can be plugged into a standard DIL24 socket. The adapter provides the complete LPS35HW pin-out and comes ready-to-use with the required decoupling capacitors on the  $V_{DD}$  power supply line.

This adapter is supported by the STEVAL-MKI109V2 and STEVAL-MKI109V3 motherboards which include a high performance 32-bit microcontroller functioning as a bridge between the sensor and a PC running the downloadable graphical user interface (Unico GUI) or dedicated software routines for customized applications.

# 1 Schematic diagram

Figure 1: STEVAL-MKI177V1 circuit schematic



GSPG0510160950SG

## 2 Revision history

Table 1: Document revision history

Date	Version	Changes
07-Oct-2016	1	Initial release.

**IMPORTANT NOTICE – PLEASE READ CAREFULLY**

STMicroelectronics NV and its subsidiaries ("ST") reserve the right to make changes, corrections, enhancements, modifications, and improvements to ST products and/or to this document at any time without notice. Purchasers should obtain the latest relevant information on ST products before placing orders. ST products are sold pursuant to ST's terms and conditions of sale in place at the time of order acknowledgement.

Purchasers are solely responsible for the choice, selection, and use of ST products and ST assumes no liability for application assistance or the design of Purchasers' products.

No license, express or implied, to any intellectual property right is granted by ST herein.

Resale of ST products with provisions different from the information set forth herein shall void any warranty granted by ST for such product.

ST and the ST logo are trademarks of ST. All other product or service names are the property of their respective owners.

Information in this document supersedes and replaces information previously supplied in any prior versions of this document.

© 2016 STMicroelectronics – All rights reserved