

SACC-DSI-FS-8CON-PG 9/2,0 0,34 - Device connector, rear mounting



1401267

<https://www.phoenixcontact.com/us/products/1401267>

Please be informed that the data shown in this PDF document is generated from our online catalog. Please find the complete data in the user documentation. Our general terms of use for downloads are valid.



Device connector, rear mounting, 8-position, Rear mounting, Pg9, Individual wires, cable length: 2 m, 0.34 mm², TPE litz wire

Commercial data

Item number	1401267
Packing unit	1 pc
Minimum order quantity	10 pc
Sales key	AB24
Product key	ABQCHE
GTIN	4046356543835
Weight per piece (including packing)	80.6 g
Weight per piece (excluding packing)	79.5 g
Customs tariff number	85444290
Country of origin	DE

SACC-DSI-FS-8CON-PG 9/2,0 0,34 - Device connector, rear mounting



1401267

<https://www.phoenixcontact.com/us/products/1401267>

Technical data

Notes

General	Lock nut is included in the scope of delivery
---------	---

Mounting

Mounting type	Rear mounting Pg9 With locking nut
Assembly instructions	With locking nut
Connection method	Individual wires

Product properties

Product type	Circular connectors (device side)
Number of positions	8
No. of cable outlets	1
Shielded	no
Coding	A
Thread type	M12

Insulation characteristics

Overvoltage category	II
Degree of pollution	3

Material specifications

Flammability rating according to UL 94	V0
Seal material	NBR
Contact material	CuZn
Contact surface material	Au
Contact carrier material	PA 6.6
Material for screw connection	Zinc die-cast, nickel-plated
Conductor material	Tin-plated Cu litz wires

Electrical properties

Rated surge voltage	0.8 kV
Contact resistance	$\leq 3 \text{ m}\Omega$
Insulation resistance	$\geq 100 \text{ M}\Omega$
Nominal voltage U_N	30 V
Nominal current I_N	2 A
Max. conductor resistance	80 m Ω /m

Connection data

Conductor connection

Connection method	Individual wires
-------------------	------------------

SACC-DSI-FS-8CON-PG 9/2,0 0,34 - Device connector, rear mounting



1401267

<https://www.phoenixcontact.com/us/products/1401267>

Cable/line

Cable length	2 m
Cable type	TPE litz wire
Conductor material	Tin-plated Cu litz wires
AWG signal line	22
Material wire insulation	TPE
Nominal voltage, cable	300 V
Test voltage, cable	2000 V AC
Cable resistance	≤ 80 mΩ/m
Cable insulation resistance	≥ 20 MΩ*km

Environmental and real-life conditions

Ambient conditions

Degree of protection	IP67 (When plugged in)
	IP65 (When plugged in)
	IP65/IP67
Ambient temperature (operation)	-25 °C ... 85 °C (Plug / socket)
	-25 °C ... 90 °C (cable, fixed installation)

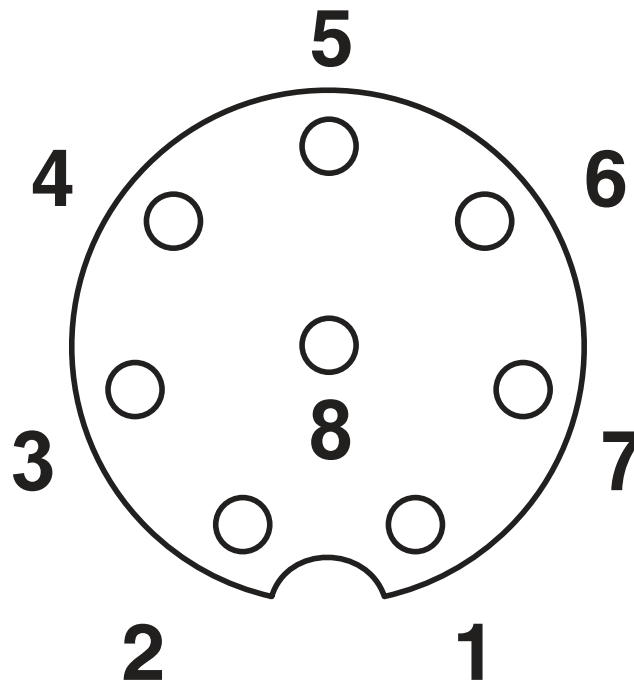
SACC-DSI-FS-8CON-PG 9/2,0 0,34 - Device connector, rear mounting

1401267

<https://www.phoenixcontact.com/us/products/1401267>

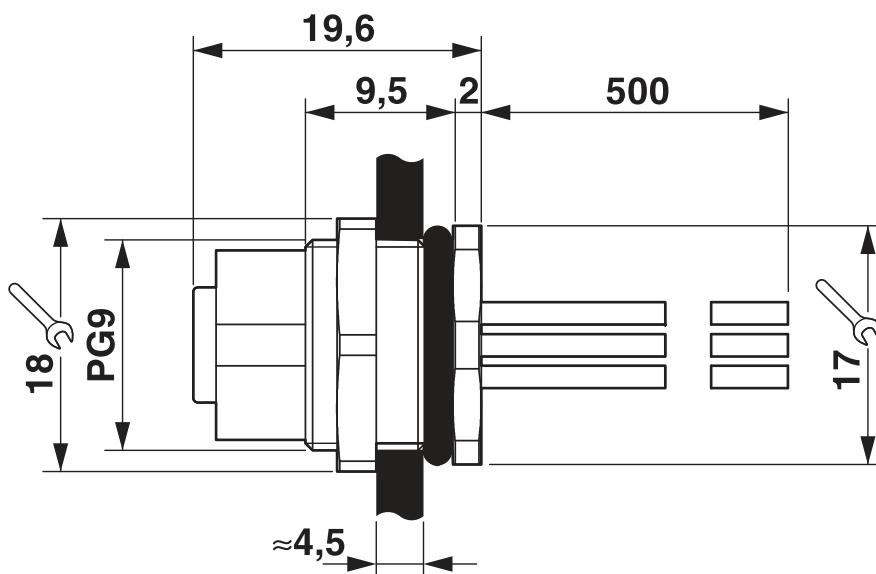
Drawings

Schematic diagram



Pin assignment M12 socket, 8-pos., A-coded, view female side

Dimensional drawing



Dimensional drawing

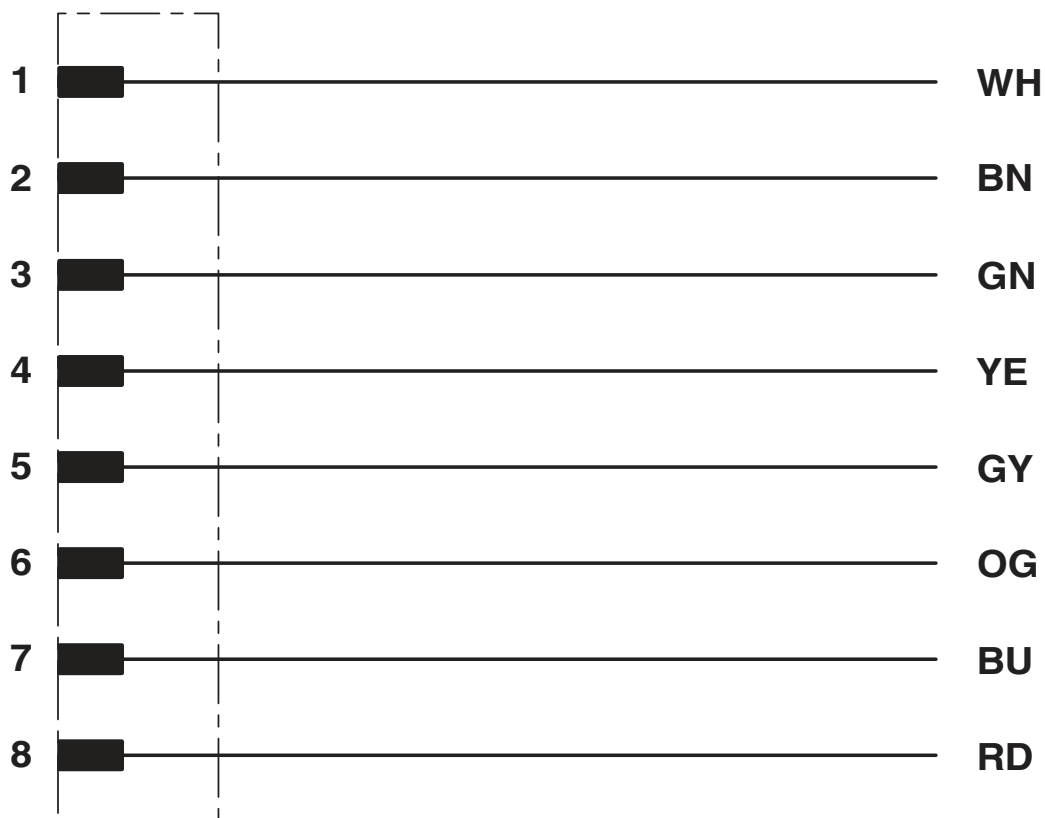
SACC-DSI-FS-8CON-PG 9/2,0 0,34 - Device connector, rear mounting



1401267

<https://www.phoenixcontact.com/us/products/1401267>

Circuit diagram



SACC-DSI-FS-8CON-PG 9/2,0 0,34 - Device connector, rear mounting



1401267

<https://www.phoenixcontact.com/us/products/1401267>

Approvals

To download certificates, visit the product detail page: <https://www.phoenixcontact.com/us/products/1401267>



EAC

Approval ID: B.01687

SACC-DSI-FS-8CON-PG 9/2,0 0,34 - Device connector, rear mounting



1401267

<https://www.phoenixcontact.com/us/products/1401267>

Classifications

ECLASS

ECLASS-11.0	27440102
ECLASS-12.0	27440116
ECLASS-13.0	27440116

ETIM

ETIM 8.0	EC002635
----------	----------

UNSPSC

UNSPSC 21.0	39121400
-------------	----------

SACC-DSI-FS-8CON-PG 9/2,0 0,34 - Device connector, rear mounting



1401267

<https://www.phoenixcontact.com/us/products/1401267>

Environmental product compliance

REACH SVHC	Lead 7439-92-1
China RoHS	Environmentally Friendly Use Period = 50 years
	For information on hazardous substances, refer to the manufacturer's declaration available under "Downloads"

Phoenix Contact 2023 © - all rights reserved
<https://www.phoenixcontact.com>

Phoenix Contact USA
586 Fulling Mill Road
Middletown, PA 17057, United States
(+717) 944-1300
info@phoenixcon.com