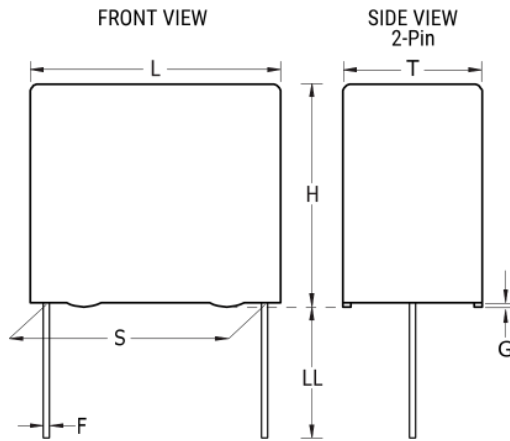


PHE448SB4100JR06

Aliases (F448BD102J2K0C)

Not for New Design

PHE448/F448, Film, Film/Foil Polypropylene, General Purpose, 1000 pF, 5%, 2000 VDC, 85°C, Lead Spacing = 15mm



Click [here](#) for the 3D model.

Dimensions

L	18mm -0.5mm
H	10.5mm -0.5mm
T	5.5mm -0.5mm
S	15mm +/-0.4mm
LL	6mm -1mm
F	0.8mm +/-0.05mm
G	0.5mm NOM

Packaging Specifications

Packaging	Bulk, Bag
Packaging Quantity	1000

General Information

Series	PHE448/F448
Dielectric	Film/Foil Polypropylene
Style	Radial
Features	Pulse
RoHS	Yes
Lead	Wire Leads
AEC-Q200	No
Component Weight	1.35 g
Miscellaneous	Rthha= 84 C/W (85C), 0.2 m/s.
Notes	Not For New Design, Series Replaced by R73.

Specifications

Capacitance	1000 pF
Capacitance Tolerance	5%
Voltage AC	700 VAC
Voltage DC	2000 VDC, 1480 VDC (105C)
Temperature Range	-55/+105°C
Rated Temperature	85°C
Dissipation Factor	0.03% 1kHz, 0.05% 10kHz, 0.1% 100kHz
Insulation Resistance	30 GOhms
Max dV/dt	25000 V/us
Inductance	6 nH