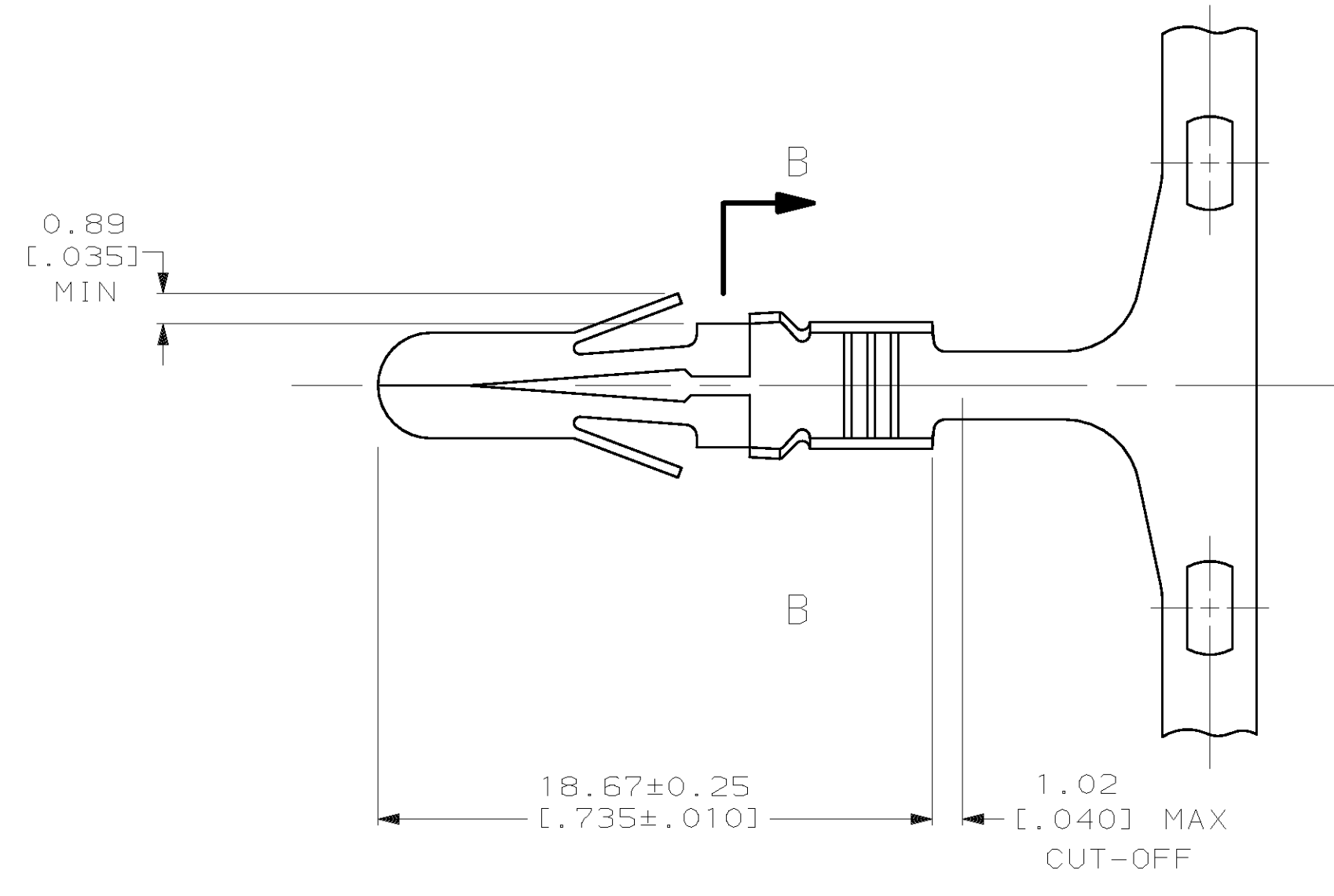
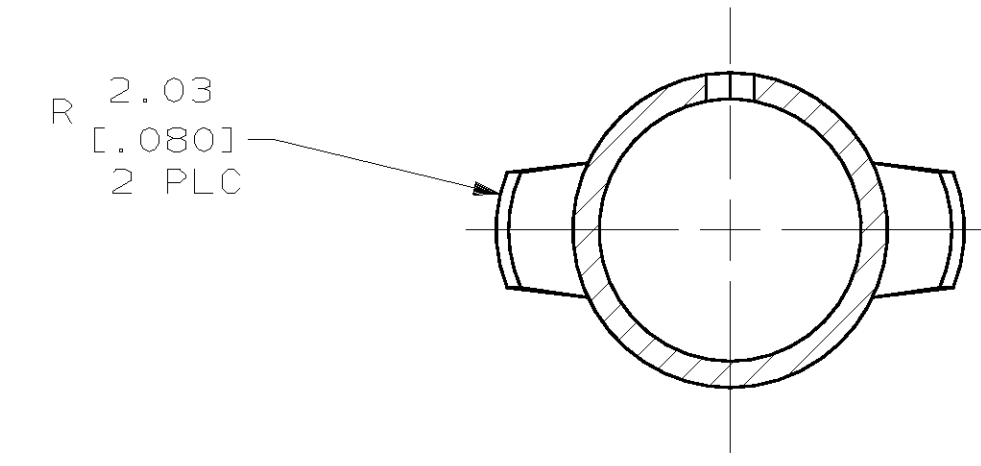
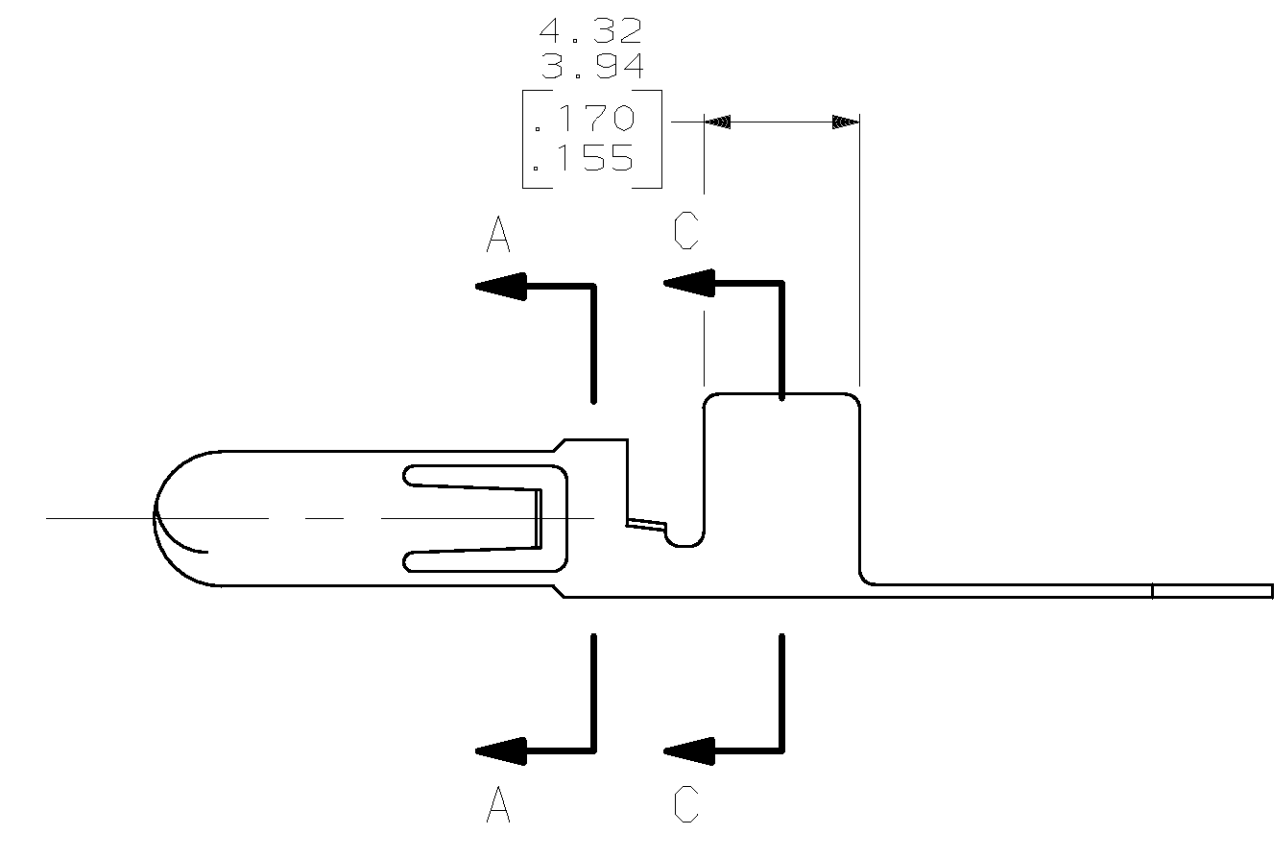
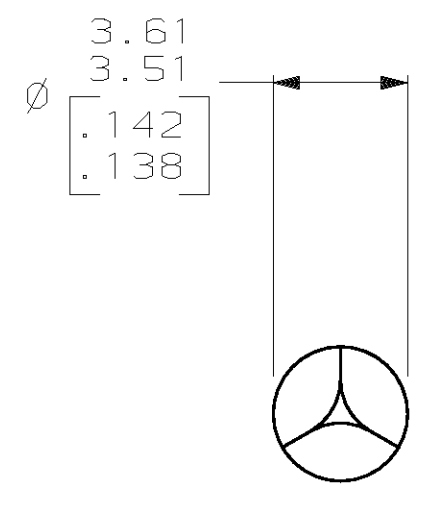


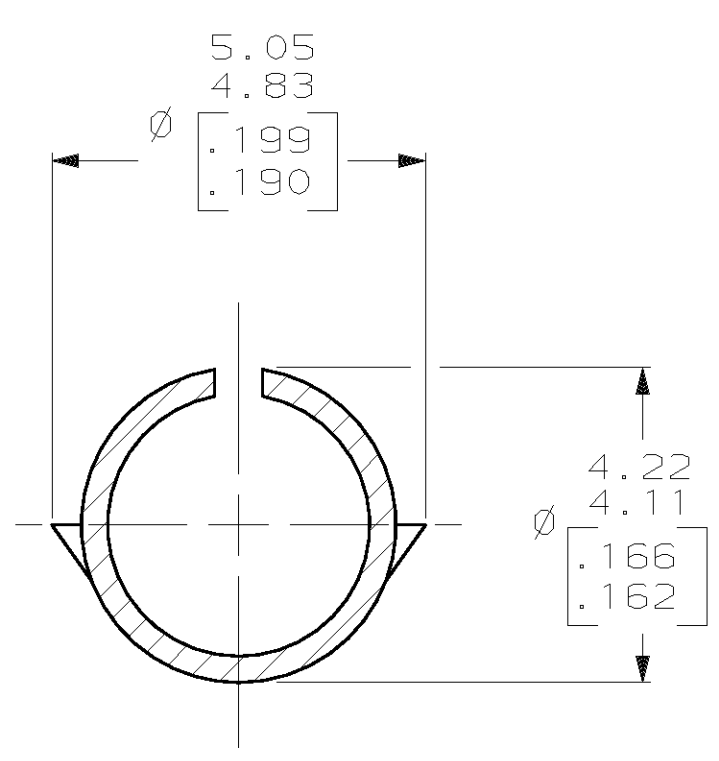
LOC		DIST		REV		ZONE		LTR		REVISIONS		DATE	APPD
CM	53	P	F							D	REV PER EC 061B-0102-98	6-2-98	JH RS



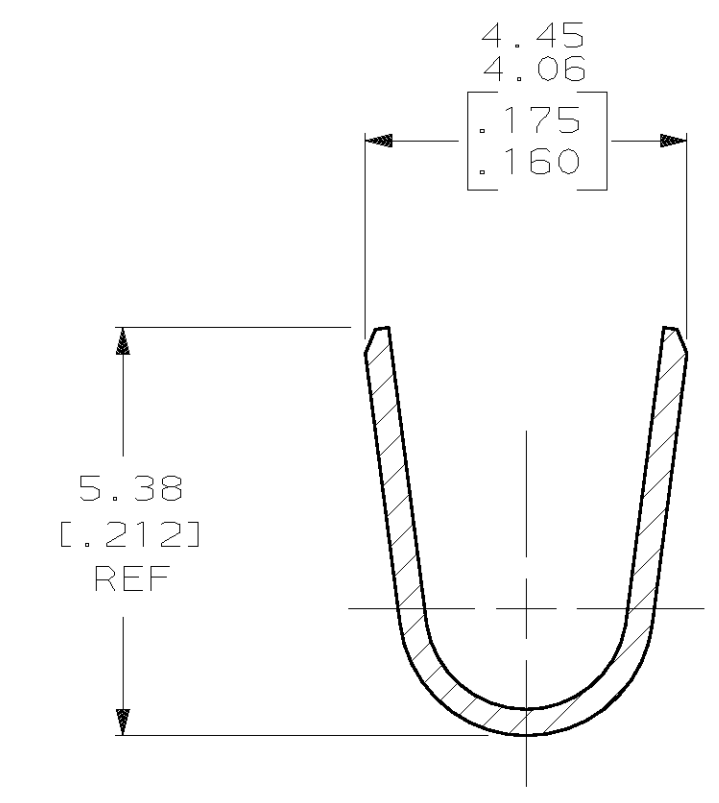
1. WIRE RANGE: 2 - 6 mm² [14-10] AWG.
2. TO BE USED IN HOUSING P/N 770464-1 ONLY.
3. DIMENSIONS IN BRACKETS ARE IN INCHES.



SECTION A-A
SCALE 10:1



SECTION B-B
ROTATED 90° CCW
SCALE 10:1



SECTION C-C
SCALE 10:1

METRIC

DO NOT SCALE PRINT. UNLESS SPECIFIED DIMENSIONS IN MM [INCHES]		DR K. WHITAKER 12-20-88		AMP INCORPORATED Harrisburg, Pa. 17105	
TOLERANCES ON:		CHK R. SWING 12-21-88			
2 PLC DEC ± 0.13 [.005]		APPD G. BROWN 12-21-88		NAME	
3 PLC DEC ± _____		APPD G. BROWN 12-21-88		PIN, .140 MATE-N-LOK™	
ANGLES ± _____		MATERIAL 0.36 [.014] BRASS		DRAWING NO 770484	
FINISH PRE-TIN		APPLICATION SPEC _____		SIZE D 00779	
WEIGHT _____		SCALE 5:1		SHEET 1 OF 1	