

THIS DRAWING IS UNPUBLISHED.

RELEASED FOR PUBLICATION

-. -. .

© COPYRIGHT - By -

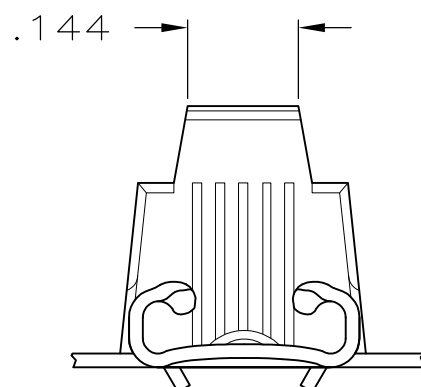
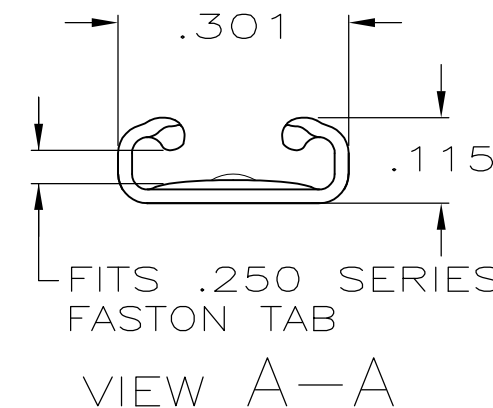
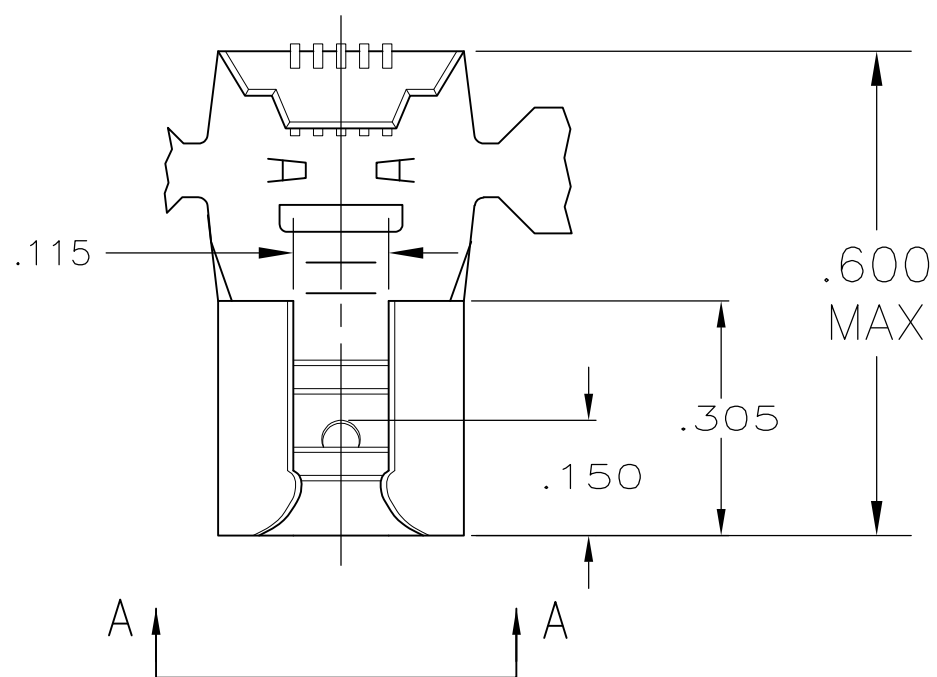
ALL RIGHTS RESERVED.

LOC AF DIST 50

REVISIONS

P	LTR	DESCRIPTION	DATE	DWN	APVD
	M	REVISED PER ECR-12-013459	29NOV2012	KH	PD

1 CONTINUOUS STRIP ON REELS.



OBSOLETE	LEFT HAND	18-12	.032 ±.001	—	.016 BRASS	61177-6
	RIGHT HAND	18-12	.032 ±.001	SILVER	.016 BRASS	61177-4
	LEFT HAND	18-12	.032 ±.001	PRE-TIN	BRASS	61177-3
	RIGHT HAND	18-12	.032 ±.001	PRE-TIN	BRASS	61177-2
OBSOLETE	RIGHT HAND	18-12	.032 ±.001	—	.016 BRASS	61177-1
	REELING	WIRE SIZE	TAB THK	FINISH	MATERIAL	PART NO.

THIS DRAWING IS A CONTROLLED DOCUMENT.

DWN JR RUTH 2/3/86

CHK M FEHER 2/6/86

APVD C MEYERS 2/7/86

PRODUCT SPEC

APPLICATION SPEC

WEIGHT -

CUSTOMER DRAWING

STE TE Connectivity

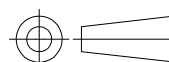
.250 SERIES FLAG FASTON RECEPTACLE

SIZE A3 CAGE CODE 00779 DRAWING NO C-61177 RESTRICTED TO -

SCALE NTS SHEET 1 OF 1 REV M

DIMENSIONS: INCHES

TOLERANCES UNLESS OTHERWISE SPECIFIED:



0 PLC	± -
1 PLC	± -
2 PLC	± -
3 PLC	± .015
4 PLC	± -
ANGLES	± -

MATERIAL SEE TABLE

FINISH SEE TABLE