


**VC-K-T1-R-M20**

Order No.: 1855097

<http://eshop.phoenixcontact.de/phoenix/treeViewClick.do?UID=1855097>

Sleeve housing, plastic, with metric cable outlet, locking screws with knurled head, type: VC1, cable screw connection: M20

Commercial data	
GTIN (EAN)	 4 017918 970857
sales group	D200
Pack	5 pcs.
Customs tariff	85472000
Catalog page information	Page 366 (PC-2009)

## Product notes

WEEE/RoHS-compliant since:  
01/01/2005



<http://www.download.phoenixcontact.com>  
Please note that the data given here has been taken from the online catalog. For comprehensive information and data, please refer to the user documentation. The General Terms and Conditions of Use apply to Internet downloads.

**Technical data**

**General characteristics**

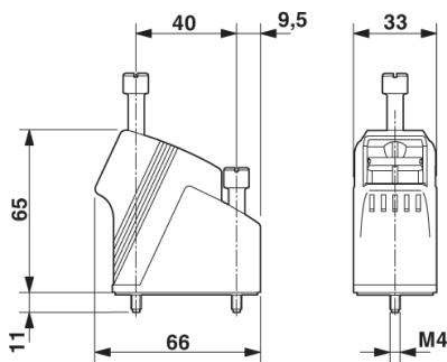
Note	When using fiber optics, the bending radii of the cable manufacturers must be observed.
Design	VC1
Degree of protection	IP65
Inflammability class acc. to UL 94	V0
Type of the screw connection	M20
Pg screw connection	None
Height	65 mm
Cable exit	Angled
Housing material	PA
Seal material	EPDM
Ambient temperature (operation)	-40 °C ... 80 °C

**Accessories**

Item	Designation	Description
1852875	VC-BZS WH	Marker labels, unprinted, 5-section, for individual labeling with M-PEN or CMS system, white

**Diagrams/Drawings**

Dimensioned drawing



**Address**

PHOENIX CONTACT Deutschland GmbH  
Flachmarktstr. 8  
32825 Blomberg, Germany  
Phone +49 5235 3 12000  
Fax +49 5235 3 41200  
<http://www.phoenixcontact.de>



© 2011 Phoenix Contact  
Technical modifications reserved;