

ITEM	PART#	DESCRIPTION	QTY	UOM
A,B	39012046	4CKT NEW MINI FIT HOUSING 555904P210	2	PC
C	39000095	MiniFit Term Crp Male C Bs Au 16awg	8	PC
D	--	PAPER PRINTED PAPER WHITE	1	PC

FROM	TO	DESCRIPTION	COLOR
A1	B2	1X16AWG DISC PVC BK UL1015 HOOKUP	BLACK
A2	B1	1X16AWG DISC PVC BK UL1015 HOOKUP	BLACK
A3	B4	1X16AWG DISC PVC BK UL1015 HOOKUP	BLACK
A4	B3	1X16AWG DISC PVC BK UL1015 HOOKUP	BLACK

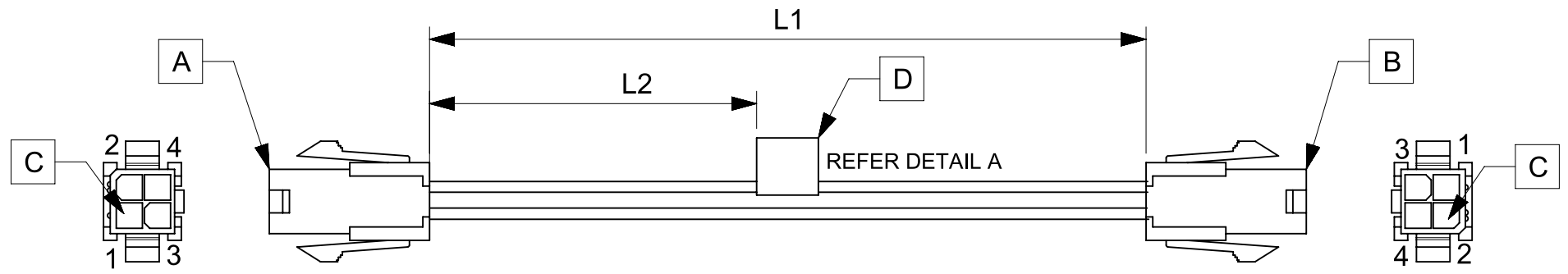


TABLE			
PART NUMBER	L1	L2	TITLE
2153272041	150±8	63 REF	MINIFIT JR DR P-P 4 CIRCUIT 150MM Au
2153272042	300±10	138 REF	MINIFIT JR DR P-P 4 CIRCUIT 300MM Au
2153272043	600±10	288 REF	MINIFIT JR DR P-P 4 CIRCUIT 600MM Au

NOTES

1. Cable assembly must pass 100% continuity and polarity test.
2. Connector view shown is from mating side.
3. Label text must be 2mm max. in height with Arial font.
4. Label must be wrapped in flag type on a single cable.

MOLEX P/N
MOLEX
BATCH WK/YR
DETAIL A

REVISION			
DATE	REV	DESCRIPTION	CHANGER
2020/03/17	A	INITIAL RELEASE	ARAJU

FUNCTIONAL SYMBOLS $\frac{E}{A} = 0$ $\frac{E}{E} = 0$ $\frac{E}{P} = 0$ DIVISIONAL SYMBOLS	THIS DRAWING CONTAINS INFORMATION THAT IS PROPRIETARY TO MOLEX ELECTRONIC TECHNOLOGIES, LLC AND SHOULD NOT BE USED WITHOUT WRITTEN PERMISSION		DIMENSION UNITS: mm SCALE: NTS		CURRENT REV DESC:						
	GENERAL TOLERANCES (UNLESS SPECIFIED)		EC NO: 638379 DRWN: ARAJU 2020/03/17 CHK'D: RDESAI01 2020/05/28 APPR: RDESAI01 2020/05/28		INITIAL REVISION:					SEE TABLE	
	ANGULAR TOL ± °		4 PLACES ±		3 PLACES ±		2 PLACES ±		PRODUCT CUSTOMER DRAWING		
	1 PLACE ±		0 PLACES ±		DRAFT WHERE APPLICABLE MUST REMAIN WITHIN DIMENSIONS		DRWN: ARAJU 2020/03/17 APPR: RDESAI01 2020/05/28		DOCUMENT NUMBER: 2153272041 DOC TYPE: PSD DOC PART: 000 REVISION: A		
THIRD ANGLE PROJECTION		DRAWING: A4-SIZE		SERIES: 215327		MATERIAL NUMBER: SEE TABLE		CUSTOMER: GENERAL MARKET		SHEET NUMBER: 1 OF 1	