

THIS DRAWING IS UNPUBLISHED.

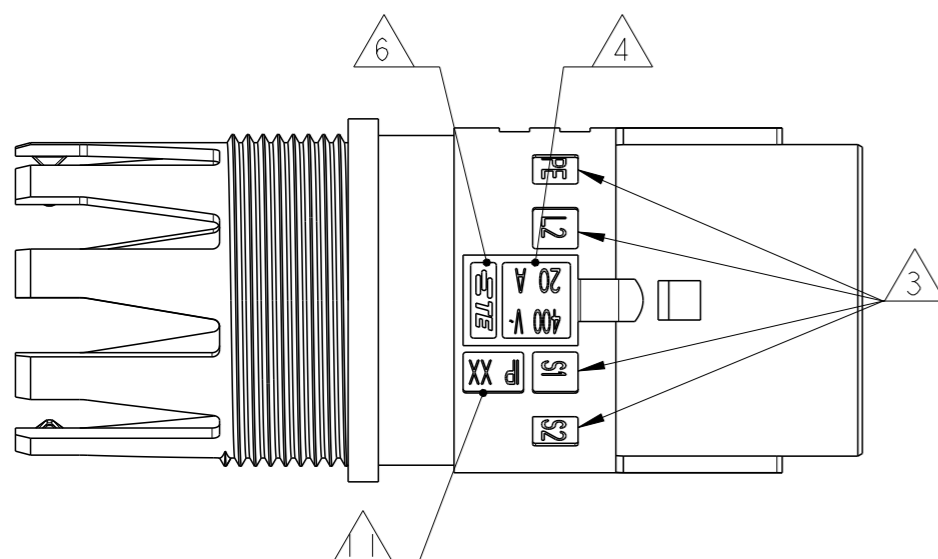
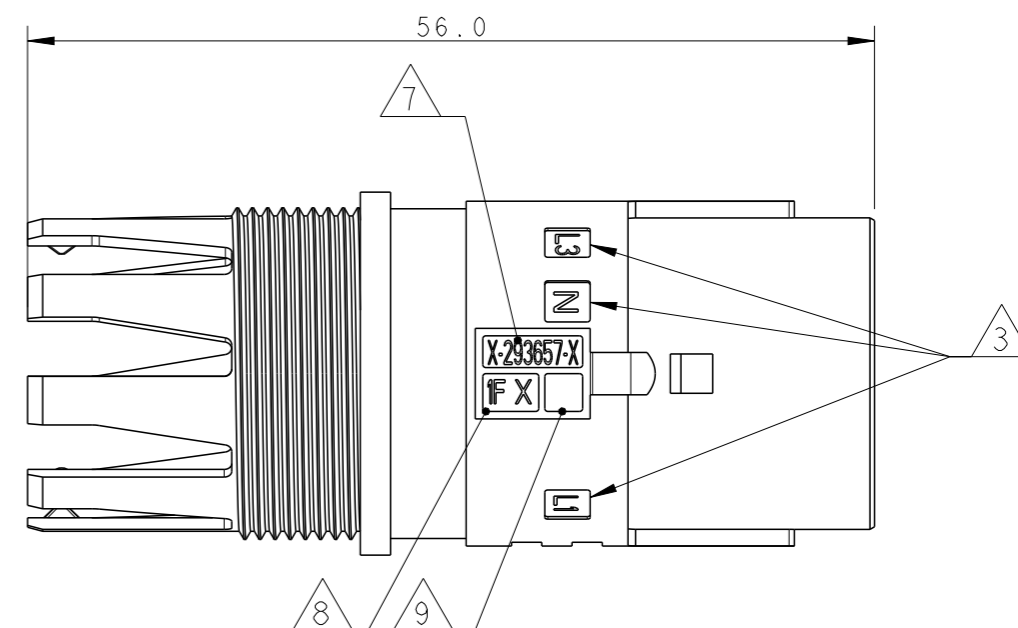
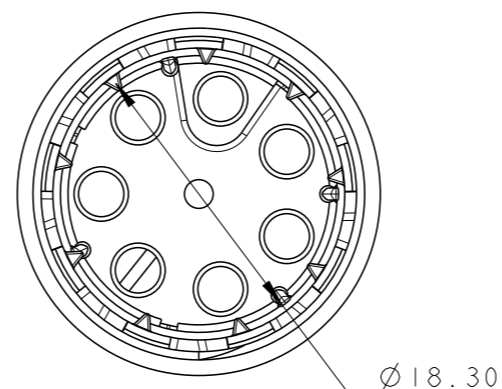
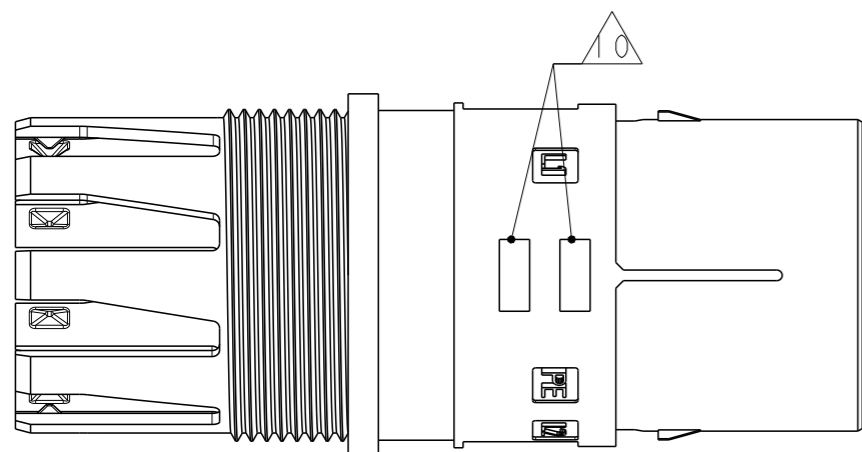
RELEASED FOR PUBLICATION

2011

© COPYRIGHT 2011 BY -

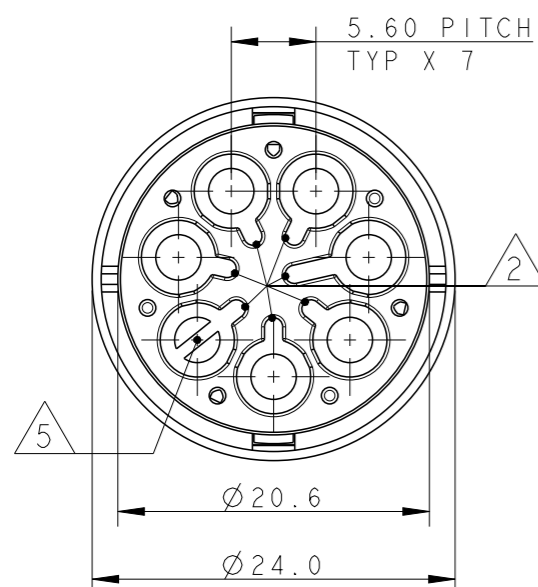
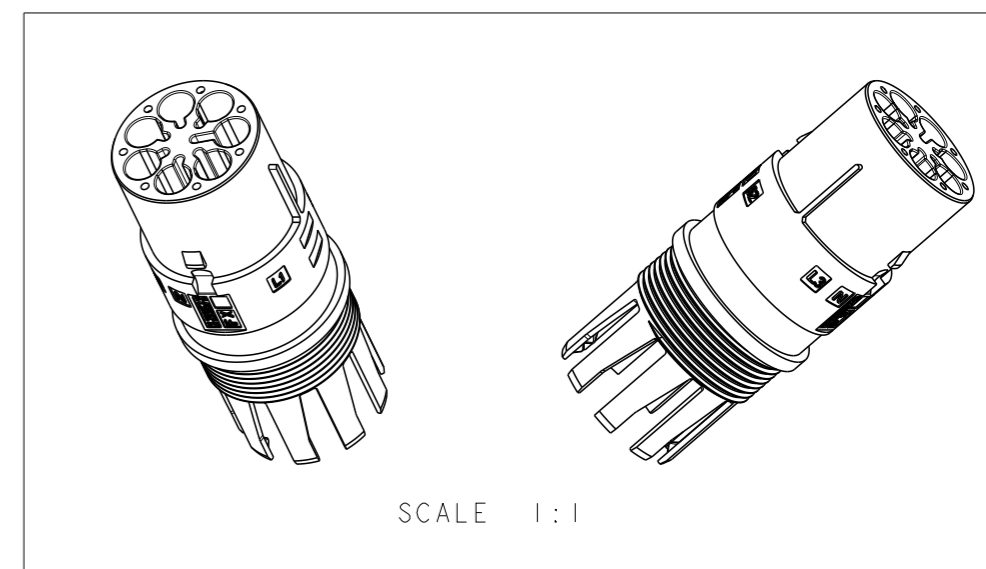
ALL RIGHTS RESERVED.


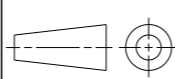
LOC	DIST	REVISIONS					
		P	LTR	DESCRIPTION	DATE	DWN	APVD
1	-	6		UPDATED	23JUL2013	MZ	JC
		7		REVISED LATCH SHAPE	05AUG2013	KR	JC
		A		PARTS RELEASED FOR PRODUCTION	13NOV2013	KR	JC
		AI		ECR-18-006945	31MAY2018	SR	MZ



NOTES:

- 1 MATERIAL: PA GF (NATURAL AND BLACK COLOUR)
- 2 ALL POLARIZATION KEYS SHOWN FOR REF ONLY
- 3 WAYS I.D.
- 4 VOLTAGE AND CURRENT RATINGS
- 5 RIB CLOSING CAVITY BY CHANGE OVER
- 6 TE LOGO
- 7 TE PART NUMBER
- 8 DATA CODE AND CAVITY I.D.
- 9 AREA FOR AGENCIES APPROVAL LOGO
- 10 VISUAL INDICATOR FOR PE CONDUCTOR
- 11 IP CODE



THIS DRAWING IS A CONTROLLED DOCUMENT.		DWN A. BERNARDI 31MAR2011	 <b>TE Connectivity</b>	
DIMENSIONS: mm		CHK M. ZUCCA 31MAR2011		
TOLERANCES UNLESS OTHERWISE SPECIFIED:		APVD G. TURCO 31MAR2011	NAME PIN HSG 6 POLES FREE HANGING NECTOR M-LINE UNSEALED VERSION	
		PRODUCT SPEC 108-20324	RESTRICTED TO	
MATERIAL NOTE 1		APPLICATION SPEC 114-20169	SIZE A300779	CAGE CODE C-293657
FINISH -		WEIGHT -	DRAWING NO	SCALE 2:1
		Customer Drawing	SHEET 1 OF 2	REV AI

THIS DRAWING IS UNPUBLISHED.

RELEASED FOR PUBLICATION

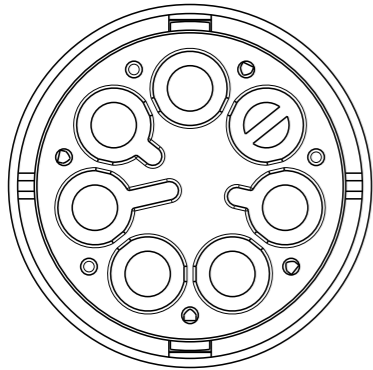
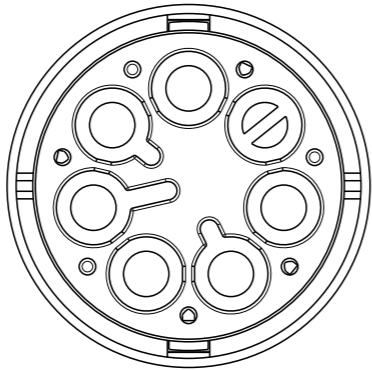
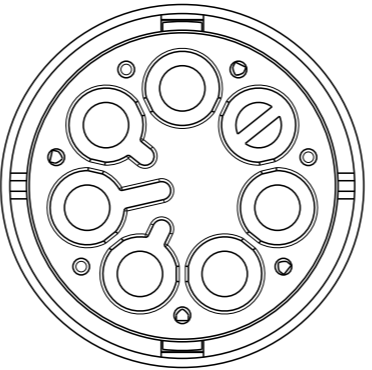
2011

© COPYRIGHT 2011 BY -

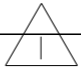
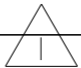




ALL RIGHTS RESERVED.

LOC	DIST	REVISIONS					
		P	LTR	DESCRIPTION	DATE	DWN	APVD
1	-	-	-	SEE SHEET 1	-	-	-

### POLARIZATION TYPES

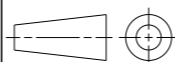
POLARIZATION TYPE "D"	POLARIZATION TYPE "E"	POLARIZATION TYPE "F"
		
PNs 0-293657-3 AND 0-293657-3	<del>PNs 0-293657-4 AND 0-293657-4</del>	<del>PNs 0-293657-5 AND 0-293657-5</del>

### TABLE 1

OBSOLETE		E	BLACK	PIN HSG 6 POLES FREE HANGING NECTOR* M-LINE	A	1-293657-5
		D	BLACK	PIN HSG 6 POLES FREE HANGING NECTOR* M-LINE	A	1-293657-4
		C	BLACK	PIN HSG 6 POLES FREE HANGING NECTOR* M-LINE	A	1-293657-3
OBSOLETE		E	NATURAL	PIN HSG 6 POLES FREE HANGING NECTOR* M-LINE	A	0-293657-5
		D	NATURAL	PIN HSG 6 POLES FREE HANGING NECTOR* M-LINE	A	0-293657-4
		C	NATURAL	PIN HSG 6 POLES FREE HANGING NECTOR* M-LINE	A	0-293657-3
<b>NOTE</b>	<b>POL. KEYING</b>	<b>COLOUR</b>	<b>DESCRIPTION</b>	<b>REV.</b>	<b>P/N</b>	

THIS DRAWING IS A CONTROLLED DOCUMENT.

DIMENSIONS:  
mm



MATERIAL NOTE 1

TOLERANCES UNLESS OTHERWISE SPECIFIED:

- 0 PLC ±
- 1 PLC ±0.3
- 2 PLC ±0.20
- 3 PLC ±
- 4 PLC ±
- ANGLES ±3°
- FINISH -

DWN A. BERNARDI 31MAR2011

CHK M. ZUCCA 31MAR2011

APVD G. TURCO 31MAR2011

PRODUCT SPEC

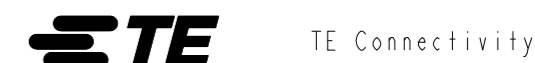
108-20324

APPLICATION SPEC

114-20169

WEIGHT -

Customer Drawing



NAME  
PIN HSG 6 POLES FREE HANGING NECTOR M-LINE UNSEALED VERSION

SIZE CAGE CODE DRAWING NO RESTRICTED TO

A300779 C-293657 -

SCALE 2:1 SHEET 2 OF 2 REV A1