

DWG. IO.
SD-35047-001

SIMILAR ITEM

PROJECT NO.

C

B

DO NOT SCALE DRAWING
DIMENSION IN METRIC

8 7 6 5 4 3 2 1

F

E

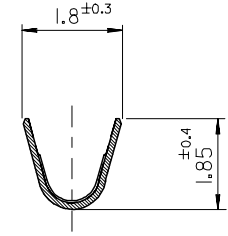
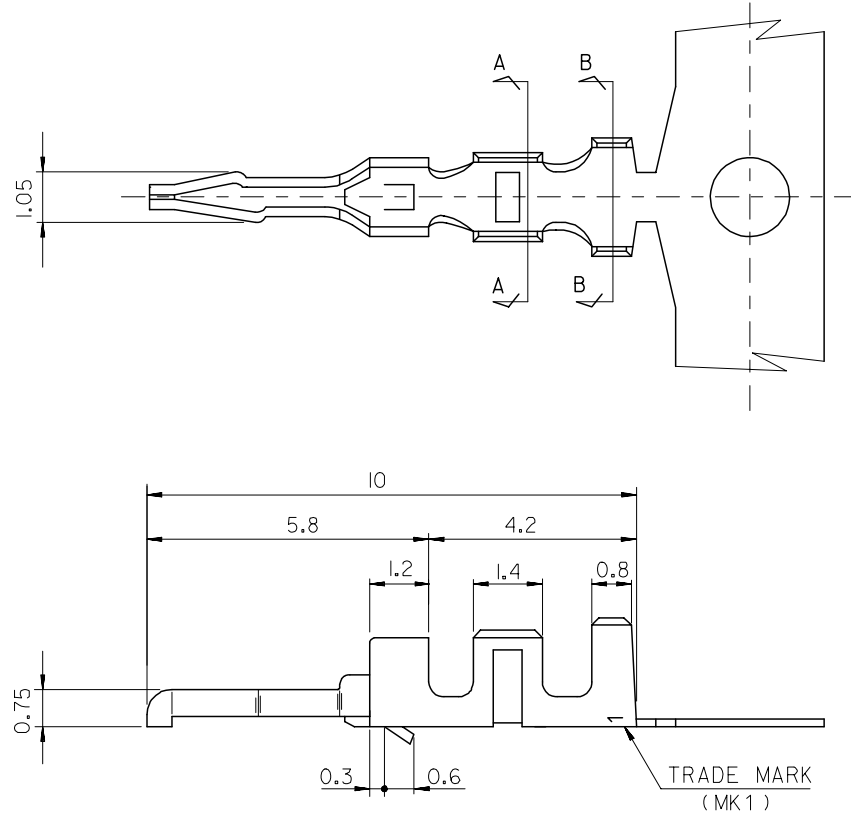
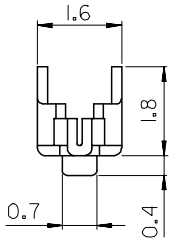
D

C

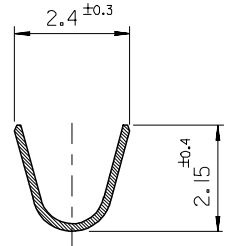
B

A

MX-A3



SECT. A-A



SECT. B-B

PRE-PLATING	350479802	35047-9802
POST-PLATING	350479810	35047-9810
PLATING	MAT'L NO.	ENG NO.

- NOTE
- MATERIAL : BRASS
 - FINISHES
 - PRE-PLATING:TIN(Sn) 0.9µM MIN OVER Cu 0.5 µM MIN.
 - POST PLATING:TIN 1±3µM MIN OVER NI 1±3µM.
 - P.C BOARD HOLE : $\varnothing 1.0^{+0.05}$
 - P.C BOARD THICKNESS : 1.6
 - USED WITH HOUSING:35164-***0*
 - PRODUCT SPECIFICATION : PS-35047-002

LEAD FREE

REVISED EC NO. KOR2005-0197 DRWN: D.Y. JANG (05/05/02) CHK: Y.SIK-KIM APPR: C.W.LEE	DESCRIPTION REV	QUALITY SYMBOLS MAJOR = CRITICAL =	GENERAL TOLERANCES: (UNLESS SPECIFIED)		SCALE 10/1	DESIGN UNITS <input checked="" type="checkbox"/> MM <input type="checkbox"/> INCH	THIRD ANGLE PROJECTION 	DIMENSIONS: <input type="checkbox"/> MM <input type="checkbox"/> INCH <input type="checkbox"/> MM <input checked="" type="checkbox"/> ONLY	SHT REV		
		4 PLACES ±0. ±.	3 PLACES ±0. ±.	2 PLACES ±0.3 ±.	1 PLACE ±0.3 ±.	ANGULAR: ± 2°	DRAWN BY & DATE D.J.KIM 93/12/6	CHECKED BY & DATE J.K.OH	APPROVED BY & DATE C.W.LEE	CAD FILENAME SD35047.DGN	MATERIAL NO. SEE TABLE
DRAFT WHERE APPLICABLE MUST REMAIN WITHIN DIMENSIONS			THIS DRAWING CONTAINS INFORMATION THAT IS PROPRIETARY TO MOLEX INCORPORATED AND SHOULD NOT BE USED WITHOUT WRITTEN PERMISSION.							SIZE B	

TITLE:
2.5 BOARD IN CONN.
TERMINAL -LEAD FREE-
 MOLEX INCORPORATED
KOREA