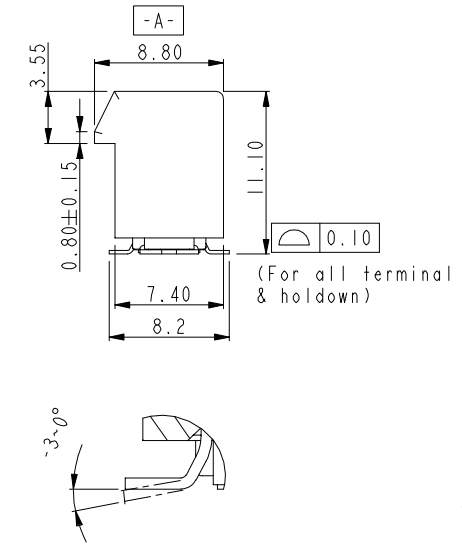
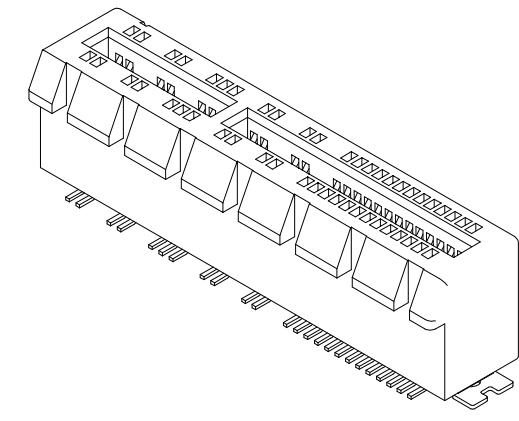
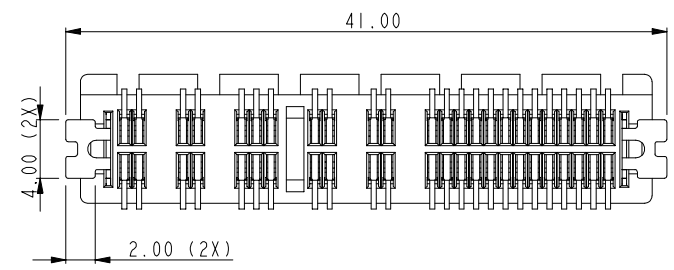
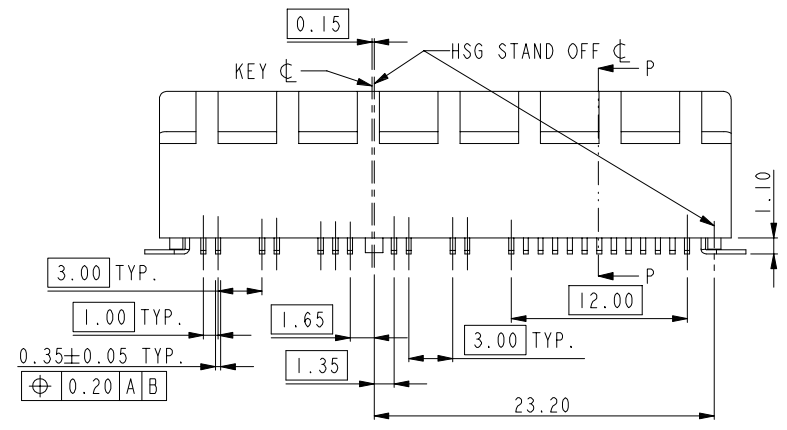
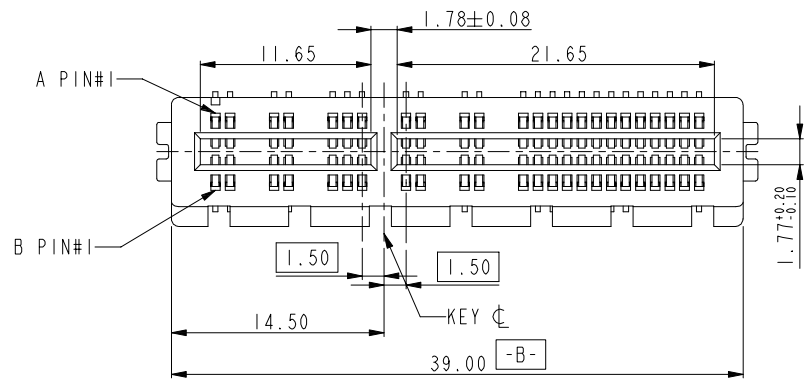
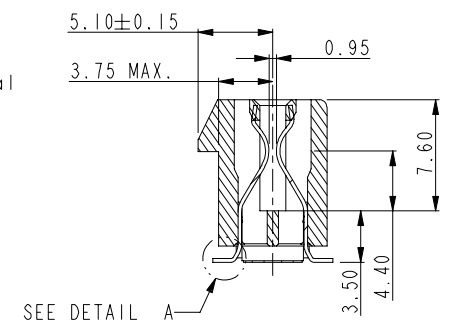




Copyright FCI.



DETAIL A
SCALE 6.000



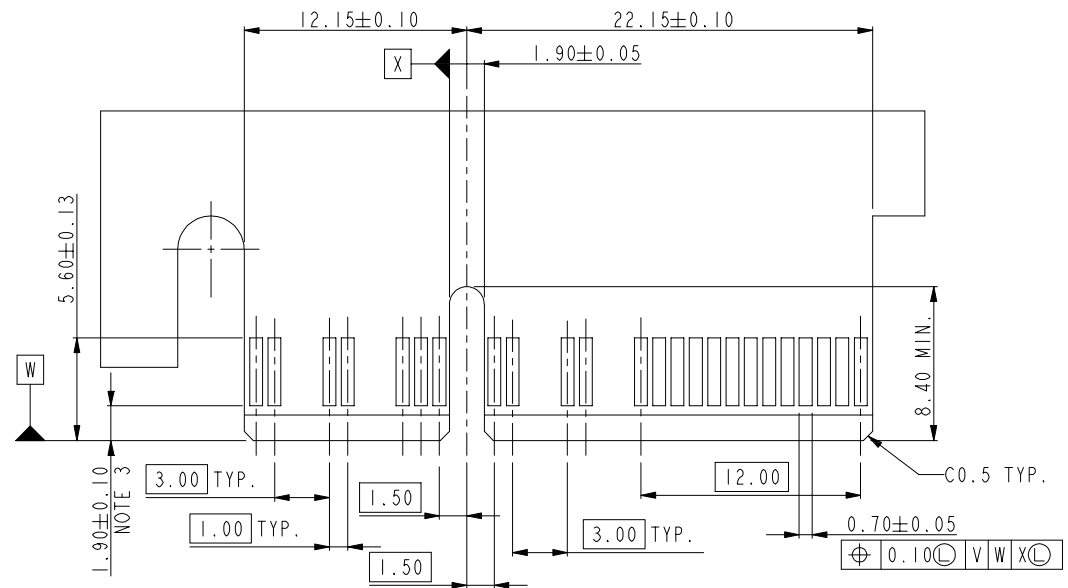
SECTION P-P
SCALE 2.000

rev	ecn no	dr	date
A	T07-1064	RC	05/08/2007
B	ELX-06-21161-1	ST	05/27/15
-	-	-	-
-	-	-	-
-	-	-	-

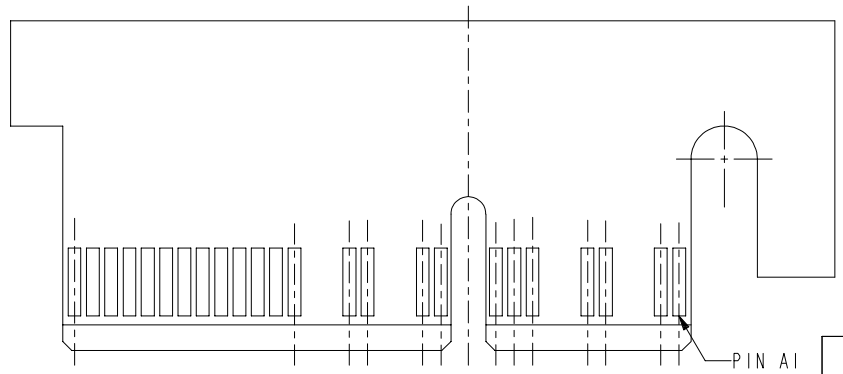
www.fciconnect.com		surface <input checked="" type="checkbox"/>	tolerance std	projection	MM
		TOLERANCES UNLESS OTHERWISE SPECIFIED			
Dr	STONE LI	05/27/15	ANGULAR	0.X ±0.30	size A4
Eng	STONE LI	05/27/15	LINEAR	0.XX ±0.25	Scale 1.000
Chr	/	/	0° ±5°	0.XXX ±0.10	ECN /
Appr	PM ZHENG	05/27/15	Product family		Spec ref
		title PCIE 48P POST-FREE TYPE GEN3		dhg no 10078877	Rev. B
		CONNECTOR			
		catalog no		CUSTOMER	sheet 1 of 4



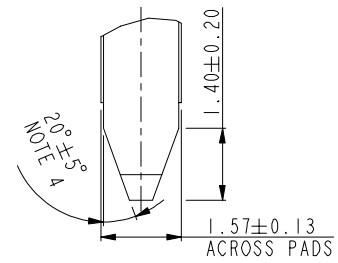
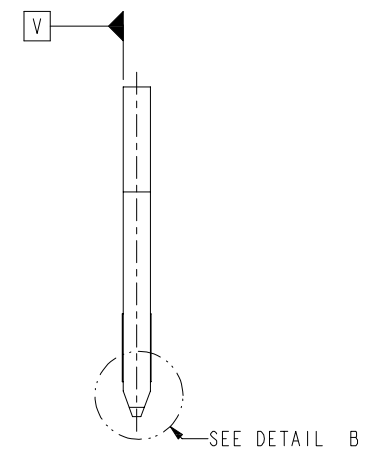
Copyright FCI.



← I/O PANEL DIRECTION
PRIMARY (COMPONENT) SIDE



→ I/O PANEL DIRECTION
SECONDARY SOLDER SIDE

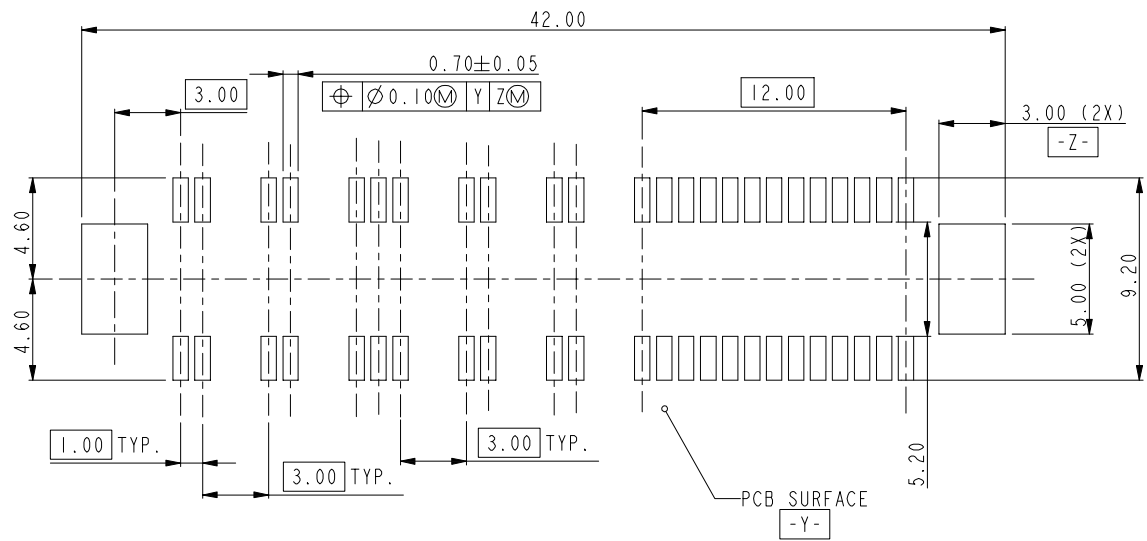


DETAIL B
SCALE 7.000

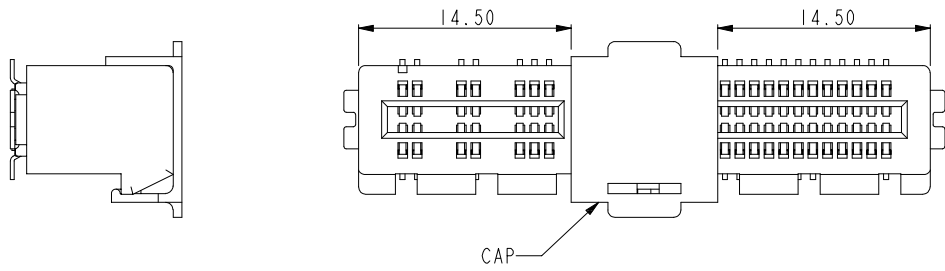
www.fciconnect.com			surface <input checked="" type="checkbox"/>	tolerance std	projection	MM
			TOLERANCES UNLESS OTHERWISE SPECIFIED			↔
Dr	STONE LI	05/27/15	ANGULAR	LINEAR	size	Scale
Eng	STONE LI	05/27/15	0°	0.X ±0.30	A4	1.000
Chr	/	/	±5°	0.XX ±0.20	ECN	/
Appr	PM ZHENG	05/27/15	Product family		Spec ref	
			title PCIE 48P POST-FREE TYPE GEN3 CONNECTOR		dwg no 10078877 Rev. B	catalog no CUSTOMER sheet 2 of 4



Copyright FCI.



CAP POSITION



www.fciconnect.com			surface <input checked="" type="checkbox"/>	tolerance std	projection	MM		
			TOLERANCES UNLESS OTHERWISE SPECIFIED					
Dr	STONE LI	05/27/15	ANGULAR	LINEAR	0.X	±0.30	size A4	Scale 1.000
Eng	STONE LI	05/27/15			0.XX	±0.20		
Chr	/	/	0°	±5°	0.XXX	±0.10	ECN	/
Appr	PM ZHENG	05/27/15	Product famil			Spec ref		
	title PCIE 48P POSI-FREE 1YPE GEN3			dwg no	10078877		Rev. B	
	CONNECTOR				CUSTOMER	sheet 3 of 4		
	catalog no							



Copyright FCI.

NOTES:

1. MATERIAL:
HOUSING: HIGH TEMPERATURE NYLON, GLASS FILLED UL94V-0
RATE. SUITABLE FOR REFLOW SOLDERING.
TERMINAL: COPPER ALLOY
PLATING: 50u" NICKEL UNDERPLATE ALL OVER
CONTACT AREA PLATING - SEE PRODUCT NUMBER CODE
SOLDER TAIL: TIN - 100u" MIN. OVER 50u" NICKEL.(SEE PRODUCT NUMBER CODE)
2. PRODUCT SPECIFICATION: GS-12-390
3. NO TIE BAR PERMITTED FROM CARD EDGE TO LEADING EDGE OF PAD FOR PINS A1 AND PIN NUMBERS "F".
4. CHAMFER EDGES MUST BE FREE OF CUTTING BURRS.
5. RoHS COMPATIBLE PRODUCT SPECIFICATIONS
a-PLATING:
-"LF" MEANS THE PRODUCT IS LEAD-FREE, 2um MINIMUM MATTE TIN OVER 1.27um MINIMUM NICKEL UNDERPLATE.
b-MANUFACTURING PROCESS COMPATIBILITY
-THE HOUSING WILL WITHSTAND EXPOSURE TO 260°C±5°C PEAK TEMPERATURE FOR 5 SECONDS IN A CONVECTION, INFRA-RED OR VAPOR PHASE REFLOW OVEN.

PRODUCT NUMBER CODE: 10078877 - X X X X L F

HOUSING COLOR OPTIONS
1-BLACK

TERMINAL PLATING OPTIONS
0-50u" Ni UNDERPLATE
30u" Au CONTACT AREA
100u" TIN TAIL AREA -----COMPATIBLE RoHS
1-50u" Ni UNDERPLATE
15u" Au CONTACT AREA
100u" TIN TAIL AREA -----COMPATIBLE RoHS
2-50u" Ni UNDERPLATE
GOLD FLASH CONTACT AREA
100u" TIN TAIL AREA -----COMPATIBLE RoHS

LEAD FREE OPTION

PACKAGING OPTIONS
T-TRAY PACKAGING WITHOUT CAP
C-TRAY PACKAGING WITH CAP

RESERVED
0

www.fciconnect.com			surface <input checked="" type="checkbox"/>	tolerance std	projection	MM		
			TOLERANCES UNLESS OTHERWISE SPECIFIED			← →		
Dr	STONE LI	05/27/15	ANGULAR	LINEAR	0.X	±0.30	size A4	Scale 1.000
Eng	STONE LI	05/27/15			0.XX	±0.20		
Chr	/	/	0°	±5°	0.XXX	±0.10	ECN	/
Appr	PM ZHENG	05/27/15	Product family			Spec ref		
			PCIE 48P POST-FREE TYPE GEN3 CONNECTOR			dhg no 10078877	Rev. B	
			catalog no		CUSTOMER		sheet 4 of 4	